

INTERNATIONAL
STANDARD

ISO
3377-2

IULTCS/IUP
8

First edition
2002-12-15

**Leather — Physical and mechanical
tests — Determination of tear load —**

**Part 2:
Double edge tear**

*Cuir — Essais physiques et mécaniques — Détermination de la force
de déchirement*
Partie 2: Déchirement des deux bords

ISO 3377-2:2002

<https://standards.iteh.ai/catalog/standards/sist/59160bec-8fd9-452c-b3ef-7e96493e7ce/iso-3377-2-2002>



Reference number
ISO 3377-2:2002(E)
IULTCS/IUP 8

© ISO 2002

PDF disclaimer

This PDF file may contain embedded typefaces. In accordance with Adobe's licensing policy, this file may be printed or viewed but shall not be edited unless the typefaces which are embedded are licensed to and installed on the computer performing the editing. In downloading this file, parties accept therein the responsibility of not infringing Adobe's licensing policy. The ISO Central Secretariat accepts no liability in this area.

Adobe is a trademark of Adobe Systems Incorporated.

Details of the software products used to create this PDF file can be found in the General Info relative to the file; the PDF-creation parameters were optimized for printing. Every care has been taken to ensure that the file is suitable for use by ISO member bodies. In the unlikely event that a problem relating to it is found, please inform the Central Secretariat at the address given below.

iTeh STANDARD PREVIEW
(standards.iteh.ai)

ISO 3377-2:2002

<https://standards.iteh.ai/catalog/standards/sist/59160bec-8fd9-452c-b3ef-7e96493e7ce/iso-3377-2-2002>

© ISO 2002

All rights reserved. Unless otherwise specified, no part of this publication may be reproduced or utilized in any form or by any means, electronic or mechanical, including photocopying and microfilm, without permission in writing from either ISO at the address below or ISO's member body in the country of the requester.

ISO copyright office
Case postale 56 • CH-1211 Geneva 20
Tel. + 41 22 749 01 11
Fax + 41 22 749 09 47
E-mail copyright@iso.org
Web www.iso.org

Published in Switzerland

Contents

	Page
Foreword.....	iv
1 Scope	1
2 Normative references	1
3 Principle	1
4 Apparatus	1
5 Sampling and sample preparation	2
6 Procedure	2
7 Test report	3

iTeh STANDARD PREVIEW (standards.iteh.ai)

ISO 3377-2:2002

<https://standards.iteh.ai/catalog/standards/sist/59160bec-8fd9-452c-b3ef-7e96493e7ce/iso-3377-2-2002>

Foreword

ISO (the International Organization for Standardization) is a worldwide federation of national standards bodies (ISO member bodies). The work of preparing International Standards is normally carried out through ISO technical committees. Each member body interested in a subject for which a technical committee has been established has the right to be represented on that committee. International organizations, governmental and non-governmental, in liaison with ISO, also take part in the work. ISO collaborates closely with the International Electrotechnical Commission (IEC) on all matters of electrotechnical standardization.

International Standards are drafted in accordance with the rules given in the ISO/IEC Directives, Part 2.

The main task of technical committees is to prepare International Standards. Draft International Standards adopted by the technical committees are circulated to the member bodies for voting. Publication as an International Standard requires approval by at least 75 % of the member bodies casting a vote.

Attention is drawn to the possibility that some of the elements of this document may be the subject of patent rights. ISO shall not be held responsible for identifying any or all such patent rights.

ISO 3377-2 was prepared by the Physical Test Commission of the International Union of Leather Technologists and Chemists Societies (IUP Commission, IULTCS) in collaboration with the European Committee for Standardization (CEN) Technical Committee CEN/TC 289, *Leather*, the secretariat of which is held by UNI, in accordance with the Agreement on technical cooperation between ISO and CEN (Vienna Agreement). It is based on IUP 8 originally published in *J. Soc. Leather Trades Chemists* **44**, p. 368, (1960) and declared an official method of the IULTCS in 1961. This updated version was published in *J. Soc. Leather Tech. Chem.* **84**, p. 327, (2000) and reconfirmed as an official method in March 2001. The same principle is used but the text has been updated and includes the number of test pieces to be taken. [ISO 3377-2:2002](https://standards.iteh.ai/catalog/standards/sist/59160bec-8fd9-452c-b3ef)

Together with part 1 (see below), this part of ISO 3377 cancels and replaces ISO 3377:1975, which has been technically revised.

ISO 3377 consists of the following parts, under the general title *Leather — Physical and mechanical tests — Determination of tear load*:

- *Part 1: Single edge tear*
- *Part 2: Double edge tear*

Leather — Physical and mechanical tests — Determination of tear load —

Part 2: Double edge tear

1 Scope

This part of ISO 3377 specifies a method for determining the tear strength of leather using a double edged tear. The method is sometimes described as the Baumann tear. It is applicable to all types of leather.

2 Normative references

The following referenced documents are indispensable for the application of this document. For dated references, only the edition cited applies. For undated references, the latest edition of the referenced document (including any amendments) applies.

- ISO 2418 *Leather - Chemical, physical and mechanical and fastness tests - Sampling location*
- ISO 2419 *Leather - Physical and mechanical tests - Sample preparation and conditioning*
- ISO 2589 *Leather - Physical and mechanical tests - Determination of thickness*
- ISO 7500-1 *Metallic materials - Verification of static uniaxial testing machines - Part 1: Tension/compression testing machines - Verification and calibration of the force-measuring system*

3 Principle

A rectangular test piece with a hole of specified shape is placed over the turned up ends of a pair of holders attached to the jaws of a tensile testing machine. The highest force exerted during tearing of the test piece is recorded.

4 Apparatus

4.1 Tensile testing machine, with:

- a force range appropriate to the specimen under test;
- a means of recording the force to an accuracy of at least 2% as specified by Class 2 of ISO 7500-1;
- a uniform speed of separation of the jaws of 100 mm/min \pm 20 mm/min.

4.2 Test piece holders, such as shown in figure 1, each consisting of a strip of steel 10 mm \pm 0,1 mm wide and 2 mm \pm 0,1 mm thick, bent through a right angle at one end to form a rigid strip with a minimum length of 12 mm \pm 0,1 mm. The holders either fit into or replace the jaws of the tensile testing machine (4.1).

4.3 Thickness gauge, as specified in ISO 2589.

4.4 Press knife, as specified in ISO 2419, capable of cutting a test piece as shown in figure 2 in one operation. All parts of the press knife shall lie in the same plane.

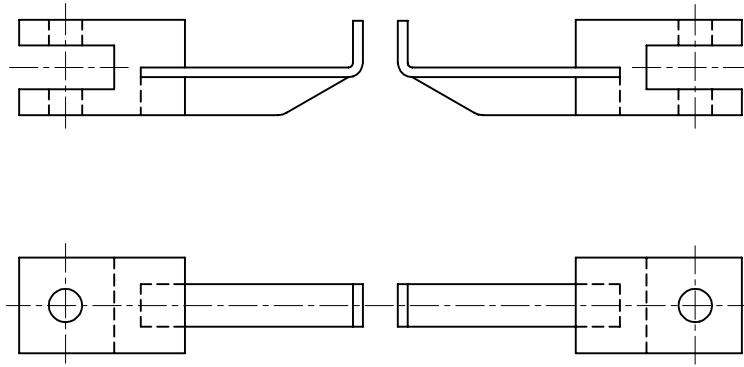
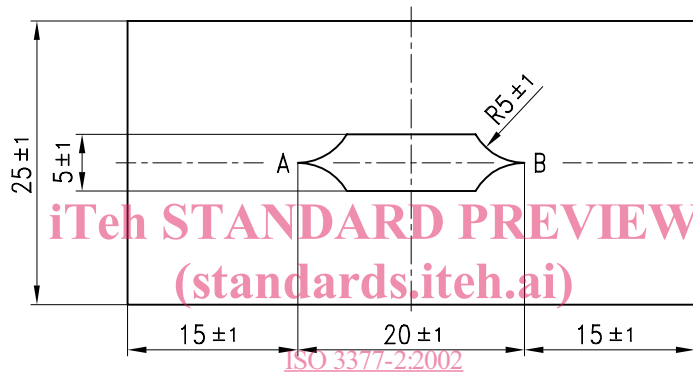


Figure 1 — Test piece holders



<https://standards.iteh.ai/catalog/standards/sist/59160bec-8fd9-452c-b3ef-7ef96493e72e/iso-3377-2-2002>

Figure 2 — Test piece for double edge tear (all dimensions in millimetres ± 1 mm, R=radius)

5 Sampling and sample preparation

5.1 Sample in accordance with ISO 2418. From the sample, cut 6 test pieces in accordance with ISO 2419, 3 test pieces with the longer sides parallel to the backbone and 3 test pieces with the longer sides perpendicular to the backbone.

NOTE If there is a requirement for more than two hides or skins to be tested in one batch, then only one test piece in each direction need be taken from each hide or skin, provided that the overall total is not less than three test pieces in each direction.

5.2 Condition the test pieces in accordance with ISO 2419.

5.3 Measure the thickness of the test pieces in accordance with ISO 2589.

6 Procedure

6.1 Adjust the apparatus so that the turned up ends of the test piece holders are lightly touching each other. Slip the test piece over the turned up ends so that the ends protrude through the slot with the width of the turned up ends parallel to the straight edges of the slot. Press the test piece firmly onto the holders.

6.2 Run the tensile test machine until the test piece is torn apart and record the maximum force reached during tearing.

6.3 Repeat 6.1 and 6.2 for other test pieces.

7 Test report

The test report shall include the following:

- a) reference to this part of ISO 3377, i.e. ISO 3377-2:2002;
- b) the thickness of the leather in mm;
- c) the mean tear load in Newtons (N) with the long edge of the test piece cut parallel to the backbone;
- d) the mean tear load in Newtons (N) with the long edge of the test piece cut perpendicular to the backbone;
- e) the average tear load (i.e., the arithmetic mean of c and d);
- f) the standard atmosphere used for conditioning and testing, as given in ISO 2419 (i.e. 20 °C/65 % relative humidity, or 23 °C/50 % relative humidity);
- g) any deviations from the method specified in this part of ISO 3377;
- h) full details for identification of the sample and any deviations from ISO 2418 with respect to sampling.

iTeh STANDARD PREVIEW
(standards.iteh.ai)

[ISO 3377-2:2002](https://standards.iteh.ai/catalog/standards/sist/59160bec-8fd9-452c-b3ef-7e96493e7ce/iso-3377-2-2002)

<https://standards.iteh.ai/catalog/standards/sist/59160bec-8fd9-452c-b3ef-7e96493e7ce/iso-3377-2-2002>

iTeh STANDARD PREVIEW
(standards.iteh.ai)

ISO 3377-2:2002

<https://standards.iteh.ai/catalog/standards/sist/59160bec-8fd9-452c-b3ef-7e96493e7ce/iso-3377-2-2002>

ICS 59.140.30

Price based on 3 pages