



SLOVENSKI STANDARD
SIST EN 1253-2:2015

01-marec-2015

Nadomešča:

SIST EN 1253-1:2003

SIST EN 1253-2:2004

Odtoki v stavbah - 2. del: Strešni vtočniki in talni odtoki brez smradne zapore

Gullies for buildings - Part 2: Roof drains and floor gullies without trap

Abläufe für Gebäude - Teil 2: Dachabläufe und Bodenabläufe ohne Geruchverschluss

Avaloirs et siphons pour bâtiments - Partie 2 : Avaloirs de toiture et avaloirs/siphons de sol sans garde d'eau

Ta slovenski standard je istoveten z: EN 1253-2:2015

[SIST EN 1253-2:2015](https://standards.sist.net/catalog/standards/sist/5476c19d-c895-44cc-9d71-c01855ac27cc/sist-en-1253-2-2015)

<https://standards.sist.net/catalog/standards/sist/5476c19d-c895-44cc-9d71-c01855ac27cc/sist-en-1253-2-2015>

ICS:

91.140.80 Drenažni sistemi Drainage systems

SIST EN 1253-2:2015

en,fr,de

EUROPEAN STANDARD

EN 1253-2

NORME EUROPÉENNE

EUROPÄISCHE NORM

January 2015

ICS 91.140.80

Supersedes EN 1253-1:2003, EN 1253-2:2003

English Version

Gullies for buildings - Part 2: Roof drains and floor gullies without trap

Avaloirs et siphons pour bâtiments - Partie 2 : Avaloirs de toiture et avaloirs/siphons de sol sans garde d'eau

Abläufe für Gebäude - Teil 2: Dachabläufe und Bodenabläufe ohne Geruchverschluss

This European Standard was approved by CEN on 22 November 2014.

CEN members are bound to comply with the CEN/CENELEC Internal Regulations which stipulate the conditions for giving this European Standard the status of a national standard without any alteration. Up-to-date lists and bibliographical references concerning such national standards may be obtained on application to the CEN-CENELEC Management Centre or to any CEN member.

This European Standard exists in three official versions (English, French, German). A version in any other language made by translation under the responsibility of a CEN member into its own language and notified to the CEN-CENELEC Management Centre has the same status as the official versions.

CEN members are the national standards bodies of Austria, Belgium, Bulgaria, Croatia, Cyprus, Czech Republic, Denmark, Estonia, Finland, Former Yugoslav Republic of Macedonia, France, Germany, Greece, Hungary, Iceland, Ireland, Italy, Latvia, Lithuania, Luxembourg, Malta, Netherlands, Norway, Poland, Portugal, Romania, Slovakia, Slovenia, Spain, Sweden, Switzerland, Turkey and United Kingdom.

Document Preview

[SIST EN 1253-2:2015](https://standards.iteh.ai/catalog/standards/sist/3470c19d-e893-44ec-9d71-e61b55ae27ce/sist-en-1253-2-2015)

<https://standards.iteh.ai/catalog/standards/sist/3470c19d-e893-44ec-9d71-e61b55ae27ce/sist-en-1253-2-2015>



EUROPEAN COMMITTEE FOR STANDARDIZATION
COMITÉ EUROPÉEN DE NORMALISATION
EUROPÄISCHES KOMITEE FÜR NORMUNG

CEN-CENELEC Management Centre: Avenue Marnix 17, B-1000 Brussels

Contents

	Page
Foreword.....	3
1 Scope	4
2 Normative references	4
3 Terms and definitions	4
4 Requirements	9
4.1 Design and construction.....	9
4.2 Places of installation	10
4.3 Materials	11
4.4 Watertightness	11
4.5 Mechanical strength	11
4.6 Flow rates	11
4.7 Additional requirements in relation to the installation	13
5 Test methods.....	15
5.1 Dimensions of apertures in gratings	15
5.2 Water tightness for roof drain and floor gully bodies and extensions	15
5.3 Loading test.....	15
5.4 Mechanical strength	19
5.5 Flow rates	20
5.6 Tightness of roof drains and floor gullies for use with sheet floor coverings, membranes or liquid applied membranes	30
5.7 Behaviour when exposed to hot bitumen or asphalt	31
5.8 Determination of resistance in climatic influences	31
5.9 Temperature cycling test	32
6 Allocation and sequence of tests.....	32
7 Marking	32
8 Evaluation of conformity.....	33
Annex A (normative) Sequence of the tests.....	34
Annex B (informative) A-deviation.....	35
Bibliography	36

Foreword

This document (EN 1253-2:2015) has been prepared by Technical Committee CEN/TC 165 "Waste water engineering", the secretariat of which is held by DIN.

This European Standard shall be given the status of a national standard, either by publication of an identical text or by endorsement, at the latest by July 2015 and conflicting national standards shall be withdrawn at the latest by July 2015.

Attention is drawn to the possibility that some of the elements of this document may be the subject of patent rights. CEN [and/or CENELEC] shall not be held responsible for identifying any or all such patent rights.

This document, together with EN 1253-1:2015, supersedes EN 1253-1:2003 and EN 1253-2:2003.

This is the second part in EN 1253, a series of standards relating to floor gullies, roof drains and access covers for drainage systems inside buildings. The EN 1253 series under the main title *Gullies for buildings* will actually consist of the following parts:

- *Part 1: Trapped floor gullies with a depth of water seal of at least 50 mm;*
- *Part 2: Roof drains and floor gullies without trap;*
- *Part 3: Evaluation of conformity;*
- *Part 4: Access covers;*
- *Part 5: Gullies with light liquids closure.*

Since the latest versions of EN 1253-1 and EN 1253-2 the most significant technical changes are the following:

- a) reduction of scope on roof outlets and floor gullies without trap including parapet and emergency drains for use in gravity and siphonic drainage systems;
- b) more definitive description of products;
- c) modification of terms and definitions;
- d) precision in definition of places of installation;
- e) consideration of liquid applied membranes as connecting components;
- f) precision of test conditions for flow rate testing for different types of products;
- g) revision of loading test concerning test loads, loading speed as well as shape, size and point of impact of test blocks in dependence on different configuration of gratings;
- h) introduction of classification of products concerning their temperature cycling behavior according to number of hot/cold water cycles.

According to the CEN-CENELEC Internal Regulations, the national standards organizations of the following countries are bound to implement this European Standard: Austria, Belgium, Bulgaria, Croatia, Cyprus, Czech Republic, Denmark, Estonia, Finland, Former Yugoslav Republic of Macedonia, France, Germany, Greece, Hungary, Iceland, Ireland, Italy, Latvia, Lithuania, Luxembourg, Malta, Netherlands, Norway, Poland, Portugal, Romania, Slovakia, Slovenia, Spain, Sweden, Switzerland, Turkey and the United Kingdom.

EN 1253-2:2015 (E)

1 Scope

This European Standard classifies roof drains and floor gullies without trap for use inside buildings, gives guidance for places of installation and specifies requirements for the construction, design, performance and marking as well as test methods of factory made roof drains and floor gullies without trap (further: floor gullies) for buildings, irrespective of the material for use in drainage systems.

Although normally used to convey rainwater and wastewater, these roof drains and floor gullies without trap may convey other wastewater provided there is no risk of damage to components or of injury to health.

This European Standard does not apply to trapped floor gullies with a depth of water seal of at least 50 mm as specified in EN 1253-1.

2 Normative references

The following documents, in whole or in part, are normatively referenced in this document and are indispensable for its application. For dated references, only the edition cited applies. For undated references, the latest edition of the referenced document (including any amendments) applies.

EN 124, *Gully tops and manhole tops for vehicular and pedestrian areas — Design requirements, type testing, marking, quality control*

EN 476, *General requirements for components used in drains and sewers*

EN 1253-3, *Gullies for buildings — Part 3: Evaluation of conformity*

3 Terms and definitions

For the purposes of this document, the following terms and definitions apply.

<https://standards.iteh.ai/catalog/standards/sist/3470c19d-e893-44ec-9d71-e61b55ae27ce/sist-en-1253-2-2015>

3.1

roof drain

non-trapped discharge fitting for the drainage of surface water from roof, balcony and terrace surfaces via a rainwater connecting pipe

Note 1 to entry: See Figure 1.

Note 2 to entry: A roof drain can include an anti-vortex device.

3.2

parapet drain

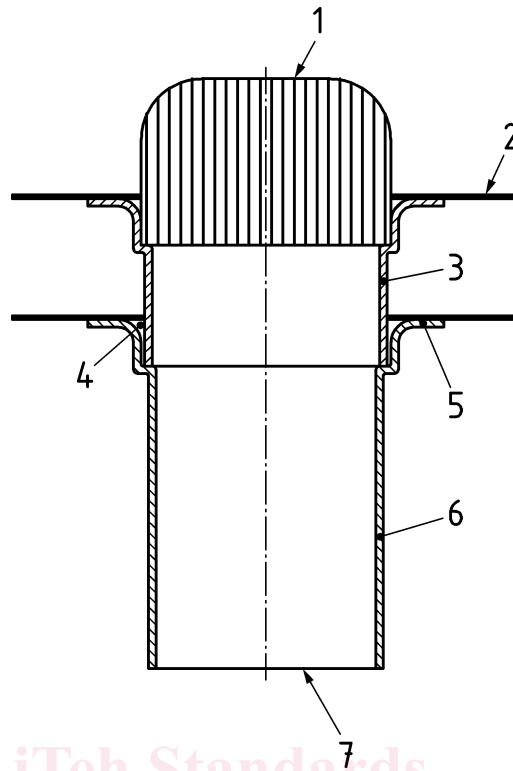
roof drain for the drainage of flat roofs and roof terraces with a fascia which penetrates the fascia

Note 1 to entry: See Figure 2.

3.3

emergency drain

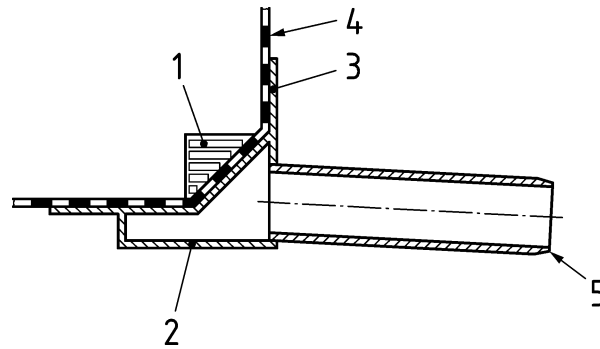
roof drain for emergency drainage in the form of a roof, parapet or gutter outlet with or without a rainwater connection pipe

**Key**

- 1 grating/frame, leaf/gravel trap
- 2 liquid applied roof waterproofing kit or flexible sheet for waterproofing
- 3 extension
- 4 seal
- 5 connecting flange
- 6 body
- 7 outlet

Figure 1 — Roof drain (example)

EN 1253-2:2015 (E)

**Key**

- 1 grating
- 2 body
- 3 connecting flange
- 4 liquid applied roof waterproofing kit or flexible sheet for waterproofing
- 5 outlet (round or rectangular)

Figure 2 — Parapet drain (example)

3.4**gravity drainage system**

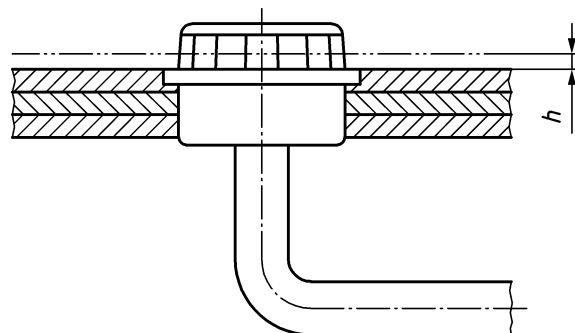
system where flow is caused by gravity and where the pipe normally operates partially full

3.5**siphonic drainage system**

system for drainage of rainwater in which the outlets and pipework enable the system to flow completely full under design conditions and make use of the total height available between the outlets and the point of change to partially filled flow

3.6**head of water**

depth h of a water line over the spill edge of the roof drain or floor gully as shown in Figure 3

**Key**

- h head of water

Figure 3 — Head of water

3.7**grating**

removable component with apertures which permit the discharge of water

3.8**frame**

support for a grating or cover which is connected to a body either directly or by means of a flexible sheet for waterproofing clamping ring or an extension

3.9**cover**

removable part of an access cover which covers the opening

3.10**body**

part of a roof drain or floor gully below or in the floor, ground or roof on which the grating/frame/extension is mounted, and to which the pipework is connected

3.11**extension**

component used to adjust the height of a grating or cover above a body

3.12**joint**

connection between the adjacent ends of two components including the means of sealing

3.13**flexible sheet for waterproofing clamping ring**

component used to clamp a flexible sheet for waterproofing to a body or extension

3.14**connecting flange**

separate or an integral part of a body or of an extension which receives a flexible sheet for waterproofing or the liquid applied roof waterproofing kit

3.15**external diameter****OD**

mean external diameter of the pipe barrel at any cross section

3.16**internal diameter****ID**

mean internal diameter of the pipe barrel at any cross section

3.17**liquid applied roof waterproofing kit****LARWK**

particular combination of a defined set of components to be installed in liquid form for roof waterproofing by application and/or incorporation and/or joining of the components in accordance with particular design methods

Note 1 to entry: The liquid applied watertight covering is usually a paste-like composite material or a combination of separate materials that can be poured, spread or sprayed on the subsurface by brush, roller or similar suitable applicator.

3.18**flexible sheet for waterproofing**

factory made sheet for prevention of passage of water from the plane to another which can be rolled up or folded for easy transport to the site

EN 1253-2:2015 (E)**3.19****untrafficked roof**

roof consisting of the structural deck and all the layers on it, including waterproofing, insulation and a surface protective layer not designed for foot traffic above that required for maintenance

3.20**pedestrian access roof**

roof consisting of the structural deck and all the layers on it, including waterproofing, insulation and a surface protective layer designed for foot traffic and gathering of people greater than that required for maintenance

3.21**green roof**

roof consisting of the structural deck and all the layers on it, including waterproofing, insulation and a thin layer of growing medium planted with vegetation

3.22**roof garden**

roof consisting of the structural deck and all the layers on it, including waterproofing, insulation and a substantial layer of growing medium planted with intensive vegetation and possibly paving

3.23**parking deck**

roof consisting of the structural deck and all the layers on it, including waterproofing, insulation and a surface protective layer designed to withstand and distribute loads produced by the traffic associated with the parking of vehicles

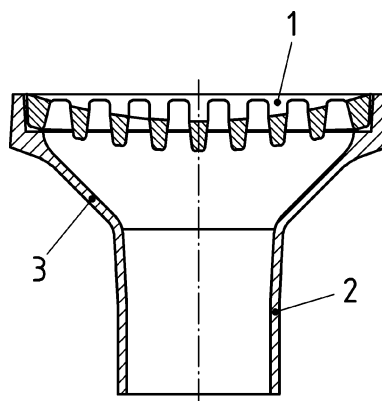
3.24**nominal size**

DN
numerical indication of size which is a convenient integer approximately equal to the internal diameter (DN/ID) or the external diameter (DN/OD) in millimetres

3.25**floor gully without trap**

discharge fitting the top of which is a grating or cover capable of installation at ground or floor level intended to receive wastewater through apertures in the grating

Note 1 to entry: See Figure 4.

**Key**

- 1 grating
- 2 outlet
- 3 body

Figure 4 — Floor gully without trap (typical example)

3.26**wastewater**

water composed of any combination of water discharged from domestic, industrial or commercial premises, surface run-off and accidentally any sewer infiltration water

[SOURCE: EN 16323:2014, 2.3.10.65]

3.27**surface water**

water from precipitation, which has not seeped into the ground and is discharged to the drain or sewer system directly from the ground or from exterior building surfaces

[SOURCE: EN 16323:2014, 2.1.1.3]

3.28**clear opening****CO**

diameter of the largest circle that can be inscribed within the unsupported area of the grating

3.29**test load**

specified load which a component is required to withstand

3.30**outlet**

male or female connection to the drainage pipe

4 Requirements**4.1 Design and construction****4.1.1 General**

[SIST EN 1253-2:2015](https://standards.iteh.ai/)

<https://standards.iteh.ai/catalog/standards/sist/3470c19d-e893-44ec-9d71-e61b55ae27ce/sist-en-1253-2-2015>

Roof drains and floor gullies shall be capable of being connected to the pipework system covered by relevant European Standards, and, when installed in accordance with the manufacturer's instructions, shall form an integral part of the building. There shall be no movement possible between the roof drain or floor gully and the floor or roof construction, which would impair the functioning of the installed roof drain or floor gully.

The upper surfaces of frame and grating shall be flush, except in untrafficked roof. When in position, it shall not be possible for gratings and covers to be dislodged from the frame, but they shall be easy to remove for maintenance and cleaning.

Roof drains and floor gullies shall be delivered with installation instructions.

All pipe joints to and from the roof drain or floor gully shall be designed to be watertight in accordance with EN 476.

4.1.2 Appearance

Internal and external surfaces shall be free from sharp edges and imperfections which could impair functioning of the gully or give risk of injury.

4.1.3 Apertures in gratings

Apertures can be holes or slots of any shape.