



SLOVENSKI STANDARD
SIST EN 14635:2010

01-november-2010

Nadomešča:
SIST EN 14635:2005

Steklena embalaža - Kronsko grlo 26 H 126 - Mere

Glass packaging - 26 H 126 crown finish - Dimensions

Verpackungen aus Glas - Kronenmundstück 26 H 126 - Maße

Emballages en verre - Bague couronne 26 H 126 - Dimensions

iTeh STANDARD PREVIEW
(standards.iteh.ai)

Ta slovenski standard je istoveten z: ~~SIST EN 14635:2010~~ EN 14635:2010

<https://standards.iteh.ai/catalog/standards/sist/2938fd21-88a1-4e3f-a874-68179bf1d984/sist-en-14635-2010>

ICS:

55.100 Steklenice. Lonci. Kozarci Bottles. Pots. Jars

SIST EN 14635:2010

en,fr,de

iTeh STANDARD PREVIEW
(standards.iteh.ai)

[SIST EN 14635:2010](#)

<https://standards.iteh.ai/catalog/standards/sist/2938fd21-88a1-4e3f-a874-68179bf4d984/sist-en-14635-2010>

EUROPEAN STANDARD

EN 14635

NORME EUROPÉENNE

EUROPÄISCHE NORM

June 2010

ICS 55.100

Supersedes EN 14635:2004

English Version

Glass packaging - 26 H 126 crown finish - DimensionsEmballages en verre - Bague couronne 26 H 126 -
DimensionsVerpackungen aus Glas - Kronenmundstück 26 H 126 -
Maße

This European Standard was approved by CEN on 5 May 2010.

CEN members are bound to comply with the CEN/CENELEC Internal Regulations which stipulate the conditions for giving this European Standard the status of a national standard without any alteration. Up-to-date lists and bibliographical references concerning such national standards may be obtained on application to the CEN Management Centre or to any CEN member.

This European Standard exists in three official versions (English, French, German). A version in any other language made by translation under the responsibility of a CEN member into its own language and notified to the CEN Management Centre has the same status as the official versions.

CEN members are the national standards bodies of Austria, Belgium, Bulgaria, Croatia, Cyprus, Czech Republic, Denmark, Estonia, Finland, France, Germany, Greece, Hungary, Iceland, Ireland, Italy, Latvia, Lithuania, Luxembourg, Malta, Netherlands, Norway, Poland, Portugal, Romania, Slovakia, Slovenia, Spain, Sweden, Switzerland and United Kingdom.

IT IS A STANDARD PREVIEW
(standards.iteh.ai)

SIST EN 14635:2010
<https://standards.iteh.ai/catalog/standards/sist/2938fd21-88a1-4e3f-a874-68179bf4d984/sist-en-14635-2010>



EUROPEAN COMMITTEE FOR STANDARDIZATION
COMITÉ EUROPÉEN DE NORMALISATION
EUROPÄISCHES KOMITEE FÜR NORMUNG

Management Centre: Avenue Marnix 17, B-1000 Brussels

Contents	Page
Foreword.....	3
Introduction	4
1 Scope	5
2 Normative references	5
3 Dimensions	5
Bibliography	10

iTeh STANDARD PREVIEW
(standards.iteh.ai)

SIST EN 14635:2010
<https://standards.iteh.ai/catalog/standards/sist/2938fd21-88a1-4e3f-a874-68179bf4d984/sist-en-14635-2010>

Foreword

This document (EN 14635:2010) has been prepared by Technical Committee CEN/TC 261 "Packaging", the secretariat of which is held by AFNOR.

This European Standard shall be given the status of a national standard, either by publication of an identical text or by endorsement, at the latest by December 2010, and conflicting national standards shall be withdrawn at the latest by December 2010.

Attention is drawn to the possibility that some of the elements of this document may be the subject of patent rights. CEN [and/or CENELEC] shall not be held responsible for identifying any or all such patent rights.

This document supersedes EN 14635:2004.

The main technical change from the previous edition is the introduction of a new figure related to the Point "P".

According to the CEN/CENELEC Internal Regulations, the national standards organizations of the following countries are bound to implement this European Standard: Austria, Belgium, Bulgaria, Croatia, Cyprus, Czech Republic, Denmark, Estonia, Finland, France, Germany, Greece, Hungary, Iceland, Ireland, Italy, Latvia, Lithuania, Luxembourg, Malta, Netherlands, Norway, Poland, Portugal, Romania, Slovakia, Slovenia, Spain, Sweden, Switzerland and the United Kingdom.

ITEH STANDARD PREVIEW
(standards.iteh.ai)

[SIST EN 14635:2010](https://standards.iteh.ai/catalog/standards/sist/2938fd21-88a1-4e3f-a874-68179bf4d984/sist-en-14635-2010)

<https://standards.iteh.ai/catalog/standards/sist/2938fd21-88a1-4e3f-a874-68179bf4d984/sist-en-14635-2010>

Introduction

This document is based on CE.T.I.E. (International Technical Centre for Bottling and related Packaging) data sheet GME 13.02 Revision 1 (2007) [1].

Efficient packaging is of great importance for the distribution and the protection of goods. Insufficient or inappropriate packaging can lead to damage or wastage of the contents of the pack.

iTeh STANDARD PREVIEW (standards.iteh.ai)

[SIST EN 14635:2010](https://standards.iteh.ai/catalog/standards/sist/2938fd21-88a1-4e3f-a874-68179bf4d984/sist-en-14635-2010)

<https://standards.iteh.ai/catalog/standards/sist/2938fd21-88a1-4e3f-a874-68179bf4d984/sist-en-14635-2010>

1 Scope

This European standard specifies the dimensions of the 26 mm shallow crown finish for glass bottles containing beverages. The shallow crown finish is designed to use a metal crown closure (see CE.T.I.E. data sheet EC1-02 revision 1 [2]).

2 Normative references

The following referenced documents are indispensable for the application of this document. For dated references, only the edition cited applies. For undated references, the latest edition of the referenced document (including any amendments) applies.

ISO 9058, *Glass containers — Standard tolerances for bottles*

3 Dimensions

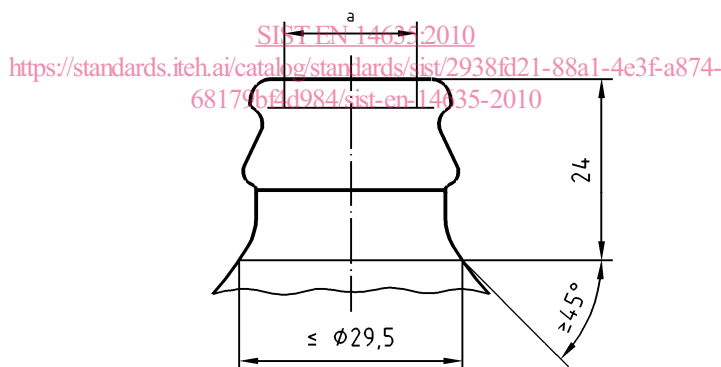
The design and dimensions of the finish shall be as shown in Figures 1, 2, 3, 4 and 5.

Details, which are not specified shall be selected in accordance with the application.

For general tolerances see ISO 9058.

iTeh STANDARD PREVIEW
(standards.iteh.ai)

Dimensions in millimetres



minimum through bore \varnothing 15,5

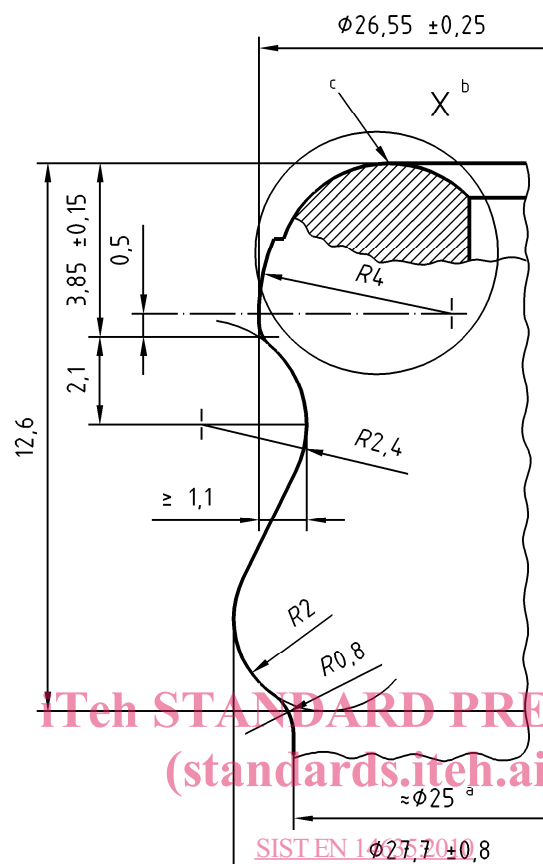
Key

a \varnothing between 18,5 max and 17 min measured at 3 mm max down from the top

Figure 1 — Shoulder and bore dimensions

Construction limit: certain capping equipment may place further dimensional limits on the neck contour.

Dimensions in millimetres



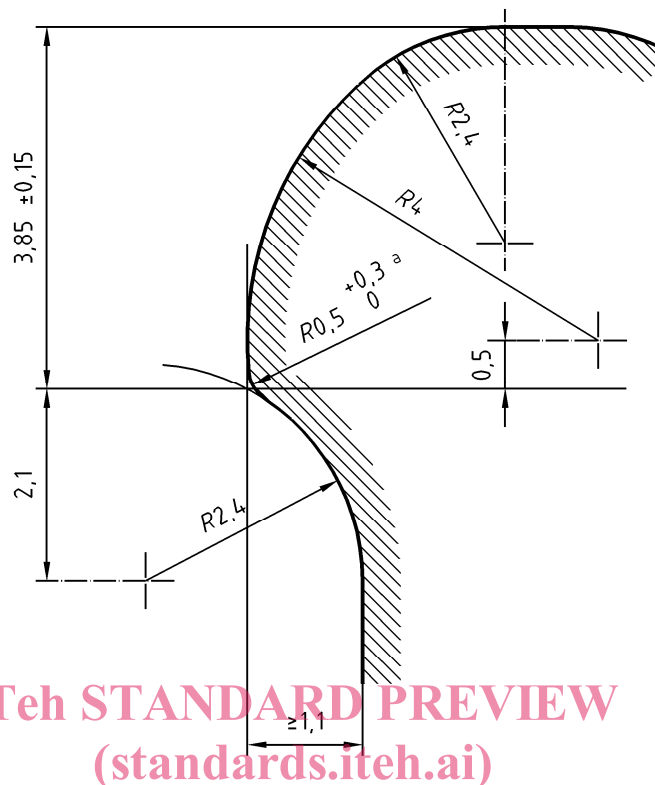
<https://standards.iteh.ai/catalog/standards/sist/2938fd21-88a1-4e3f-a874-68179bf4d984/sist-en-14635-2010>

Key

- a Nominal diameter to suit glass manufacturer.
- b Detail X: see Figures 4 and 5
- c Top of the finish

Figure 2 — Profile of the finish

Dimensions in millimetres



iTeh STANDARD PREVIEW
(standards.iteh.ai)

Key

- a For optimum performance, the radius should lie between 0,5 and 0,8 excluding the vertical mould joint, and be as near as possible to 0,5.

SIST EN 14635:2010

<https://standards.iteh.ai/catalog/standards/sist-en-14635-2010/68179bf4d984/sist-en-14635-2010>

Figure 3 — Point "P"