



Designation: E 1921 – 03

Standard Test Method for Determination of Reference Temperature, T_o , for Ferritic Steels in the Transition Range¹

This standard is issued under the fixed designation E 1921; the number immediately following the designation indicates the year of original adoption or, in the case of revision, the year of last revision. A number in parentheses indicates the year of last reapproval. A superscript epsilon (ϵ) indicates an editorial change since the last revision or reapproval.

1. Scope

1.1 This test method covers the determination of a reference temperature, T_o , which characterizes the fracture toughness of ferritic steels that experience onset of cleavage cracking at elastic, or elastic-plastic K_{Jc} instabilities, or both. The specific types of ferritic steels (3.2.1) covered are those with yield strengths ranging from 275 to 825 MPa (40 to 120 ksi) and weld metals, after stress-relief annealing, that have 10 % or less strength mismatch relative to that of the base metal.

1.2 The specimens covered are fatigue precracked single-edge notched bend bars, SE(B), and standard or disk-shaped compact tension specimens, C(T) or DC(T). A range of specimen sizes with proportional dimensions is recommended. The dimension on which the proportionality is based is specimen thickness.

1.3 Median K_{Jc} values tend to vary with the specimen type at a given test temperature, presumably due to constraint differences among the allowable test specimens in 1.2. The degree of K_{Jc} variability among specimen types is analytically predicted to be a function of the material flow properties (1)² and decreases with increasing strain hardening capacity for a given yield strength material. This K_{Jc} dependency ultimately leads to discrepancies in calculated T_o values as a function of specimen type for the same material. T_o values obtained from C(T) specimens are expected to be higher than T_o values obtained from SE(B) specimens. Best estimate comparisons of several materials indicate that the average difference between C(T) and SE(B)-derived T_o values is approximately 10°C (2). C(T) and SE(B) T_o differences up to 15°C have also been recorded (3). However, comparisons of individual, small datasets may not necessarily reveal this average trend. Datasets which contain both C(T) and SE(B) specimens may generate

T_o results which fall between the T_o values calculated using solely C(T) or SE(B) specimens. It is therefore strongly recommended that the specimen type be reported along with the derived T_o value in all reporting, analysis, and discussion of results. This recommended reporting is in addition to the requirements in 11.1.1.

1.4 Requirements are set on specimen size and the number of replicate tests that are needed to establish acceptable characterization of K_{Jc} data populations.

1.5 The statistical effects of specimen size on K_{Jc} in the transition range are treated using weakest-link theory (4) applied to a three-parameter Weibull distribution of fracture toughness values. A limit on K_{Jc} values, relative to the specimen size, is specified to ensure high constraint conditions along the crack front at fracture. For some materials, particularly those with low strain hardening, this limit may not be sufficient to ensure that a single-parameter (K_{Jc}) adequately describes the crack-front deformation state (5).

1.6 Statistical methods are employed to predict the transition toughness curve and specified tolerance bounds for 1T specimens of the material tested. The standard deviation of the data distribution is a function of Weibull slope and median K_{Jc} . The procedure for applying this information to the establishment of transition temperature shift determinations and the establishment of tolerance limits is prescribed.

1.7 The fracture toughness evaluation of nonuniform material is not amenable to the statistical analysis methods employed in this standard. Materials must have macroscopically uniform tensile and toughness properties. For example, multi-pass weldments can create heat-affected and brittle zones with localized properties that are quite different from either the bulk material or weld. Thick section steel also often exhibits some variation in properties near the surfaces. Metallography and initial screening may be necessary to verify the applicability of these and similarly graded materials. Particular notice should be given to the 2% and 98% tolerance bounds on K_{Jc} presented in 9.3. Data falling outside these bounds may indicate nonuniform material properties.

¹ This test method is under the jurisdiction of ASTM Committee E08 on Fatigue and Fracture and is the direct responsibility of E08.08 on Elastic-Plastic Fracture Mechanics Technology.

Current edition approved Nov. 1, 2003. Published December 2003. Originally approved in 1997. Last previous edition approved in 2002 as E 1921 – 02.

² The boldface numbers in parentheses refer to the list of references at the end of this standard.

1.8 This standard does not purport to address all of the safety concerns, if any, associated with its use. It is the responsibility of the user of this standard to establish appropriate safety and health practices and determine the applicability of regulatory limitations prior to use.

2. Referenced Documents

2.1 ASTM Standards:³

- E 4 Practices for Force Verification of Testing Machines
- E 8M Test Methods for Tension Testing of Metallic Materials (Metric)
- E 23 Test Methods for Notched Bar Impact Testing of Metallic Materials
- E 74 Practice for Calibration of Force Measuring Instruments for Verifying the Force Indication of Testing Machines
- E 208 Test Method for Conducting Drop-Weight Test to Determine Nil-Ductility Transition Temperature of Ferritic Steels
- E 399 Test Method for Plane-Strain Fracture Toughness of Metallic Materials
- E 436 Test Method for Drop-Weight Tear Tests of Ferritic Steels
- E 561 Practice for R-Curve Determination
- E 812 Test Method for Crack Strength of Slow-Bend, Pre-cracked Charpy Specimens of High-Strength Metallic Materials
- E 1820 Test Method for Measurement of Fracture Toughness
- E 1823 Terminology Relating to Fatigue and Fracture Testing

3. Terminology

3.1 Terminology given in Terminology E 1823 is applicable to this test method.

3.2 Definitions:

3.2.1 *ferritic steels*—are typically carbon, low-alloy, and higher alloy grades. Typical microstructures are bainite, tempered bainite, tempered martensite, and ferrite and pearlite. All ferritic steels have body centered cubic crystal structures that display ductile-to-cleavage transition temperature fracture toughness characteristics. See also Test Methods E 23, E 208 and E 436.

NOTE 1—This definition is not intended to imply that all of the many possible types of ferritic steels have been verified as being amenable to analysis by this test method.

3.2.2 *stress-intensity factor, $K[FL^{-3/2}]$* —the magnitude of the mathematically ideal crack-tip stress field coefficient (stress field singularity) for a particular mode of crack-tip region deformation in a homogeneous body.

3.2.3 *Discussion*—In this test method, Mode I is assumed. See Terminology E 1823 for further discussion.

3.2.4 *J-integral, $J[FL^{-1}]$* —a mathematical expression; a line or surface integral that encloses the crack front from one crack surface to the other; used to characterize the local stress-strain field around the crack front (6). See Terminology E 1823 for further discussion.

3.3 Definitions of Terms Specific to This Standard:

3.3.1 *control load, $P_M[F]$* —a calculated value of maximum load used in Test Method E 1820, Eqs. A1.1 and A2.1 to stipulate allowable precracking limits.

3.3.1.1 *Discussion*—In this method, P_M is not used for precracking, but is used as a minimum load above which partial unloading is started for crack growth measurement.

3.3.2 *crack initiation*—describes the onset of crack propagation from a preexisting macroscopic crack created in the specimen by a stipulated procedure.

3.3.3 *effective modulus, $E_e[FL^{-2}]$* —an elastic modulus that can be used with experimentally determined elastic compliance to effect an exact match to theoretical (modulus-normalized) compliance for the actual initial crack size, a_o .

3.3.4 *elastic modulus, $E'[FL^{-2}]$* —a linear-elastic factor relating stress to strain, the value of which is dependent on the degree of constraint. For plane stress, $E' = E$ is used, and for plane strain, $E/(1 - \nu^2)$ is used, with ν being Poisson's ratio.

3.3.5 *elastic-plastic $K_J[FL^{-3/2}]$* —An elastic-plastic equivalent stress intensity factor derived from *J*-integral.

3.3.5.1 *Discussion*—In this test method, K_J also implies a stress intensity factor determined at the test termination point under conditions determined to be invalid by 8.9.2.

3.3.6 *elastic-plastic $K_{Jc}[FL^{-3/2}]$* —an elastic-plastic equivalent stress intensity factor derived from the *J*-integral at the point of onset of cleavage fracture, J_c .

3.3.7 *Eta (η)*—a dimensionless parameter that relates plastic work done on a specimen to crack growth resistance defined in terms of deformation theory *J*-integral (7).

3.3.8 *failure probability, p_f* —the probability that a single selected specimen chosen at random from a population of specimens will fail at or before reaching the K_{Jc} value of interest.

3.3.9 *initial ligament length, $b_o[L]$* —the distance from the initial crack tip, a_o , to the back face of a specimen.

3.3.10 *pop-in*—a discontinuity in a load versus displacement test record (8).

3.3.10.1 *Discussion*—A pop-in event is usually audible, and is a sudden cleavage crack initiation event followed by crack arrest. A test record will show increased displacement and drop in applied load if the test frame is stiff. Subsequently, the test record may continue on to higher loads and increased displacement.

3.3.11 *precracked charpy specimen*—SE(B) specimen with $W = B = 10$ mm (0.394 in.).

3.3.12 *reference temperature, T_o [°C]*—The test temperature at which the median of the K_{Jc} distribution from 1T size specimens will equal 100 MPa \sqrt{m} (91.0 ksi $\sqrt{in.}$).

3.3.13 *SE(B) specimen span, $S[L]$* —the distance between specimen supports (See Test Method E 1820 Fig. 3).

3.3.14 *specimen thickness, $B[L]$* —the distance between the sides of specimens.

³ For referenced ASTM standards, visit the ASTM website, www.astm.org, or contact ASTM Customer Service at service@astm.org. For Annual Book of ASTM Standards volume information, refer to the standard's Document Summary page on the ASTM website.

3.3.14.1 *Discussion*—In the case of side-grooved specimens, thickness, B_N , is the distance between the roots of the side-groove notches.

3.3.15 *specimen size, nT*—a code used to define specimen dimensions, where n is expressed in multiples of 1 in.

3.3.15.1 *Discussion*—In this method, specimen proportionality is required. For compact specimens and bend bars, specimen thickness $B = n$ inches.

3.3.16 *temperature, T_Q [$^{\circ}\text{C}$]*—For K_{Jc} values that are developed using specimens or test practices, or both, that do not conform to the requirements of this test method, a temperature at which $K_{Jc (med)} = 100 \text{ MPa}\sqrt{\text{m}}$ is defined as T_Q . T_Q is not a provisional value of T_o .

3.3.17 *Weibull fitting parameter, K_0* —a scale parameter located at the 63.2 % cumulative failure probability level (9). $K_{Jc} = K_0$ when $p_f = 0.632$.

3.3.18 *Weibull slope, b* —with p_f and K_{Jc} data pairs plotted in linearized Weibull coordinates obtainable by rearranging Eq. 15, b is the slope of a line that defines the characteristics of the typical scatter of K_{Jc} data.

3.3.18.1 *Discussion*—A Weibull slope of 4 is used exclusively in this method.

3.3.19 *yield strength, σ_{ys} [FL^{-2}]*—a value of material strength at 0.2 % plastic strain as determined by tensile testing.

4. Summary of Test Method

4.1 This test method involves the testing of notched and fatigue precracked bend or compact specimens in a temperature range where either cleavage cracking or crack pop-in develop during the loading of specimens. Crack aspect ratio, a/W , is nominally 0.5. Specimen width in compact specimens is two times the thickness. In bend bars, specimen width can be either one or two times the thickness.

4.2 Load versus displacement across the notch at a specified location is recorded by autographic recorder or computer data acquisition, or both. Fracture toughness is calculated at a defined condition of crack instability. The J -integral value at instability, J_c , is calculated and converted into its equivalent in units of stress intensity factor, K_{Jc} . Validity limits are set on the suitability of data for statistical analyses.

4.3 Tests that are replicated at least six times can be used to estimate the median K_{Jc} of the Weibull distribution for the data population (10). Extensive data scatter among replicate tests is expected. Statistical methods are used to characterize these data populations and to predict changes in data distributions with changed specimen size.

4.4 The statistical relationship between specimen size and K_{Jc} fracture toughness can be assessed using weakest-link theory, thereby providing a relationship between the specimen size and K_{Jc} (4). Limits are placed on the fracture toughness range over which this model can be used.

4.5 For definition of the toughness transition curve, a master curve concept is used (11, 12). The position of the curve on the temperature coordinate is established from the experimental determination of the temperature, designated T_o , at which the median K_{Jc} for 1T size specimens is $100 \text{ MPa}\sqrt{\text{m}}$ (91.0 ksi $\sqrt{\text{in.}}$). Selection of a test temperature close to that at which the median K_{Jc} value will be $100 \text{ MPa}\sqrt{\text{m}}$ is encouraged and a means of estimating this temperature is suggested. Small

specimens such as precracked Charpys may have to be tested at temperatures below T_o where $K_{Jc (med)}$ is well below $100 \text{ MPa}\sqrt{\text{m}}$. In such cases, additional specimens may be required as stipulated in 8.5.

4.6 Tolerance bounds can be determined that define the range of scatter in fracture toughness throughout the transition range. The standard deviation of the fitted distribution is a function of Weibull slope and median K_{Jc} value, $K_{Jc (med)}$.

5. Significance and Use

5.1 Fracture toughness is expressed in terms of an elastic-plastic stress intensity factor, K_{Jc} , that is derived from the J -integral calculated at fracture.

5.2 Ferritic steels are inhomogeneous with respect to the orientation of individual grains. Also, grain boundaries have properties distinct from those of the grains. Both contain carbides or nonmetallic inclusions that can act as nucleation sites for cleavage microcracks. The random location of such nucleation sites with respect to the position of the crack front manifests itself as variability of the associated fracture toughness (13). This results in a distribution of fracture toughness values that is amenable to characterization using statistical methods.

5.3 Distributions of K_{Jc} data from replicate tests can be used to predict distributions of K_{Jc} for different specimen sizes. Theoretical reasoning (9), confirmed by experimental data, suggests that a fixed Weibull slope of 4 applies to all data distributions and, as a consequence, standard deviation on data scatter can be calculated. Data distribution and specimen size effects are characterized using a Weibull function that is coupled with weakest-link statistics (14). An upper limit on constraint loss and a lower limit on test temperature are defined between which weakest-link statistics can be used.

5.4 The experimental results can be used to define a master curve that describes the shape and location of median K_{Jc} transition temperature fracture toughness for 1T specimens (15). The curve is positioned on the abscissa (temperature coordinate) by an experimentally determined reference temperature, T_o . Shifts in reference temperature are a measure of transition temperature change caused, for example, by metallurgical damage mechanisms.

5.5 Tolerance bounds on K_{Jc} can be calculated based on theory and generic data. For added conservatism, an offset can be added to tolerance bounds to cover the uncertainty associated with estimating the reference temperature, T_o , from a relatively small data set. From this it is possible to apply a margin adjustment to T_o in the form of a reference temperature shift.

5.6 For some materials, particularly those with low strain hardening, the value of T_o may be influenced by specimen size due to a partial loss of crack-tip constraint (5). When this occurs, the value of T_o may be lower than the value that would be obtained from a data set of K_{Jc} values derived using larger specimens.

6. Apparatus

6.1 *Precision of Instrumentation*—Measurements of applied loads and load-line displacements are needed to obtain work done on the specimen. Load versus load-line displacements

may be recorded digitally on computers or autographically on x - y plotters. For computers, digital signal resolution should be 1/32,000 of the displacement transducer signal range and 1/4000 of the load transducer signal range.

6.2 Grips for C(T) Specimens—A clevis with flat-bottom holes is recommended. See Test Method E 399-90, Fig. A6.2, for a recommended design. Clevises and pins should be fabricated from steels of sufficient strength to elastically resist indentation loads (greater than 40 Rockwell hardness C scale (HRC)).

6.3 Bend Test Fixture—A suitable bend test fixture scheme is shown in Fig. A3.2 of Test Method E 399-90. It allows for roller pin rotation and minimizes friction effects during the test. Fixturing and rolls should be made of high-hardness steel (HRC greater than 40).

6.4 Displacement Gage for Compact Specimens:

6.4.1 Displacement measurements are made so that J values can be determined from area under load versus displacement test records (a measure of work done). If the test temperature selection recommendations of this practice are followed, crack growth measurement will probably prove to be unimportant. Results that fall within the limits of uncertainty of the recommended test temperature estimation scheme will probably not have significant slow-stable crack growth prior to instability. Nevertheless, crack growth measurements are recommended to provide supplementary information, and these results may be reported.

6.4.2 Unloading compliance is the primary recommendation for measuring slow-stable crack growth. See Test Method E 1820. When multiple tests are performed sequentially at low test temperatures, there will be condensation and ice buildup on the grips between the loading pins and flats of the clevis holes. Ice will interfere with the accuracy of the unloading compliance method. Alternatively, crack growth can be measured by other methods such as electric potential, but care must be taken to avoid specimen heating when low test temperatures are used.

6.4.3 In compact C(T) specimens, displacement measurements on the load line are recommended for J determinations. However, the front face position at 0.25 W in front of the load line can be used with interpolation to load-line displacement, as suggested in 7.1.

6.4.4 The extensometer calibrator shall be resettable at each displacement interval within 0.0051 mm (0.0002 in.). Accuracy of the clip gage at test temperature must be demonstrated to be within 1 % of the working range of the gage.

6.4.5 All clip gages used shall have temperature compensation.

6.5 Displacement Gages for Bend Bars, SE(B):

6.5.1 The SE(B) specimen has two displacement gage locations. A load-line displacement transducer is primarily intended for J computation, but may also be used for calculations of crack size based on elastic compliance, if provision is made to subtract the extra displacement due to the elastic compliance of the fixturing. The load-line gage shall display accuracy of 1 % over the working range of the gage. The gages used shall not be temperature sensitive.

6.5.2 Alternatively, a crack-mouth opening displacement (CMOD) gage can also be used to determine the plastic part of J . However, it is necessary to employ a plastic eta (η_p) value developed specifically for that position (16) or to infer load-point displacement from mouth opening using an expression that relates the two displacements (17). In either case, the procedure described in 9.1.4 is used to calculate the plastic part of J . The CMOD position is the most accurate for the compliance method of slow-stable crack growth measurement.

6.5.3 Crack growth can be measured by alternative methods such as electric potential, but care must be taken to minimize specimen heating effects in low-temperature tests (see also 6.4.2) (18).

6.6 Force Measurement:

6.6.1 Testing shall be performed in a machine conforming to Practices of E 4-93 and E 8M-95. Applied force may be measured by any transducer with a noise-to-signal ratio less than 1/2000 of the transducer signal range.

6.6.2 Calibrate force measurement instruments by way of Practice E 74-91, 10.2. Annual calibration using calibration equipment traceable to the National Institute of Standards and Technology is a mandatory requirement.

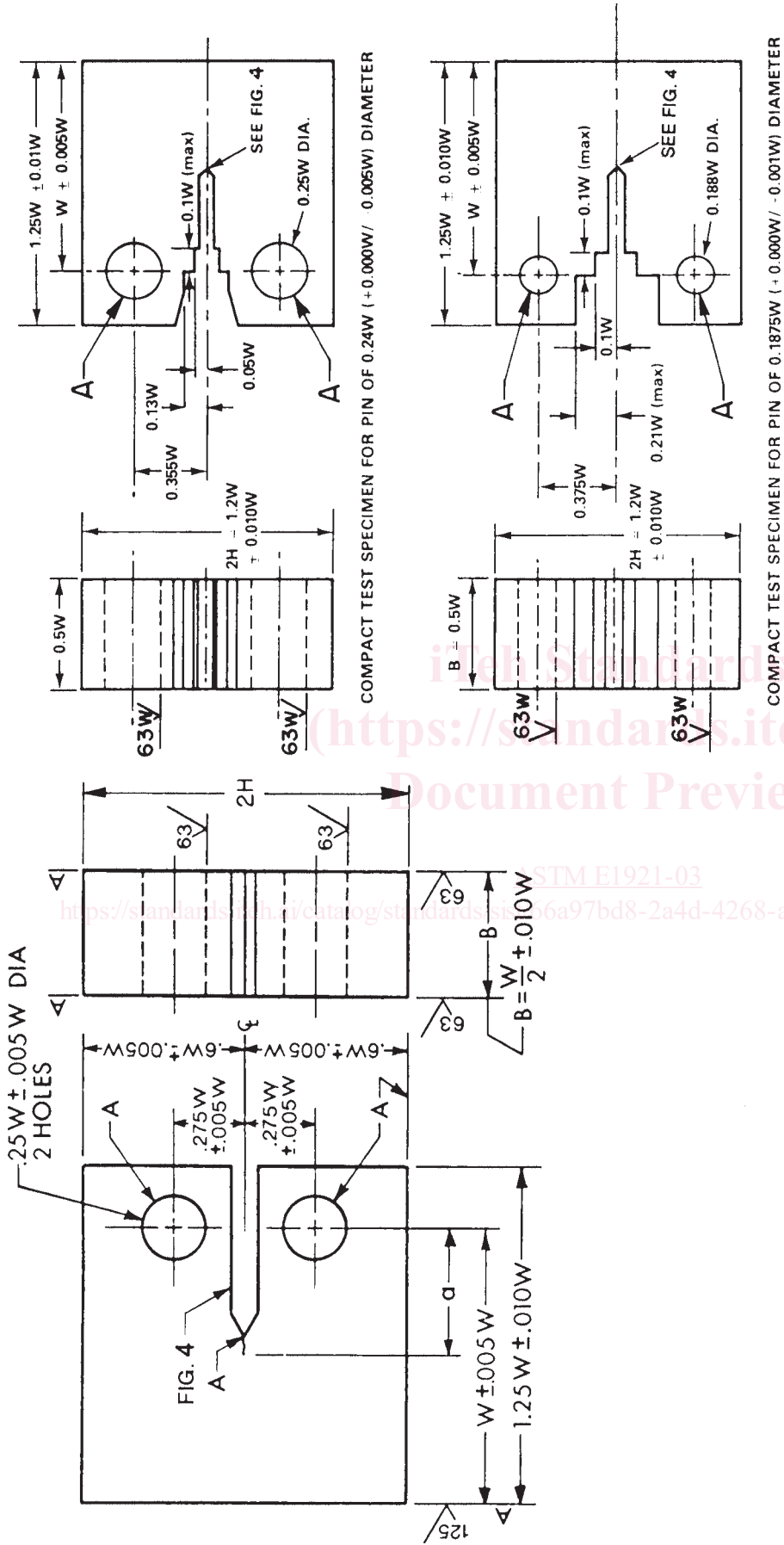
6.7 Temperature Control—Specimen temperature shall be measured with thermocouple wires and potentiometers. It is recommended that the two thermocouple wires be attached to the specimen surface separately, either by welding, spot welding, or by being affixed mechanically. Mechanical attachment schemes must be verified to provide equivalent temperature measurement accuracy. The purpose is to use the test material as a part of the thermocouple circuit (see also 8.6.1). Accuracy of temperature measurement shall be within 3°C of true temperature and repeatability among specimens shall be within 2°C. Precision of measurement shall be $\pm 1^\circ\text{C}$ or better. The temperature measuring apparatus shall be checked every six months using instruments traceable to the National Institute of Standards and Technology in order to ensure the required accuracy.

7. Specimen Configuration, Dimensions, and Preparation

7.1 Compact Specimens—Three recommended C(T) specimen designs are shown in Fig. 1. One C(T) specimen configuration is taken from Test Method E 399-90; the two with cutout sections are taken from E 1820. The latter two designs are modified to permit load-line displacement measurement. Room is provided for attachment of razor blade tips on the load line. Care should be taken to maintain parallel alignment of the blade edges. When front face (at 0.25 W in front of the load line) displacement measurements are made with the Test Method E 399 design, the load-line displacement can be inferred by multiplying the measured values by the constant 0.73 (19). The ratio of specimen height to width, 2 H/W is 1.2, and this ratio is to be the same for all types and sizes of C(T) specimens. The initial crack size, a_o , shall be $0.5W \pm 0.05W$. Specimen width, W , shall be 2 B .

7.2 Disk-shaped Compact Specimens—A recommended DC(T) specimen design is shown in Fig. 2. Initial crack size, a_o , shall be $0.5W \pm 0.05W$. Specimen width shall be 2 B .

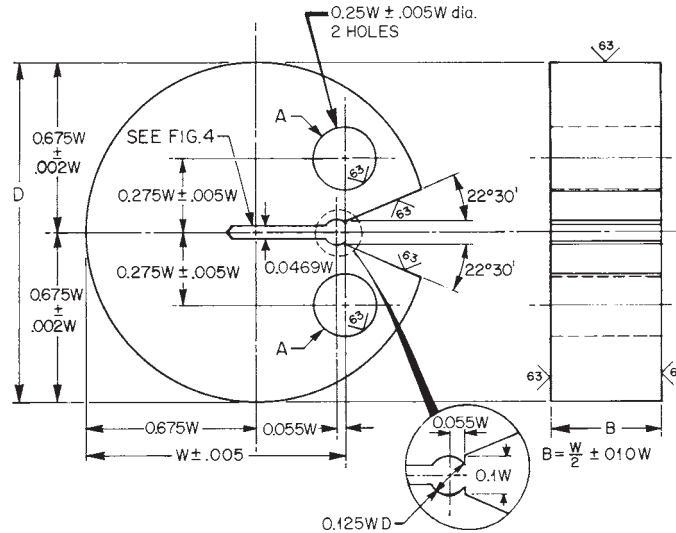
7.3 Single-edge Notched Bend—The recommended SE(B) specimen designs, shown in Fig. 3, are made for use with a



NOTE 1—"A" surfaces shall be perpendicular and parallel as applicable to within 0.002W TIR.

NOTE 2—The intersection of the crack starter notch tips with the two specimen surfaces shall be equally distant from the top and bottom edges of the specimen within 0.005W TIR.

FIG. 1 Recommended Compact Specimen Designs

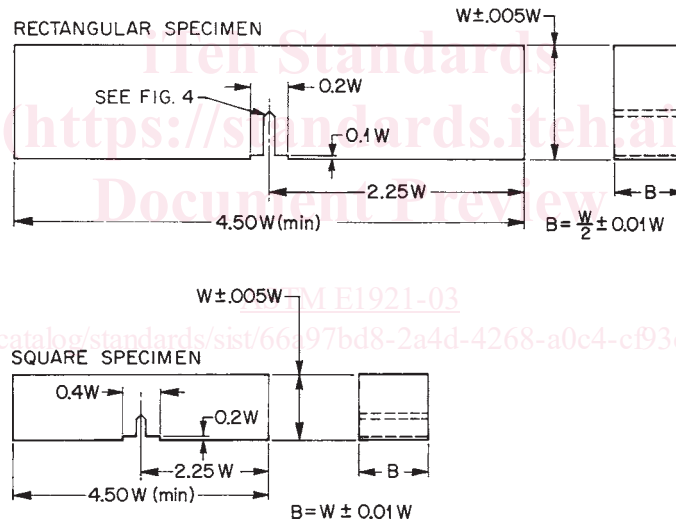


NOTE 1—A surfaces shall be perpendicular and parallel as applicable to within 0.002W TIR.

NOTE 2—The intersection of the crack starter notch tips with the two specimen surfaces shall be equally distant from the top and bottom extremes of the disk within 0.005W TIR.

NOTE 3—Integral or attached knife edges for clip gage attachment may be used. See also Fig. 6, Test Method E 399.

FIG. 2 Disk-shaped Compact Specimen DC(T) Standard Proportions



NOTE 1—All surfaces shall be perpendicular and parallel within 0.001W TIR; surface finish 64v.

NOTE 2—Crack starter notch shall be perpendicular to specimen surfaces to within ± 2°.

FIG. 3 Recommended Bend Bar Specimen Design

span-to-width ratio, $S/W = 4$. The width, W , can be either $1B$ or $2B$. The initial crack size, a_o , shall be $0.5W \pm 0.05W$.

7.4 *Machined Notch Design*—The machined notch plus fatigue crack for all specimens shall lie within the envelope shown in Fig. 4.

7.5 *Specimen Dimension Requirements*—The crack front straightness criterion defined in 8.9.1 must be satisfied. The specimen remaining ligament, b_o , must have sufficient size to maintain a condition of high crack-front constraint at fracture. The maximum K_{Jc} capacity of a specimen is given by:

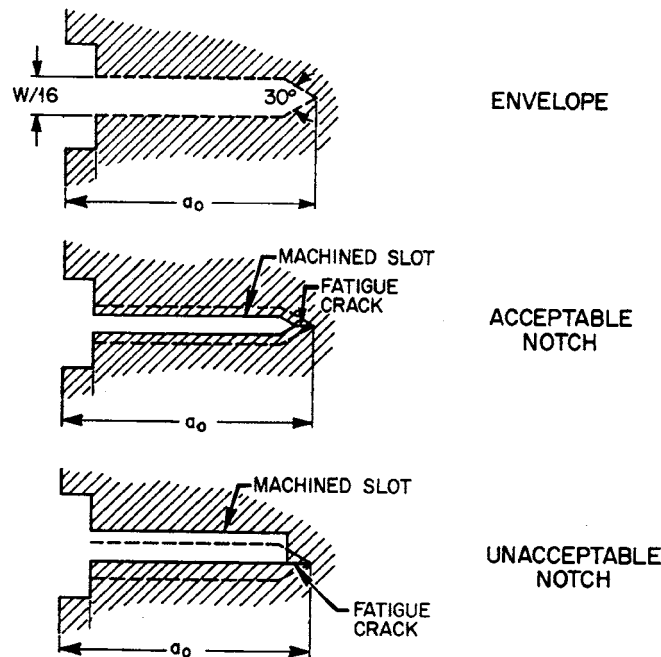
$$K_{Jc(\text{limit})} = \sqrt{\frac{Eb_o\sigma_{ys}}{30(1 - \nu^2)}} \quad (1)$$

where:

σ_{ys} = material yield strength at the test temperature.

K_{Jc} data that exceed this requirement may be used in a data censoring procedure. Details of this procedure are described in section 10.2.2 for single-temperature data and 10.4.2 for multi-temperature data.

7.6 *Small Specimens*—At high values of fracture toughness relative to specimen size and material flow properties, the values of K_{Jc} that meet the requirements of Eq 1 may not always provide a unique description of the crack-front stress-strain fields due to some loss of constraint caused by excessive plastic flow (5). This condition may develop in materials with



NOTE 1—Notch width need not be less than 1.6mm (1/16 in.) but not exceed W/16.

NOTE 2—The intersection of the crack starter surfaces with the two specimen faces shall be equidistant from the top and bottom edges of the specimen within 0.005W.

FIG. 4 Envelope Crack Starter Notches

low strain hardening. When this occurs, the highest K_{Jc} values of the valid data set could possibly cause the value of T_o to be lower than the value that would be obtained from testing specimens with higher constraint.

7.7 Side Grooves—Side grooves are optional. Precracking prior to side-grooving is recommended, despite the fact that crack growth on the surfaces might be slightly behind. Specimens may be side-grooved after precracking to decrease the curvature of the initial crack front. In fact, side-grooving may be indispensable as a means for controlling crack front straightness in bend bars of square cross section. The total side-grooved depth shall not exceed 0.25B. Side grooves with an included angle of 45° and a root radius of 0.5 ± 0.2 mm (0.02 ± 0.01 in.) usually produce the desired results.

7.8 Precracking—All specimens shall be precracked in the final heat treated condition. The length of the fatigue precrack extension shall not be less than 5% of the total crack size. Precracking may include two stages—crack initiation and finish sharpening of the crack tip. To avoid growth retardation from a single unloading step, intermediate levels of load shedding can be added, if desired. One intermediate level usually suffices. To initiate fatigue crack growth from a machined notch, use $K_{max}/E = 0.00013 \text{ m}^{1/2}$ ($0.00083 \text{ in.}^{1/2}$) $\pm 5\%$.⁴ Stress ratio, R, shall be controlled within the following range: $0.01 < R < 0.1$. Finish sharpening is to be started at least 0.6 mm (0.025 in.) before the end of precracking. K_{max}/E for

finish sharpening is to be $0.000096 \text{ m}^{1/2}$ ($0.0006 \text{ in.}^{1/2}$) $\pm 5\%$ and stress ratio shall be maintained in the range $0.01 < R < 0.1$. If the precracking temperature, T1, is different than the test temperature, T2, then the finish sharpening K_{max}/E shall be equal to or less than $[\sigma_{ys(T1)}/\sigma_{ys(T2)}] 0.000096 \text{ m}^{1/2} \pm 5\%$. The lowest practical stress ratio is suggested in all cases. Finish sharpening can be expected to require between 5×10^3 to 5×10^5 cycles for most metallic test materials when using the above recommended K levels. Finish sharpening shall not take less than 10^3 cycles to produce the last 0.6 mm (0.025 in.) of growth.

8. Procedure

8.1 Testing Procedure—The objective of the procedure described here is to determine the J -integral at the point of crack instability, J_c . Crack growth can be measured by partial unloading compliance, or by any other method that has precision and accuracy, as defined below. However, the J -integral is not corrected for slow-stable crack growth in this test method.

8.2 Test Preparation—Prior to each test, certain specimen dimensions should be measured, the clip gage checked, and the starting crack size estimated from the average of the optical side face measurements.⁵

8.2.1 The dimensions B, B_N , and W shall be measured to within 0.05 mm (0.002 in.) accuracy or 0.5%, whichever is larger.

⁴ Elastic (Young's) modulus, E, in units of MPa will result in K_{max} in units of $\text{MPa}\sqrt{\text{m}}$. Elastic (Young's) modulus, E, in units of ksi will result in K_{max} in units of $\text{ksi}\sqrt{\text{in.}}$

⁵ When side-grooving is to be used, first precrack without side grooves and optically measure the fatigue crack growth on both surfaces.

8.2.2 Because most tests conducted under this method will terminate in specimen instability, clip gages tend to be abused, thus they shall be examined for damage after each test and checked electronically before each test. Clip gages shall be calibrated at the beginning of each day of use, using an extensometer calibrator as specified in 6.4.4.

8.2.3 Follow Test Method E 1820, 8.5 for crack size measurement, 8.3.2 for testing compact specimens and 8.3.1 for testing bend specimens.

8.3 The required minimum number of valid K_{Jc} tests is specified according to the value of $K_{Jc(med)}$. See also 8.5.

8.4 *Test Temperature Selection*—It is recommended that the selected temperature be close to that at which the $K_{Jc(med)}$ values will be about 100 MPa√m for the specimen size selected. Charpy V-notch data can be used as an aid for predicting a viable test temperature. If a Charpy transition temperature, T_{CVN} , is known corresponding to a 28J Charpy V-notch energy or a 41J Charpy V-notch energy, a constant C can be chosen from Table 1 corresponding to the test specimen size (defined in 3.3.15), and used to estimate⁶ the test temperature from (12, 20).

$$T = T_{CVN} + C \quad (2)$$

TABLE 1 Constants for Test Temperature Selection Based on Charpy Results

Specimen Size, (nT)	Constant C (°C)	
	28J	41J
0.4 ^A	-32	-38
0.5	-28	-34
1	-18	-24
2	-8	-14
3	-1	-7
4	2	-4

^A For precracked Charpy specimens, use C = -50 or -56°C.

8.4.1 This correlation is only appropriate for determining an initial test temperature. The iterative scheme described in 10.4.3 may be necessary to refine this test temperature in order to increase T_o accuracy. Testing below the temperature specified in Eq 2 may be appropriate for low upper-shelf toughness materials to avoid crack growth, and for low yield strength materials to avoid specimen size invalidity (Eq 1).⁷

8.5 *Testing Below Temperature, T_o* —When the equivalent value of $K_{Jc(med)}$ for 1T specimens is greater than 83 MPa√m, the required number of valid K_{Jc} values to perform the analyses covered in Section 10 is six. However, small specimens such as precracked Charpy specimens (Test Method E 812) can develop excessive numbers of invalid K_{Jc} values by Eq 1 when testing close to the T_o temperature. In such cases it is advisable to test at temperatures below T_o , where most, if not all, K_{Jc} data developed can be valid. The disadvantage here is that the uncertainty in T_o determination increases as the lower-shelf toughness is approached. This increase in uncertainty can be countered by testing more specimens thereby increasing the $K_{Jc(med)}$ accuracy. Table 2 establishes the number of valid K_{Jc} test results required to evaluate T_o according to this test method. If

$K_{Jc(med)}$ of a data set is lower than 58 MPa√m, then the T_o determination using that data set shall not be allowed.

TABLE 2 Number of Valid K_{Jc} Test Results Required to Evaluate T_o

(T - T_o) _i range (°C)	$K_{Jc(med)}$ range ^A (MPa√m)	Number of valid K_{Jc} required	Possible number of invalid tests by Eq 1 ^B
50 to -14	212 to 84	6	3
-15 to -35	83 to 66	7	1
-36 to -50	65 to 58	8	0

^A Convert $K_{Jc(med)}$ equivalence using Eq. 16. Round off to nearest whole digit.

^B Established specifically for precracked Charpy specimens. Use this column for total specimen needs.

8.6 *Specimen Test Temperature Control and Measurement*—For tests at temperatures other than ambient, any suitable means (liquid, gas vapor, or radiant heat) may be used to cool or heat the specimens, provided the region near the crack tip can be maintained at the desired temperature as defined in 6.7 during the conduct of the test.

8.6.1 The most dependable method of monitoring test temperature is to weld or spot weld each thermocouple wire separately to the specimen, spaced across the crack plane. The specimen provides the electrical continuity between the two thermocouple wires, and spacing should be enough not to raise any question of possible interference with crack tip deformation processes. Alternative attachment methods can be mechanical types such as drilled hole, or by a firm mechanical holding device so long as the attachment method is verified for accuracy and these practices do not disturb the crack tip stress field of the specimen during loading.

8.6.2 To verify that the specimen is properly seated into the loading device and that the clip gage is properly seated, repeated preloading and unloading in the linear elastic range shall be applied. Load and unload the specimen between loads of 0.2 P_{max} and P_{max} (where P_{max} is the top precracking load of the finishing cycles) at least three times. Check the calculated crack size from each unloading slope against the average precrack size defined in 8.2. Refer also to Test Method E 1820, Eq. A2.12 for C(T) specimens and to Eq. A1.10 for SE(B) specimens. Be aware that ice buildup at the loading clevis hole between tests can affect accuracy. Therefore, the loading pins and devices should be dried before each test. For working-in fixtures, the elastic modulus to be used should be the nominally known value, E , for the material, and for side-grooved specimens, the effective thickness for compliance calculations is defined as:

$$B_e = B_N(2 - B_N/B) \quad (3)$$

8.6.3 For J calculations in Section 9, B_N is used as the thickness dimension. All calculated crack sizes should be within 10 % of the visual average and replicate determinations within 1 % of each other. If the repeatability of determination is outside this limit, the test setup is suspect and should be thoroughly rechecked. After working-in the test fixtures, the load shall be returned to the lowest practical value at which the fixture alignment can be maintained.

8.7 *Testing for K_{Jc}* —All tests shall be conducted under displacement control. Load versus load-point displacement measurements shall be recorded. Periodic partial unloading can

⁶ Standard deviation on this estimate has been determined to be 15°C.

⁷ Data validation is covered in 8.9.2 and Section 10.

be used to determine the extent of slow-stable crack growth if it occurs. Alternative methods of measuring crack extension, for example the potential drop method, can be used (18). If displacement measurements are made at a location other than at the load point, the ability to infer load point displacement within 2 % of the absolute values shall be demonstrated. In the case of the front face for compact specimens (7.1), this requirement has been sufficiently proven so that no demonstration is required. For bend bars, see 6.5.2. Crack size prediction from partial unloading slopes at a different location will require different compliance calibration equations than those recommended in 8.6.2. Table 2 in Practice E 561-92a contains equations that define compliance for other locations on the compact specimen.

8.7.1 Load specimens at a rate such that the time of loading taken to reach load P_M lies between 0.1 and 10 min. P_M is nominally 40 % of limit load; see Test Method E 1820, Eqs. A1.1 and A2.1. The crosshead speed during periodic partial unloadings may be as slow as needed to accurately estimate crack growth, but shall not be faster than the rate specified for loading.

8.7.2 Partial unloadings that are initiated between load levels P_M and $1.5P_M$ can be used to establish an “effective” elastic modulus, E_e , such that the modulus-normalized elastic compliance predicts an initial crack size within 0.001W of the actual initial crack size. The resulting E_e should not differ from an expected or theoretical E of the material by more than 10 % (see also Practice E 561-92a, Section 10). A minimum of two such unloadings should be made and the slopes should be repeatable within 1 % of the mean value. Slow-stable crack growth usually develops at loads well above $1.5P_M$ and the spacing of partial unloadings depends on judgement. As an aim, every $0.01a_o$ increment of crack growth is suitable. Use E_e in place of E and B_e for thickness to calculate crack growth.

8.8 Test Termination— After completion of the test, optically measure initial crack size and the extent of slow-stable crack growth or crack extension due to crack pop-in, or both, when applicable.

8.8.1 When the failure event is full cleavage fracture, determine the initial fatigue precrack size, a_o , as follows: measure the crack length at nine equally spaced points centered about the specimen centerline and extending to 0.01B from the free surfaces of plane sided specimens or near the side groove roots on side grooved specimens. Average the two near-surface measurements and combine the average of these two readings with the remaining seven crack measurements. Determine the average of those eight values. Measure the extent of slow-stable crack growth if it develops applying the same procedure. The measuring instruments shall have an accuracy of 0.025 mm (0.001 in.).

8.9 Qualification of Data:

8.9.1 The K_{Jc} datum shall be considered a non-test and discarded if any of the nine physical measurements of the starting crack size differ by more than 5 % of thickness dimension, B , or 0.5 mm, whichever is larger, from the average defined in 8.8.1.

8.9.2 A K_{Jc} datum is invalid if the specimen exceeds $K_{Jc(limit)}$ requirement of 7.5, or if a test has been discontinued

at a value of K_J without cleavage fracture after surpassing $K_{Jc(limit)}$. For tests that terminate in cleavage after more than $0.05(W-a_o)$ or 1 mm (0.040 in.), whichever is smaller, of slow-stable crack growth, corresponding to the longest crack length dimension measured by section 8.8.1, resulting K_{Jc} value also shall be regarded as invalid. Should both the $K_{Jc(limit)}$ and the maximum crack growth validity criteria be violated, the lower value of the two shall prevail for data censoring purposes. When K_J or K_{Jc} values are invalid, these data contain statistically useable information that can be applied as censored data in 10.2.2 or 10.4.2 as appropriate.

8.9.3 For any test terminated with no cleavage fracture, and for which the final K_J value does not exceed either validity limit, cited in 8.9.2, the test record is judged to be a nontest, the result of which shall be discarded.

8.9.4 Data sets that contain all valid K_{Jc} values can be used without modification in Section 10. Data sets that contain some invalid data but that meet the requirements of 8.5 can be used with data censoring (10.2.2). Remedies for excessive invalid data include (1) testing at a lower test temperature, (2) testing with larger specimens, or (3) testing more specimens to satisfy the minimum data requirements.

8.9.5 A discontinuity in a load-displacement record, that may be accompanied by a distinct sound like a click emanating from the test specimen, is probably a pop-in event. All pop-in crack initiation K values for cracks that advance by a cleavage-driven mechanism are to be regarded as eligible K_{Jc} data. It is recognized that test equipment can at times introduce false pop-in indications in test records. If a questionable discontinuity develops, stop the loading as soon as possible and assess the compliance ratio by 9.2. If the compliance change leads to a ratio calculated by 9.2 that is greater than the calculated ratio corresponding to more than a 1 % increase in crack size, the recommended practice is to assume that a pop-in event has occurred and to terminate the test, followed by heat tinting and breaking the specimen open at liquid nitrogen temperature. Measure the initial crack size and calculate K_{Jc} for the pop-in load, based on that crack size. Measure the post pop-in crack size visually and record it. If there is no evidence of crack extension by cleavage, then the K_{Jc} value at the discontinuity point is not a part of the K_{Jc} data distribution.

9. Calculations

9.1 Determine the J -integral at onset of cleavage fracture as the sum of elastic and plastic components:

$$J_c = J_e + J_p \quad (4)$$

9.1.1 For compact specimens, $C(T)$, the elastic component of J is calculated as follows:

$$J_e = \frac{(1 - \nu^2) K_c^2}{E} \quad (5)$$

where:

$$K_e = [P/(BB_N W)^{1/2}] f(a_o/W),$$

$$f(a_o/W) = \frac{(2 + a_o/W)}{(1 - a_o/W)^{3/2}} [0.886 + 4.64(a_o/W) - 13.32(a_o/W)^2 + 14.72(a_o/W)^3 - 5.6(a_o/W)^4], \quad (6)$$

and a_o = initial crack size.

9.1.2 For disk-shaped compact specimens, $DC(T)$, the elastic component of J is calculated as follows:

$$J_e = \frac{(1 - \nu^2) K_e^2}{E} \quad (7)$$

where:

$$K_e = [P/(BB_N W)^{1/2}] f(a_o/W),$$

$$f(a_o/W) = \frac{(2 + a_o/W)}{(1 - a_o/W)^{3/2}} [0.76 + 4.8(a_o/W) - 11.58(a_o/W)^2 + 11.43(a_o/W)^3 - 4.08(a_o/W)^4], \quad (8)$$

and a_o = initial crack size.

9.1.3 For SE(B) specimens of both $B \times B$ and $B \times 2B$ cross sections and span-to-width ratios of 4, the elastic component of J is calculated as follows:

$$J_e = \frac{(1 - \nu^2) K_e^2}{E} \quad (9)$$

where:

$$K_e = \{PS/[(BB_N)^{1/2} W^{3/2}]\} f(a_o/W),$$

$$f(a_o/W) = \frac{3(a_o/W)^{1/2}}{2[1 + 2(a_o/W)]} \frac{1.99 - (a_o/W)(1 - a_o/W)[2.15 - 3.93(a_o/W) + 2.7(a_o/W)^2]}{(1 - a_o/W)^{3/2}}, \quad (10)$$

and a_o = the initial crack size.

9.1.4 The plastic component of J is calculated as follows:

$$J_p = \frac{\eta A_p}{B_N b_o} \quad (11)$$

where:

$$A_p = A - 1/2 C_o P^2,$$

$$A = A_e + A_p \text{ (see Fig. 5),}$$

$$C_o = \text{reciprocal of the initial elastic slope, } V/P \text{ (Fig. 5),}$$

and <http://standards.iteh.ai/catalog/standards/sist/66a97bd8-4268-a0e4-cf93ced2fb89/astm-e1921-03>

$$b_o = \text{initial remaining ligament.}$$

9.1.4.1 For standard and disk-shaped compact specimens, A is based on load-line displacement (LLD) and $\eta = 2 + 0.522 b_o^p/W$. For bend bar specimens of both $B \times B$ and $B \times 2B$ cross sections and span-to-width ratios of 4, A_p may be based on

either LLD or crack-mouth opening displacement (CMOD). Using LLD, $\eta = 1.9$. Values of η for bend bars based on CMOD are discussed in 6.5.2.

9.1.5 K_{Jc} is determined for each datum from J at onset of cleavage fracture, J_c . Assume plane strain for elastic modulus, E :

$$K_{Jc} = \sqrt{J_c \frac{E}{1 - \nu^2}} \quad (12)$$

9.1.6 All data with K_{Jc} in excess of the limits prescribed in 8.9.2 are considered invalid, but values can be used in the censoring analysis that is described in 10.2.2 or 10.4.2 as appropriate. Invalid data developed as a part of a data set disqualifies that data set for analysis by 10.2.1.

9.2 Pop-in Evaluation—Test records that can be used for K_{Jc} analyses are those that show complete specimen separation due to cleavage fracture and those that show pop-in. If a load-displacement record shows a small but perceptible discontinuity without the audible click of the typical pop-in, a mid-test decision will be needed. Following Fig. 6, determine the post pop-in to initial compliance ratio, C_i/C_o , and compare this to the value of the right-hand side of the following inequality which implies that a pop-in has occurred:

$$\frac{C_i}{C_o} > \left[1 + 0.01 \eta \left(\frac{W}{a_o} - 1 \right)^{-1} \right] \quad (13)$$

where:

a_o = nominal initial crack size (high accuracy on dimension a_o is not required here), and

η = parameter based on LLD defined in 9.1.4.1.

Eq 13 involves the use, by approximation, of the plastic parameter, η , in an otherwise elastic equation, as suggested in Test Method E 1820. When $a_o/W = 0.5$, C_i/C_o shall be greater than 1.02, to follow the pop-in evaluation procedure prescribed in 8.9.5.

9.3 Outlier—Occasionally, an individual K_{Jc} datum will appear to deviate greatly from the remainder of the data set. The impact and character of this datum can be evaluated as follows. First determine the 2 % and 98 % tolerance bounds using the equations below:

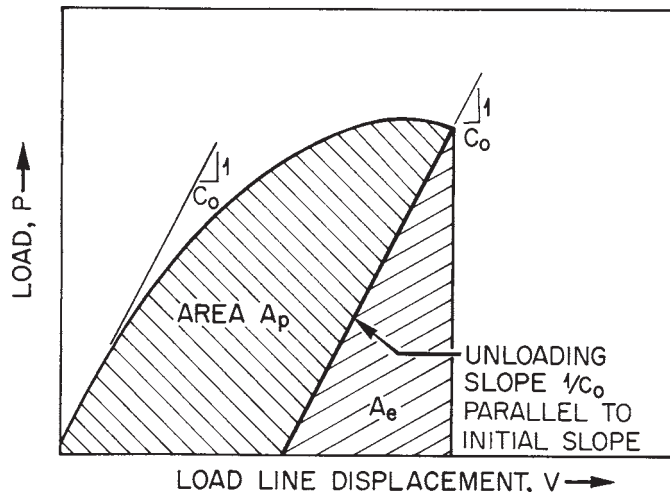


FIG. 5 Definition of the Plastic Area for J_p Calculations