
**Tools for pressing — Punches with
cylindrical head and straight or reduced
shank**

Outillage de presse — Poinçons à tête cylindrique et à corps droit ou épaulé

iTeh Standards
(<https://standards.iteh.ai>)
Document Preview

[ISO 8020:2002](#)

<https://standards.iteh.ai/catalog/standards/iso/8804a7ee-4f50-4c64-a3e7-3d239e891cd2/iso-8020-2002>



Reference number
ISO 8020:2002(E)

PDF disclaimer

This PDF file may contain embedded typefaces. In accordance with Adobe's licensing policy, this file may be printed or viewed but shall not be edited unless the typefaces which are embedded are licensed to and installed on the computer performing the editing. In downloading this file, parties accept therein the responsibility of not infringing Adobe's licensing policy. The ISO Central Secretariat accepts no liability in this area.

Adobe is a trademark of Adobe Systems Incorporated.

Details of the software products used to create this PDF file can be found in the General Info relative to the file; the PDF-creation parameters were optimized for printing. Every care has been taken to ensure that the file is suitable for use by ISO member bodies. In the unlikely event that a problem relating to it is found, please inform the Central Secretariat at the address given below.

iTeh Standards
(<https://standards.itih.ai>)
Document Preview

ISO 8020:2002

<https://standards.itih.ai/catalog/standards/iso/8804a7ee-4f50-4c64-a3e7-3d239e891cd2/iso-8020-2002>

© ISO 2002

All rights reserved. Unless otherwise specified, no part of this publication may be reproduced or utilized in any form or by any means, electronic or mechanical, including photocopying and microfilm, without permission in writing from either ISO at the address below or ISO's member body in the country of the requester.

ISO copyright office
Case postale 56 • CH-1211 Geneva 20
Tel. + 41 22 749 01 11
Fax + 41 22 749 09 47
E-mail copyright@iso.ch
Web www.iso.ch

Printed in Switzerland

Contents

	Page
1 Scope	1
2 Normative references	1
3 Terms and definitions	1
4 Dimensions	2
5 Material and hardness	10
6 Designation	10

iTeh Standards
(<https://standards.itih.ai>)
Document Preview

[ISO 8020:2002](https://standards.itih.ai/catalog/standards/iso/8804a7ee-4f50-4c64-a3e7-3d239e891cd2/iso-8020-2002)

<https://standards.itih.ai/catalog/standards/iso/8804a7ee-4f50-4c64-a3e7-3d239e891cd2/iso-8020-2002>

Foreword

ISO (the International Organization for Standardization) is a worldwide federation of national standards bodies (ISO member bodies). The work of preparing International Standards is normally carried out through ISO technical committees. Each member body interested in a subject for which a technical committee has been established has the right to be represented on that committee. International organizations, governmental and non-governmental, in liaison with ISO, also take part in the work. ISO collaborates closely with the International Electrotechnical Commission (IEC) on all matters of electrotechnical standardization.

International Standards are drafted in accordance with the rules given in the ISO/IEC Directives, Part 3.

Draft International Standards adopted by the technical committees are circulated to the member bodies for voting. Publication as an International Standard requires approval by at least 75 % of the member bodies casting a vote.

Attention is drawn to the possibility that some of the elements of this International Standard may be the subject of patent rights. ISO shall not be held responsible for identifying any or all such patent rights.

International Standard ISO 8020 was prepared by Technical Committee ISO/TC 29, *Small tools*, Subcommittee SC 8, *Tools for pressing and moulding*.

This third edition cancels and replaces the second edition (ISO 8020:1992), as well as ISO 8021:1986 where the tolerances on the diameters and on the point diameter have been technically revised.

(<https://standards.iteh.ai>)
Document Preview

[ISO 8020:2002](https://standards.iteh.ai)

<https://standards.iteh.ai/catalog/standards/iso/8804a7ee-4f50-4c64-a3e7-3d239e891cd2/iso-8020-2002>

Tools for pressing — Punches with cylindrical head and straight or reduced shank

1 Scope

This International Standard specifies the basic dimensions and tolerances, in millimetres, of punches with cylindrical head and straight or reduced shank.

Cylindrical head punches with reduced shank are standardized in round, oblong, square and rectangular shapes.

This International Standard gives examples of materials and their hardness, and specifies the designation of punches.

These punches are available with shank diameters, D_1 , from 3 mm to 32 mm.

The main use of the punches specified in this International Standard is for punching holes in steel sheet. They may also be used for punching in other materials.

2 Normative references

The following normative documents contain provisions which, through reference in this text, constitute provisions of this International Standard. For dated references, subsequent amendments to, or revisions of, any of these publications do not apply. However, parties to agreements based on this International Standard are encouraged to investigate the possibility of applying the most recent editions of the normative documents indicated below. For undated references, the latest edition of the normative document referred to applies. Members of ISO and IEC maintain registers of currently valid International Standards.

ISO 8695:1987, *Tools for pressing — Punches — Nomenclature and terminology*

ISO 2768-1:1989, *General tolerances — Part 1: Tolerances for linear and angular dimensions without individual tolerance indications*

3 Terms and definitions

For the purposes of this International Standard, the terms and definitions given in ISO 8695 apply.

4 Dimensions

4.1 Perforating punches

4.1.1 Punches with straight shank — Type A

See Figure 1 and Table 1.

General tolerance: ISO 2768m
Surface roughness values in micrometers

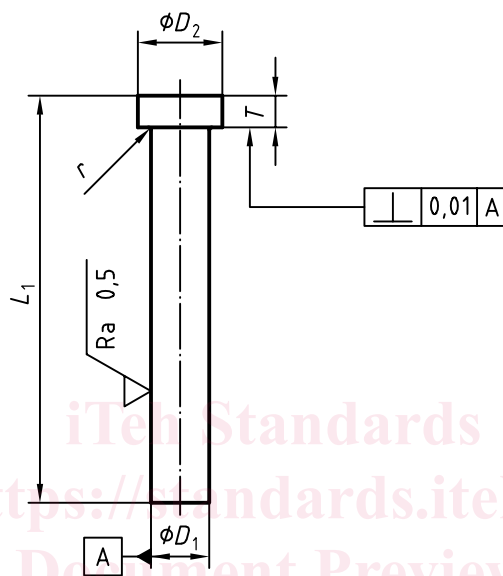


Figure 1

ISO 8020:2002

<https://standards.iteh.ai/catalog/standards/iso/8804a7ee-4f50-4c64-a3e7-3d239e891cd2/iso-8020-2002>

Table 1

D_1 m5	D_2 $\begin{matrix} 0 \\ -0,25 \end{matrix}$	T $\begin{matrix} +0,25 \\ 0 \end{matrix}$	r $\begin{matrix} +0,1 \\ 0 \end{matrix}$	L_1 $\begin{matrix} +1 \\ 0 \end{matrix}$						
				56	63	71	80	90	100	120
3	5	3	0,2	x	x	x	x	x		
4	6			x	x	x	x	x		
5	8	5	0,3	x	x	x	x	x	x	x
6	9			x	x	x	x	x	x	x
8	11			x	x	x	x	x	x	x
10	13			x	x	x	x	x	x	x
13	16				x	x	x	x	x	
16	19				x	x	x	x	x	
20	23				x	x	x	x	x	
25	28				x	x	x	x	x	
32	35			x	x	x	x	x		