



# SLOVENSKI STANDARD SIST EN ISO 5172:1999

01-december-1999

---

D]bg\_Uj Uf]bUcdfYa UĚFc b][ cf]b]\_]nUd`Ua Ybg\_c`j Uf`Yb`YžfYnUb`Y]b  
gY[ fYj Ub`Y!`Gd`cybYnU hYj Y]b`dfYg\_i g]f`GC`) %&% - ) žj \_`f i `Y8cdc`b]c  
%% - ) Ł

Manual blowpipes for welding, cutting and heating - Specifications and tests (ISO 5172:1995, including Amendment 1:1995)

Handbrenner für Gasschweißen, Schneiden und Wärmen - Anforderungen und Prüfungen (ISO 5172:1995 einschliesslich Änderung 1:1995)

Chalumaux manuels pour soudage aux gaz, coupage et chauffage - Spécifications et essais (ISO 5172:1995 inclus Amendement 1:1995)

Ta slovenski standard je istoveten z: **EN ISO 5172:1996**

---

**ICS:**

25.160.30      Varilna oprema      Welding equipment

**SIST EN ISO 5172:1999**      en

**iTeh STANDARD PREVIEW**  
**(standards.iteh.ai)**

[SIST EN ISO 5172:1999](https://standards.iteh.ai/catalog/standards/sist/1fcd95cd-9656-4a6d-85de-253f27211475/sist-en-iso-5172-1999)

<https://standards.iteh.ai/catalog/standards/sist/1fcd95cd-9656-4a6d-85de-253f27211475/sist-en-iso-5172-1999>

EUROPEAN STANDARD

EN ISO 5172

NORME EUROPÉENNE

EUROPÄISCHE NORM

October 1996

ICS 25.160.30

Descriptors: see ISO document

English version

**Manual blowpipes for welding, cutting and  
heating - Specifications and tests  
(ISO 5172:1995, including Amendment 1:1995)**

Chalumeaux manuels pour soudage aux gaz,  
coupage et chauffage - Spécifications et essais  
(ISO 5172:1995 inclus Amendement 1:1995)

Handbrenner für Gasschweißen, Schneiden und  
Wärmen - Anforderungen und Prüfungen  
(ISO 5172:1995 einschließlich Änderung 1:1995)

This European Standard was approved by CEN on 1996-09-27. CEN members are bound to comply with the CEN/CENELEC Internal Regulations which stipulate the conditions for giving this European Standard the status of a national standard without any alteration.

Up-to-date lists and bibliographical references concerning such national standards may be obtained on application to the Central Secretariat or to any CEN member.

The European Standards exist in three official versions (English, French, German). A version in any other language made by translation under the responsibility of a CEN member into its own language and notified to the Central Secretariat has the same status as the official versions.

CEN members are the national standards bodies of Austria, Belgium, Denmark, Finland, France, Germany, Greece, Iceland, Ireland, Italy, Luxembourg, Netherlands, Norway, Portugal, Spain, Sweden, Switzerland and United Kingdom.

**CEN**

European Committee for Standardization  
Comité Européen de Normalisation  
Europäisches Komitee für Normung

Central Secretariat: rue de Stassart, 36 B-1050 Brussels

## Foreword

The text of the International Standard from Technical Committee ISO/TC 44 "Welding and allied processes" of the International Organization for Standardization (ISO) has been taken over as an European Standard by Technical Committee CEN/TC 121 "Welding", the secretariat of which is held by DS.

This European Standard shall be given the status of a national standard, either by publication of an identical text or by endorsement, at the latest by April 1997, and conflicting national standards shall be withdrawn at the latest by April 1997.

According to the CEN/CENELEC Internal Regulations, the national standards organizations of the following countries are bound to implement this European Standard: Austria, Belgium, Denmark, Finland, France, Germany, Greece, Iceland, Ireland, Italy, Luxembourg, Netherlands, Norway, Portugal, Spain, Sweden, Switzerland and the United Kingdom.

## Endorsement notice

The text of the International Standard ISO 5172:1995 has been approved by CEN as a European Standard without any modification.

NOTE: Normative references to International Standards are listed in annex ZA (normative)

**iTeh STANDARD PREVIEW**  
**(standards.iteh.ai)**

[SIST EN ISO 5172:1999](https://standards.iteh.ai/catalog/standards/sist/1fcd95cd-9656-4a6d-85de-253f27211475/sist-en-iso-5172-1999)

<https://standards.iteh.ai/catalog/standards/sist/1fcd95cd-9656-4a6d-85de-253f27211475/sist-en-iso-5172-1999>

**Annex ZA (normative)**  
**Normative references to international publications**  
**with their relevant European publications**

This European Standard incorporates by dated or undated reference, provisions from other publications. These normative references are cited at the appropriate places in the text and the publications are listed hereafter. For dated references, subsequent amendments to or revisions of any of these publications apply to this European Standard only when incorporated in it by amendment or revision. For undated references the latest edition of the publication referred to applies.

<u>Publication</u>	<u>Year</u>	<u>Title</u>	<u>EN</u>	<u>Year</u>
ISO 9090	1989	Gas tightness of equipment for gas welding and allied processes	EN 209090	1992
ISO 9539	1988	Materials for equipment used in gas welding, cutting and allied processes	EN 29539	1992

**iTeh STANDARD PREVIEW**  
**(standards.iteh.ai)**

[SIST EN ISO 5172:1999](https://standards.iteh.ai/catalog/standards/sist/1fcd95cd-9656-4a6d-85de-253f27211475/sist-en-iso-5172-1999)

<https://standards.iteh.ai/catalog/standards/sist/1fcd95cd-9656-4a6d-85de-253f27211475/sist-en-iso-5172-1999>

**iTeh STANDARD PREVIEW**  
**(standards.iteh.ai)**

[SIST EN ISO 5172:1999](#)

<https://standards.iteh.ai/catalog/standards/sist/1fcd95cd-9656-4a6d-85de-253f27211475/sist-en-iso-5172-1999>

INTERNATIONAL  
STANDARD

**ISO**  
**5172**

Second edition  
1995-05-01

---

---

**Manual blowpipes for welding, cutting and  
heating — Specifications and tests**

**iTeh STANDARD PREVIEW**

*Chalumeaux manuels pour soudage aux gaz, coupage et chauffage —  
Spécifications et essais*  
**(standards.iteh.ai)**

[SIST EN ISO 5172:1999](https://standards.iteh.ai/catalog/standards/sist/1fcd95cd-9656-4a6d-85de-253f27211475/sist-en-iso-5172-1999)

<https://standards.iteh.ai/catalog/standards/sist/1fcd95cd-9656-4a6d-85de-253f27211475/sist-en-iso-5172-1999>



Reference number  
ISO 5172:1995(E)

## ISO 5172:1995(E)

## Foreword

ISO (the International Organization for Standardization) is a worldwide federation of national standards bodies (ISO member bodies). The work of preparing International Standards is normally carried out through ISO technical committees. Each member body interested in a subject for which a technical committee has been established has the right to be represented on that committee. International organizations, governmental and non-governmental, in liaison with ISO, also take part in the work. ISO collaborates closely with the International Electrotechnical Commission (IEC) on all matters of electrotechnical standardization.

Draft International Standards adopted by the technical committees are circulated to the member bodies for voting. Publication as an International Standard requires approval by at least 75 % of the member bodies casting a vote.

International Standard ISO 5172 was prepared by Technical Committee ISO/TC 44, *Welding and allied processes*, Subcommittee SC 8, *Gas welding equipment*.

This second edition cancels and replaces the first edition (ISO 5172:1977), which has been technically revised.

Annex A of this International Standard is for information only.

© ISO 1995

All rights reserved. Unless otherwise specified, no part of this publication may be reproduced or utilized in any form or by any means, electronic or mechanical, including photocopying and microfilm, without permission in writing from the publisher.

International Organization for Standardization  
Case Postale 56 • CH-1211 Genève 20 • Switzerland

Printed in Switzerland



# Manual blowpipes for welding, cutting and heating — Specifications and tests

## 1 Scope

This International Standard specifies the characteristics of manual blowpipes for gas welding, cutting and heating of metals and gives specifications and corresponding tests.

This International Standard covers manual blowpipes for welding and heating up to 1 800 l/h to 2 500 l/h fuel gas and cutting blowpipes for cutting structural steel up to a thickness of 300 mm.

Air aspirated blowpipes are excluded from this International Standard (see ISO 9012).

NOTE 1 In addition to terms used in two of the three official ISO languages (English and French), this International Standard gives the equivalent terms in the German language; these are published under the responsibility of the member body for Germany (DIN).

However, only the terms given in the official languages can be considered as ISO terms.

## 2 Normative references

The following standards contain provisions which, through reference in this text, constitute provisions of this International Standard. At the time of publication, the editions indicated were valid. All standards are subject to revision, and parties to agreements based on this International Standard are encouraged to investigate the possibility of applying the most recent editions of the standards indicated below. Members of IEC and ISO maintain registers of currently valid International Standards.

ISO 554:1976, *Standard atmospheres for conditioning and/or testing — Specifications*.

ISO 3253:1975, *Hose connections for equipment for welding, cutting and related processes*.

ISO 5175:1987, *Equipment used in gas welding, cutting and allied processes — Safety devices for fuel gases and oxygen or compressed air — General specifications, requirements and tests*.

ISO 9012:1988, *Air-aspirated hand blowpipes — Specifications*.

ISO 9090:1989, *Gas tightness of equipment for gas welding and allied processes*.

ISO 9539:1988, *Materials for equipment used in gas welding, cutting and allied processes*.

## 3 Definitions

For the purposes of this International Standard, the following definitions apply.

Terminology concerning gas welding, cutting and heating blowpipes is given in annex A.

### 3.1 Common types of mixing systems

**3.1.1 injector-mixer:** Mixing system in which the fuel gas and the oxidizing gas are mixed by the action of the latter which, being discharged from the orifice of the injector, reduces the pressure, thus entraining the fuel gas. Accordingly, when the valve in the fuel gas channel is closed while the oxidizing gas is normally discharged, the pressure in this channel is below the atmospheric pressure. If, at the same time, the fuel gas hose connecting nipple is exposed to the atmosphere, air will be entrained (fuel gas valve open) (see figure 1).

**3.1.2 mixer without injector action:** Mixing system in which the fuel gas and the oxidizing gas are mixed when the latter is discharged from the orifice and meets the fuel gas which is discharged at nearly identical pressure. When the valve in the fuel gas channel is closed while the oxidizing gas is dis-

charged, the pressure in this channel is higher than the atmospheric pressure. If, at the same time, the fuel gas hose connecting nipple is exposed to the atmosphere, oxidizing gas will be discharged (fuel gas valve open) (see figure 2).

NOTE 2 Position of the mixing systems: the mixing systems according to 3.1.1 and 3.1.2 are usually in the shank; they may also be between the shank and nozzle or in the nozzle.

### 3.2 High-pressure and low-pressure blowpipes

**3.2.1 high-pressure blowpipe:** A blowpipe in which the pressure of both the fuel gas and the oxidizing gas measured immediately before the point of mixing is higher than the pressure of the gas mixture measured downstream between mixer and nozzle (see figure 2).

**3.2.2 low-pressure blowpipe:** A blowpipe in which the fuel gas pressure measured immediately before the point of mixing is lower than the pressure of the gas mixture measured downstream between mixer and nozzle (see figure 1).

### 3.3 Blowpipes classified according to the possibility of varying the flow rate

**3.3.1 blowpipe with a single flow rate:** A blowpipe which, due to design, gives a single nominal gas flow rate which can only be varied within narrow limits.

**3.3.2 blowpipe with multiple flow rates:** A blowpipe giving a range of flow rates corresponding to a series of nozzles.

**3.3.2.1 blowpipe with multiple gas flow rates adjusted by means of the injector:** A blowpipe with multiple gas flow rates which are varied by means of a device for adjustment of the injector cross-section (blowpipe with variable injector).

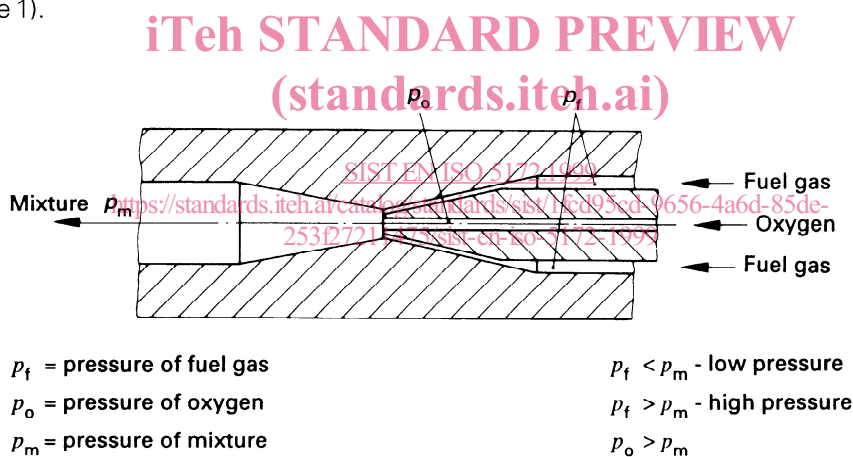


Figure 1 — Injector-mixer (low and high pressure)

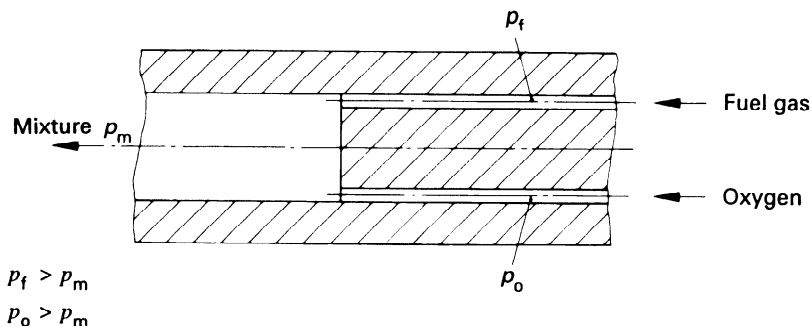


Figure 2 — Mixer without injector action

**3.3.2.2 blowpipe with multiple gas flow rates adjusted by the pressure:** A blowpipe with multiple gas flow rates which are varied by adjusting the feed pressures (blowpipe with fixed mixer).

**3.3.2.3 blowpipe with multiple gas flow rates adjusted by changing the injector:** A blowpipe with multiple gas flow rates which are varied by changing the injector. The latter often forms a single component with the outlet nozzle (blowpipe with interchangeable nozzle).

**3.3.2.4 blowpipe with multiple gas flow rates adjusted by means of gas control valves:** A blowpipe with multiple gas flow rates which are varied by means of the adjustment valves.

### 3.4 Cutting blowpipes classified according to the mixing position

**3.4.1 blowpipe with preliminary mixer:** A blowpipe in which the mixture of heating oxygen and fuel gas is ensured by the injector-mixer located before the cutting nozzle.

**3.4.2 blowpipe with nozzle mixing:** A blowpipe in which the heating oxygen and fuel gas ways are independent in the blowpipe and the head. The gases are mixed in the cutting nozzle (nozzle mixing).

### 3.5 Backfire, sustained backfire, flashback, backflow

**3.5.1 backfire:** The return of the flame into the blowpipe with a popping sound, the flame being either extinguished or reignited at the nozzle.

**3.5.2 sustained backfire:** The return of the flame into the blowpipe with continued burning within the neck or mixer. (This may be accompanied by an initial popping sound followed by a continuous hissing sound caused by continued burning within the blowpipe.)

**3.5.3 flashback:** The return of the flame through the blowpipe into the hoses and even the regulators. It may also reach the acetylene cylinder, causing heating and decomposition of the contents.

**3.5.4 backflow:** Flowing back of the gas at the higher pressure into the hose of the gas at the lower pressure. This can be caused by the nozzle exit becoming blocked or restricted.

## 4 Hose connections

The nipples shall be either permanently fitted to the

shank or detachable. The external profile of the nipples is left to the choice of manufacturer. Where a threaded union connection is used it shall conform to ISO 3253.

## 5 Material

The material requirements, according to ISO 9539, shall be fulfilled.

Components in contact with oxygen shall be free from oil, grease and other contaminants.

## 6 Marking

The marking shall be legible and durable.

### 6.1 Marking of the blowpipe

The blowpipe shank shall carry the name or registered trade mark of the manufacturer (the term "manufacturer" includes distributors, suppliers or importers) and the reference number of this International Standard. The marking should be according to 6.6 and 6.7. The connection adjacent to the oxygen inlet of blowpipes with fixed hose connecting nipples shall be identified by the letter "O".

### 6.2 Marking of oxygen valves

The heating oxygen valves (body or knob) shall be identified by the letter "O" and/or the colour blue.

The cutting oxygen valve shall be identified if similarly designed.

### 6.3 Marking of nozzles

All nozzles shall be marked with the name, registered trade mark or identifying mark of the manufacturer, the symbol identifying the fuel gas and a code to allow easy reference to the manufacturer's operating data.

### 6.4 Marking of interchangeable components

Where mismatching of interchangeable components (e.g. mixer and injector) could occur, an identifying code, the manufacturer's trade mark and the symbol identifying the fuel gas shall be marked and shown in the operating data.

### 6.5 Marking of cutting attachment

If it is separable, the cutting attachment shall be marked with the name, the registered trade mark or

the identifying mark of the manufacturer (the term "manufacturer" includes distributors, suppliers or importers).

## 6.6 Marking of mixers

The user is advised to refer to the operating instructions provided by the manufacturer (see clause 9). If operating pressures are marked on any part of the blowpipe they shall be indicated in bar.

If the mixing device is symbolically marked, indicating the blowpipe type, the marking should conform to the symbols shown in figures 3 to 5.



Figure 3 — Fuel gas injector-mixer



Figure 4 — Mixer without injector action

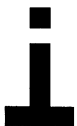


Figure 5 — Fuel gas injector-mixer with backflow resistance according to 7.1.5

## 6.7 Gases to be used, symbols for gases

The following gases may be used. Where the full name of the gas cannot be imprinted the symbols given in table 1 shall be used.

Table 1 — Designations and symbols for the gases

Designations	Symbols
Oxygen	O
Acetylene	A
Propane, Butane or LPG (Liquefied petroleum gas)	P
Natural gas, Methane	M
Hydrogen	H
MPS (Methylacetylene-propadiene mixtures) and other fuel gas mixtures	Y
Compressed air	D

For blowpipes, nozzles and interchangeable components capable of use with more than one fuel gas the abbreviation F shall be used. Operating data shall give details on fuel gases for which these components are suitable.

## 7 Safety and operational requirements

### 7.1 Safety requirements

#### 7.1.1 Gas tightness

The blowpipe shall comply with the requirements of ISO 9090 when tested as to the methods specified in it. The test, according to ISO 9090, shall be carried out on new blowpipes and after the valve endurance test in 8.4, after the sustained backfire tests 8.2.3 or 8.2.4 and the overheating tests according to 8.2.1 or 8.2.2.

#### 7.1.2 Strength requirements

The blowpipes shall be robust and suitable for the purpose intended. They shall be able to resist maltreatment due to incorrect operation and handling, for example backfire and shock.

#### 7.1.3 Valve design

Each gas line shall be separately closed with a valve. Valve elements shall remain captive in all positions.

#### 7.1.4 Blowpipes' resistance to sustained backfire

##### 7.1.4.1 Resistance to sustained backfire due to overheating

The blowpipe shall not sustain a backfire in the mixer or injector without a warning period of 2 s from the