



# SLOVENSKI STANDARD SIST EN 3155-063:2009

01-julij-2009

5 YfcbUj h\_U!`9`Y\_f] b]`\_cbhU\_h`nUi dcfUvc`j`j Ynb] \ `YYa Ybh] \ `!`\$`' ``XY.  
?cbhU\_h]žYY\_f] b]ž\_cU\_g]Ubjž) \$`c\ a cj žj Y]\_cgh%ž a cy\_ž]hd`8 žnUgdU^\_Ub^ž  
fUhfYX`F`!`GhUbXUfX`nUdfc]nj cX

Aerospace series - Electrical contacts used in elements of connection - Part 063:  
Contacts, electrical, coaxial, 50 ohms, size 1, male, type D, solder, class R - Product  
standard

**STANDARD PREVIEW**

Luft- und Raumfahrt - Elektrische Kontakte zur Verwendung in Verbindungselementen -  
Teil 063: Elektrische koaxiale, Stifkontakte, 50 Ohm, Größe 1, Typ D, zum Löten, Klasse  
R - Produktnorm

[SIST EN 3155-063:2009](https://standards.iteh.ai/catalog/standards/sist/bc41a25f-6d9f-4290-8598-)

<https://standards.iteh.ai/catalog/standards/sist/bc41a25f-6d9f-4290-8598->

Série aérospatiale - Contacts électriques utilisés dans les organes de connexion - Partie  
063 : Contacts électriques coaxiaux, 50 ohms, taille 1, mâles, type D, à souder, classe R  
- Norme de produit

**Ta slovenski standard je istoveten z: EN 3155-063:2009**

### ICS:

49.060 Š^cp \ æš Ā^• [ |b \ æ Aerospace electric  
^|\ dā } æ] !^ { æš Ā ã c { ã equipment and systems

**SIST EN 3155-063:2009**

**en**

**iTeh STANDARD PREVIEW**  
**(standards.iteh.ai)**

SIST EN 3155-063:2009

<https://standards.iteh.ai/catalog/standards/sist/bc41a25f-6d9f-4290-8598-7d7d16188f29/sist-en-3155-063-2009>

EUROPEAN STANDARD  
NORME EUROPÉENNE  
EUROPÄISCHE NORM

**EN 3155-063**

May 2009

ICS 49.060

English Version

**Aerospace series - Electrical contacts used in elements of  
connection - Part 063: Contacts, electrical, coaxial, 50 ohms,  
size 1, male, type D, solder, class R - Product standard**

Série aérospatiale - Contacts électriques utilisés dans les  
organes de connexion - Partie 063 : Contacts électriques  
coaxiaux, 50 ohms, taille 1, mâles, type D, à souder, classe  
R - Norme de produit

Luft- und Raumfahrt - Elektrische Kontakte zur Verwendung  
in Verbindungselementen - Teil 063: Elektrische koaxiale,  
Stiftkontakte, 50 Ohm, Größe 1, Typ D, zum Löten, Klasse  
R - Produktnorm

This European Standard was approved by CEN on 31 January 2009.

CEN members are bound to comply with the CEN/CENELEC Internal Regulations which stipulate the conditions for giving this European Standard the status of a national standard without any alteration. Up-to-date lists and bibliographical references concerning such national standards may be obtained on application to the CEN Management Centre or to any CEN member.

This European Standard exists in three official versions (English, French, German). A version in any other language made by translation under the responsibility of a CEN member into its own language and notified to the CEN Management Centre has the same status as the official versions.

CEN members are the national standards bodies of Austria, Belgium, Bulgaria, Cyprus, Czech Republic, Denmark, Estonia, Finland, France, Germany, Greece, Hungary, Iceland, Ireland, Italy, Latvia, Lithuania, Luxembourg, Malta, Netherlands, Norway, Poland, Portugal, Romania, Slovakia, Slovenia, Spain, Sweden, Switzerland and United Kingdom.



EUROPEAN COMMITTEE FOR STANDARDIZATION  
COMITÉ EUROPÉEN DE NORMALISATION  
EUROPÄISCHES KOMITEE FÜR NORMUNG

**Management Centre: Avenue Marnix 17, B-1000 Brussels**

<b>Contents</b>		Page
Foreword.....		3
Introduction .....		4
1 <b>Scope</b> .....		5
2 <b>Normative references</b> .....		5
3 <b>Terms and definitions</b> .....		5
4 <b>Required characteristics</b> .....		5
5 <b>Designation</b> .....		14
6 <b>Marking</b> .....		15
7 <b>Delivery conditions</b> .....		15
8 <b>Technical specification</b> .....		15
Bibliography .....		16

**iTeh STANDARD PREVIEW**  
**(standards.iteh.ai)**

[SIST EN 3155-063:2009](https://standards.iteh.ai/catalog/standards/sist/bc41a25f-6d9f-4290-8598-7d7d16188f29/sist-en-3155-063-2009)

<https://standards.iteh.ai/catalog/standards/sist/bc41a25f-6d9f-4290-8598-7d7d16188f29/sist-en-3155-063-2009>

## Foreword

This document (EN 3155-063:2009) has been prepared by the Aerospace and Defence Industries Association of Europe - Standardization (ASD-STAN).

This European Standard shall be given the status of a national standard, either by publication of an identical text or by endorsement, at the latest by November 2009, and conflicting national standards shall be withdrawn at the latest by November 2009.

Attention is drawn to the possibility that some of the elements of this document may be the subject of patent rights. CEN [and/or CENELEC] shall not be held responsible for identifying any or all such patent rights.

After enquiries and votes carried out in accordance with the rules of this Association, this Standard has received the approval of the National Associations and the Official Services of the member countries of ASD, prior to its presentation to CEN.

According to the CEN/CENELEC Internal Regulations, the national standards organizations of the following countries are bound to implement this European Standard: Austria, Belgium, Bulgaria, Cyprus, Czech Republic, Denmark, Estonia, Finland, France, Germany, Greece, Hungary, Iceland, Ireland, Italy, Latvia, Lithuania, Luxembourg, Malta, Netherlands, Norway, Poland, Portugal, Romania, Slovakia, Slovenia, Spain, Sweden, Switzerland and the United Kingdom.

**ITEH STANDARD PREVIEW**  
**(standards.iteh.ai)**

SIST EN 3155-063:2009

<https://standards.iteh.ai/catalog/standards/sist/bc41a25f-6d9f-4290-8598-7d7d16188f29/sist-en-3155-063-2009>

EN 3155-063:2009 (E)

## Introduction

The contacts defined by this standard are derived from those of SAE-AS39029/97, and intermateable with those of SAE-AS39029/98.

**iTeh STANDARD PREVIEW**  
**(standards.iteh.ai)**

[SIST EN 3155-063:2009](#)

<https://standards.iteh.ai/catalog/standards/sist/bc41a25f-6d9f-4290-8598-7d7d16188f29/sist-en-3155-063-2009>

## 1 Scope

This standard specifies the required characteristics, tests and tooling applicable to male electrical coaxial contacts, size 1, type D, class R, used in elements of connection according to EN 3155-002.

It is intended to be used together with EN 3155-001.

The associated female contacts are defined in EN 3155-064.

## 2 Normative references

The following referenced documents are indispensable for the application of this document. For dated references, only the edition cited applies. For undated references, the latest edition of the referenced document (including any amendments) applies.

EN 2591-100\*, *Aerospace series — Elements of electrical and optical connection — Test methods — Part 100: General*

EN 3155-001, *Aerospace series — Electrical contacts used in elements of connection — Part 001: Technical specification*<sup>1</sup>

EN 3682-001, *Aerospace series — Connectors, plug and receptacle, electrical, rectangular, interchangeable insert type, rack to panel, operating temperature 150 °C continuous — Part 001: Technical specification*

TR 6058, *Aerospace series — Cable code identification list*<sup>2</sup>

<https://standards.iteh.ai/catalog/standards/sist/bc41a25f-6d9f-4290-8598-7d7d16188f29/sist-en-3155-063-2009>

## 3 Terms and definitions

For the purposes of this standard, the terms and definitions given in EN 3155-001 apply.

## 4 Required characteristics

### 4.1 Specific characteristics

Type D contacts are for application where contacts with a screening feature are requested and class R corresponds to an operating temperature range from – 65 °C to 150 °C.

### 4.2 Dimensions and mass

See Figures 1 and 2.

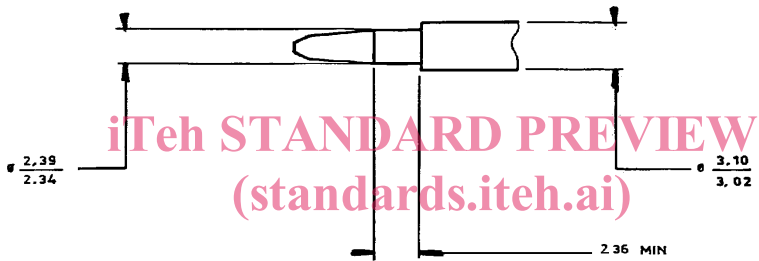
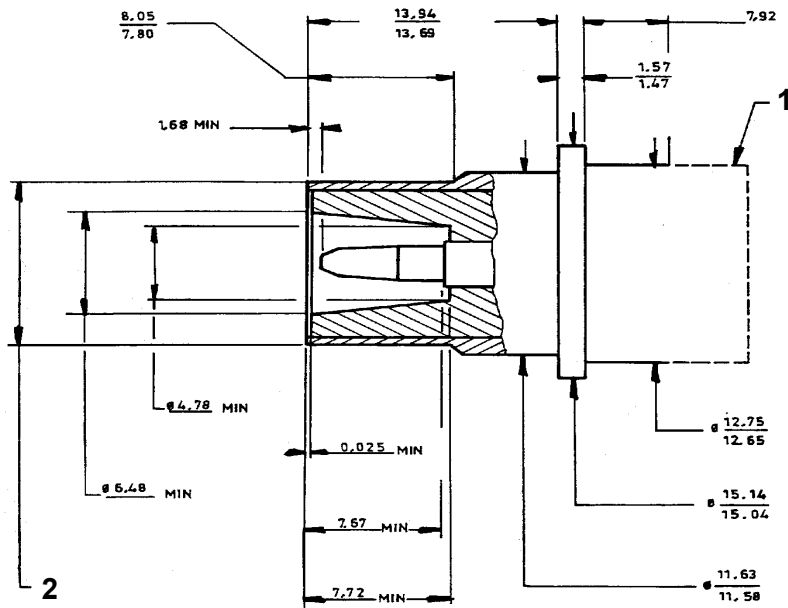
Dimensions and tolerances are given in millimetres and apply after surface treatment.

---

\* All parts quoted in this document.

1 Published as ASD Prestandard at the date of publication of this standard.

2 Published as ASD Technical Report at the date of publication of this standard.

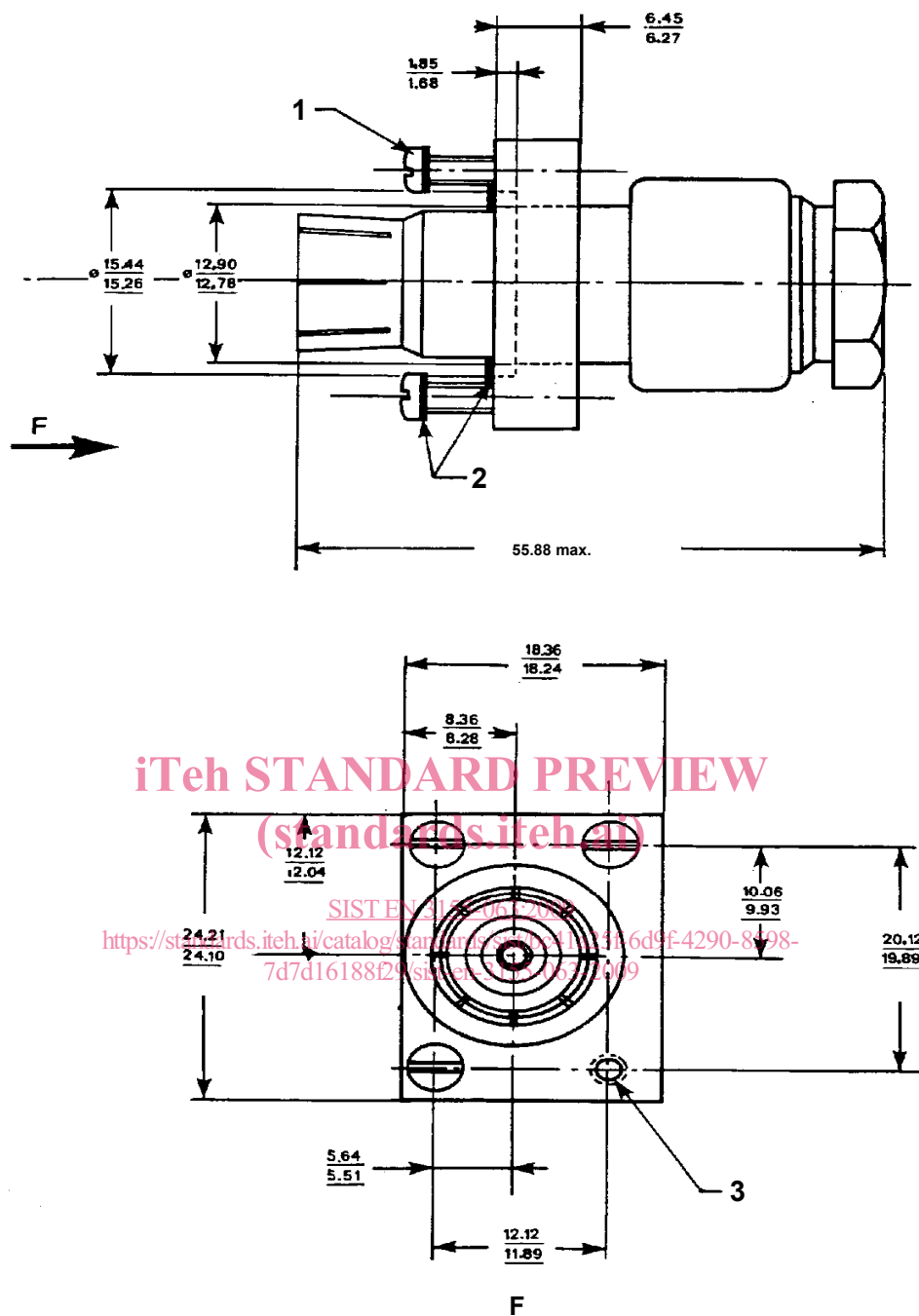


iTeh STANDARD PREVIEW  
 (standards.iteh.ai)  
 SIST EN 3155-063:2009  
 Inner pin contact  
<https://standards.iteh.ai/catalog/standards/sist/bc41a25f-6d9f-4290-8598-7d7d16188f29/sist-en-3155-063-2009>

- Key**
- 1 Dotted shape optional
  - 2 Flare to meet gage figure

**Figure 1**



**Key**

- 1 Screw size 4-40 UNC  $9,52 \pm 0,25$  length (4 PLS)
- 2 Seal (optional)
- 3 4-40 UNC-2B thread (4 PLS)

**Figure 2**

Mass: 48 g