



SLOVENSKI STANDARD SIST EN 3155-064:2009

01-julij-2009

5 YfcbUj h_U!`9`Y_f] b]`_cbhU_h`nUi dcfUvc`j`j Ynb] \ `YYa Ybh] \ `!`\$* (`XY.
?cbhU_h`z`YY_f] b]z`_cU_g]Ubj]z) \$`c\ a cj žj Y]_cgh`%ž`yYbg_]ž]hd`8 žnUgdU^_Ub`^ž
fUhfYX`F`!`GhUbxUf`X`nUdfc]nj cX

Aerospace series - Electrical contacts used in elements of connection - Part 064:
Contacts, electrical, coaxial, 50 ohms, size 1, female, type D, solder, class R - Product
standard

iTeh STANDARD PREVIEW
(standards.iteh.ai)

Luft- und Raumfahrt - Elektrische Kontakte zur Verwendung in Verbindungselementen -
Teil 064: Elektrische koaxiale, Buchsenkontakte, 50 Ohm, Größe 1, Typ D, zum Löten,
Klasse R - Produktnorm

[SIST EN 3155-064:2009](https://standards.iteh.ai/catalog/standards/sist/e8b99454-3129-4e46-a017-)

<https://standards.iteh.ai/catalog/standards/sist/e8b99454-3129-4e46-a017->

Série aérospatiale - Contacts électriques utilisés dans les organes de connexion - Partie
064 : Contacts électriques coaxiaux, 50 ohms, taille 1, femelles, type D, à souder, classe
R - Norme de produit

Ta slovenski standard je istoveten z: EN 3155-064:2009

ICS:

49.060 Š^c\`_aš`_A`^`[`|b` \`æ Aerospace electric
^|\`dã`}_a]`!`^`{`_aš`_A`ã`c`{`_ã equipment and systems

SIST EN 3155-064:2009

en

iTeh STANDARD PREVIEW
(standards.iteh.ai)

SIST EN 3155-064:2009

<https://standards.iteh.ai/catalog/standards/sist/e8b99454-3129-4e46-a017-1340711d0c4f/sist-en-3155-064-2009>

EUROPEAN STANDARD
NORME EUROPÉENNE
EUROPÄISCHE NORM

EN 3155-064

May 2009

ICS 49.060

English Version

Aerospace series - Electrical contacts used in elements of connection - Part 064: Contacts, electrical, coaxial, 50 ohms, size 1, female, type D, solder, class R - Product standard

Série aérospatiale - Contacts électriques utilisés dans les organes de connexion - Partie 064 : Contacts électriques coaxiaux, 50 ohms, taille 1, femelles, type D, à souder, classe R - Norme de produit

Luft- und Raumfahrt - Elektrische Kontakte zur Verwendung in Verbindungselementen - Teil 064: Elektrische koaxiale, Buchsenkontakte, 50 Ohm, Größe 1, Typ D, zum Lötten, Klasse R - Produktnorm

This European Standard was approved by CEN on 31 January 2009.

CEN members are bound to comply with the CEN/CENELEC Internal Regulations which stipulate the conditions for giving this European Standard the status of a national standard without any alteration. Up-to-date lists and bibliographical references concerning such national standards may be obtained on application to the CEN Management Centre or to any CEN member.

This European Standard exists in three official versions (English, French, German). A version in any other language made by translation under the responsibility of a CEN member into its own language and notified to the CEN Management Centre has the same status as the official versions.

CEN members are the national standards bodies of Austria, Belgium, Bulgaria, Cyprus, Czech Republic, Denmark, Estonia, Finland, France, Germany, Greece, Hungary, Iceland, Ireland, Italy, Latvia, Lithuania, Luxembourg, Malta, Netherlands, Norway, Poland, Portugal, Romania, Slovakia, Slovenia, Spain, Sweden, Switzerland and United Kingdom.



EUROPEAN COMMITTEE FOR STANDARDIZATION
COMITÉ EUROPÉEN DE NORMALISATION
EUROPÄISCHES KOMITEE FÜR NORMUNG

Management Centre: Avenue Marnix 17, B-1000 Brussels

Contents		Page
Foreword.....		3
Introduction		4
1 Scope		5
2 Normative references		5
3 Terms and definitions		5
4 Required characteristics		5
5 Designation		13
6 Marking		13
7 Delivery conditions		13
8 Technical specification		13
Bibliography		14

iTeh STANDARD PREVIEW
(standards.iteh.ai)

[SIST EN 3155-064:2009](#)

<https://standards.iteh.ai/catalog/standards/sist/e8b99454-3129-4e46-a017-1340711d0c4f/sist-en-3155-064-2009>

Foreword

This document (EN 3155-064:2009) has been prepared by the Aerospace and Defence Industries Association of Europe - Standardization (ASD-STAN).

This European Standard shall be given the status of a national standard, either by publication of an identical text or by endorsement, at the latest by November 2009, and conflicting national standards shall be withdrawn at the latest by November 2009.

Attention is drawn to the possibility that some of the elements of this document may be the subject of patent rights. CEN [and/or CENELEC] shall not be held responsible for identifying any or all such patent rights.

After enquiries and votes carried out in accordance with the rules of this Association, this Standard has received the approval of the National Associations and the Official Services of the member countries of ASD, prior to its presentation to CEN.

According to the CEN/CENELEC Internal Regulations, the national standards organizations of the following countries are bound to implement this European Standard: Austria, Belgium, Bulgaria, Cyprus, Czech Republic, Denmark, Estonia, Finland, France, Germany, Greece, Hungary, Iceland, Ireland, Italy, Latvia, Lithuania, Luxembourg, Malta, Netherlands, Norway, Poland, Portugal, Romania, Slovakia, Slovenia, Spain, Sweden, Switzerland and the United Kingdom.

ITEH STANDARD PREVIEW
(standards.iteh.ai)

[SIST EN 3155-064:2009](https://standards.iteh.ai/catalog/standards/sist/e8b99454-3129-4e46-a017-1340711d0c4f/sist-en-3155-064-2009)

<https://standards.iteh.ai/catalog/standards/sist/e8b99454-3129-4e46-a017-1340711d0c4f/sist-en-3155-064-2009>

EN 3155-064:2009 (E)

Introduction

The contacts defined by this standard are derived from those of SAE-AS39029/98, and are intermateable with those of SAE-AS39029/97.

iTeh STANDARD PREVIEW (standards.iteh.ai)

SIST EN 3155-064:2009

<https://standards.iteh.ai/catalog/standards/sist/e8b99454-3129-4e46-a017-1340711d0c4f/sist-en-3155-064-2009>

1 Scope

This standard specifies the required characteristics, tests and tooling applicable to female electrical coaxial contacts, size 1, type D, class R, used in elements of connection according to EN 3155-002.

It is intended to be used together with EN 3155-001.

The associated male contacts are defined in EN 3155-063.

2 Normative references

The following referenced documents are indispensable for the application of this document. For dated references, only the edition cited applies. For undated references, the latest edition of the referenced document (including any amendments) applies.

EN 2591-100*, *Aerospace series — Elements of electrical and optical connection — Test methods — Part 100: General*

EN 3155-001:2008, *Aerospace series — Electrical contacts used in elements of connection — Part 001: Technical specification*¹

EN 3682-001, *Aerospace series — Connectors, plug and receptacle, electrical, rectangular, interchangeable insert type, rack to panel, operating temperature 150 °C continuous — Part 001: Technical specification*

TR 6058, *Aerospace series — Cable code identification list*²

<https://standards.iteh.ai/catalog/standards/sist/e8b99454-3129-4e46-a017-1340711d0c4f/sist-en-3155-064-2009>

3 Terms and definitions

For the purposes of this standard, the terms and definitions given in EN 3155-001:2008 apply.

4 Required characteristics

4.1 Specific characteristics

Type D contacts are for application where contacts with a screening feature are requested and class R corresponds to an operating temperature range from – 65 °C to 150 °C.

4.2 Dimensions and mass

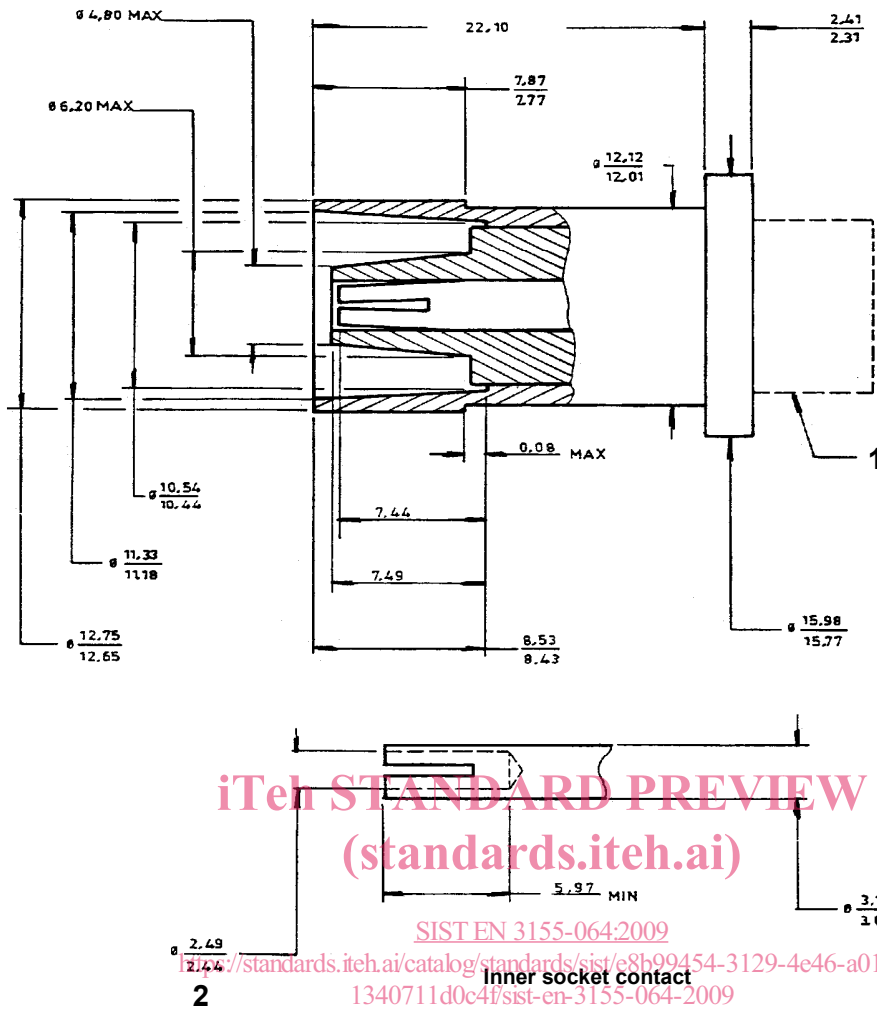
See Figures 1 and 2.

Dimensions and tolerances are given in millimetres and apply after surface treatment.

* All parts quoted in this document.

1 Published as ASD Prestandard at the date of publication of this standard.

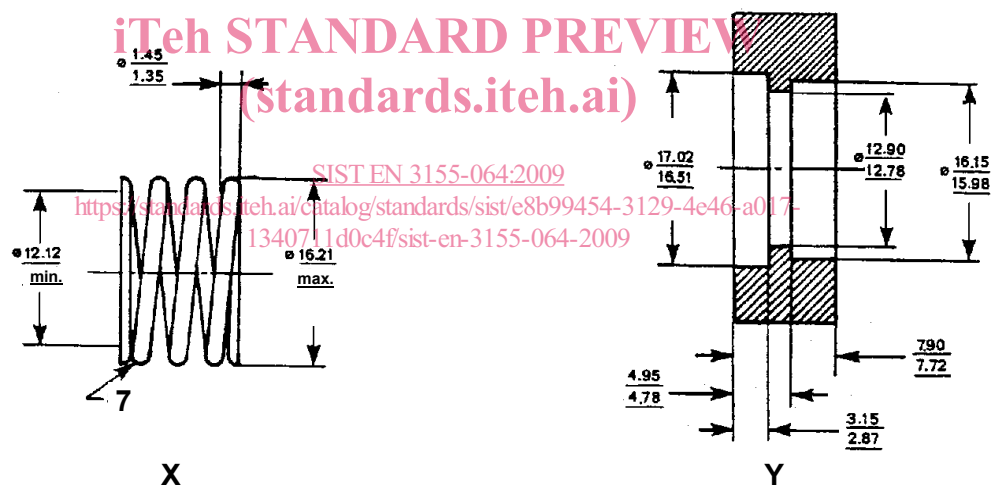
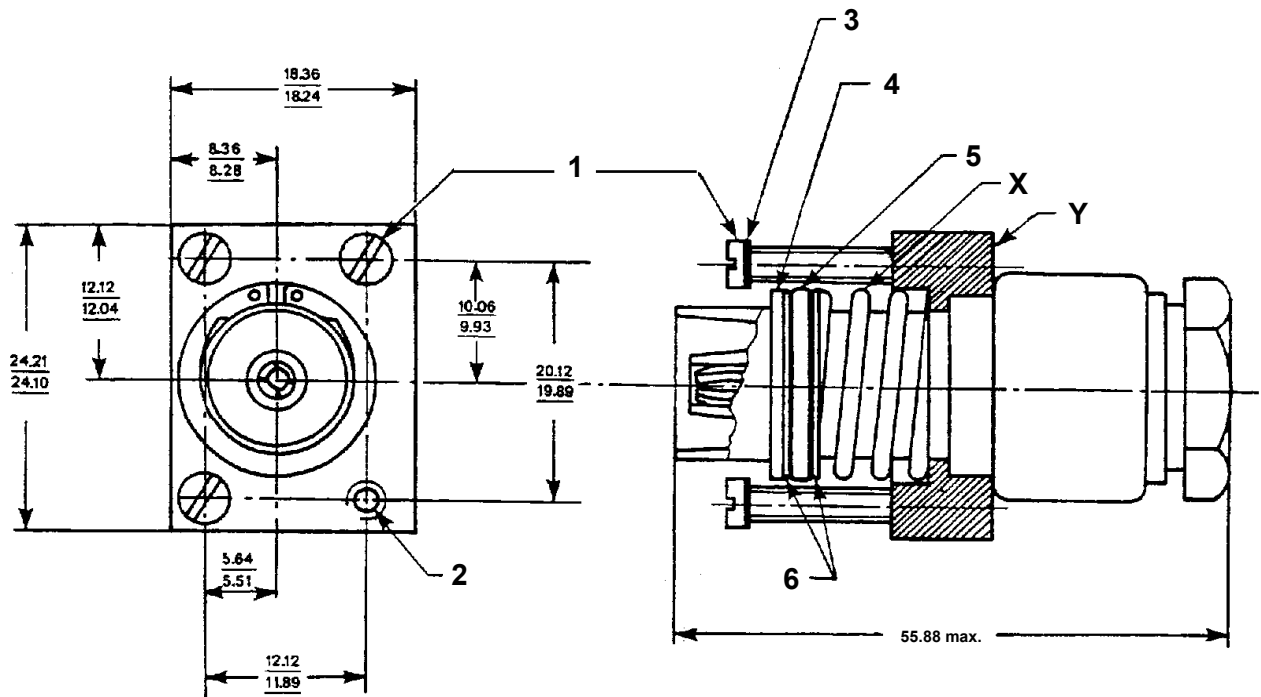
2 Published as ASD Technical Report at the date of publication of this standard.



Key

- 1 Dotted shape optional
- 2 Form tab ends to meet

Figure 1



Key

- 1 Screw size 4-40 UNC $19,05 \pm 0,25$ (.750 \pm .010) length (4 PLS) ANSI B 18-6-3
- 2 4-40 UNC-2B thread (4 PLS)
- 3 Seal (optional)
- 4 C-clip MS 16 626-1050
- 5 O-ring MS 28 775-111
- 6 Washer
- 7 13,26 free length spring constant, 4,75 Nm

Figure 2

Mass: 46 g.