



**SLOVENSKI STANDARD**  
**SIST EN 14491:2006/AC:2009**  
**01-marec-2009**

---

NUý ]fb]g]ghYa ]nUfUnVfYa Yb]hYj `hU\_UY\_gd`cn]Y`dfU i

Dust explosion venting protective systems

Schutzsysteme zur Druckentlastung von Staubexplosionen

Systèmes de protection par évènement contre les explosions de poussières

**Ta slovenski standard je istoveten z: EN 14491:2006/AC:2008**

[SIST EN 14491:2006/AC:2009](https://standards.iteh.ai/catalog/standards/sist/9c825a39-6689-4bc0-878b-7cd9c0e4e978/sist-en-14491-2006-ac-2009)

<https://standards.iteh.ai/catalog/standards/sist/9c825a39-6689-4bc0-878b-7cd9c0e4e978/sist-en-14491-2006-ac-2009>

**ICS:**

13.230      Varstvo pred eksplozijo      Explosion protection

**SIST EN 14491:2006/AC:2009**      en,fr,de

**iTeh STANDARD PREVIEW**  
**(standards.iteh.ai)**

SIST EN 14491:2006/AC:2009

<https://standards.iteh.ai/catalog/standards/sist/9c825a39-6689-4bc0-878b-7cd9c0e4e978/sist-en-14491-2006-ac-2009>

EUROPEAN STANDARD

**EN 14491:2006/AC**

NORME EUROPÉENNE

November 2008

EUROPÄISCHE NORM

Novembre 2008

November 2008

ICS 13.230

English version  
Version Française  
Deutsche Fassung

## Dust explosion venting protective systems

Systèmes de protection par évent contre  
les explosions de poussièresSchutzsysteme zur Druckentlastung von  
Staubexplosionen

This corrigendum becomes effective on 19 November 2008 for incorporation in the three official language versions of the EN.

Ce corrigendum prendra effet le 19 novembre 2008 pour incorporation dans les trois versions linguistiques officielles de la EN.

Die Berichtigung tritt am 19. November 2008 zur Einarbeitung in die drei offiziellen Sprachfassungen der EN in Kraft.

**iTeh STANDARD PREVIEW**  
**(standards.iteh.ai)**

[SIST EN 14491:2006/AC:2009](https://standards.iteh.ai/catalog/standards/sist/9c825a39-6689-4bc0-878b-7cd9c0e4e978/sist-en-14491-2006-ac-2009)

<https://standards.iteh.ai/catalog/standards/sist/9c825a39-6689-4bc0-878b-7cd9c0e4e978/sist-en-14491-2006-ac-2009>

EUROPEAN COMMITTEE FOR STANDARDIZATION  
COMITÉ EUROPÉEN DE NORMALISATION  
EUROPÄISCHES KOMITEE FÜR NORMUNG**Management Centre: rue de Stassart, 36 B-1050 Brussels**

© 2008 CEN All rights of exploitation in any form and by any means reserved worldwide for CEN national Members.  
Tous droits d'exploitation sous quelque forme et de quelque manière que ce soit réservés dans le monde entier aux membres nationaux du CEN.  
Alle Rechte der Verwertung, gleich in welcher Form und in welchem Verfahren, sind weltweit den nationalen Mitgliedern von CEN vorbehalten.

Ref. No.: EN 14491:2006/AC:2008 D/E/F

**EN 14491:2006/AC:2008 (E)****1 Modification to 5.4, Protection of pipelines and interconnected enclosures**

Replace Equation (6) with:

"

$$L = D \times \left( 88,57 - 81,99 \times e^{-0,1640 \times PL} \right), \text{ applicable to } (L/D \text{ ratios}) \text{ no greater than } 50; \quad (6)$$

".

**2 Modification to 5.6, Influences of vent ducts**

In the paragraph after Equation (11), replace "Vent duct/ratios..." with "Vent duct ratios...".

Replace the text:

"Vent duct with gradual bend.  
(radius of curvature/duct diameter) > 2"

in Figure 1 with the following:

"Vent duct with gradual bend.  
(radius of curvature/duct diameter) > 2"

Replace the text "90° end" in Figure 2 with "90° bend".

**3 Modification to 7.2.3, Pressure effects**

<https://standards.iteh.ai/catalog/standards/sist/9c825a39-6689-4bc0-878b-14491-2006/AC-2009>

In the sentence above Equation (17), replace: " $P_R$ " with " $p_R$ ".

**4 Modification to 7.2.4, Deflectors**

Replace the 4<sup>th</sup> paragraph:

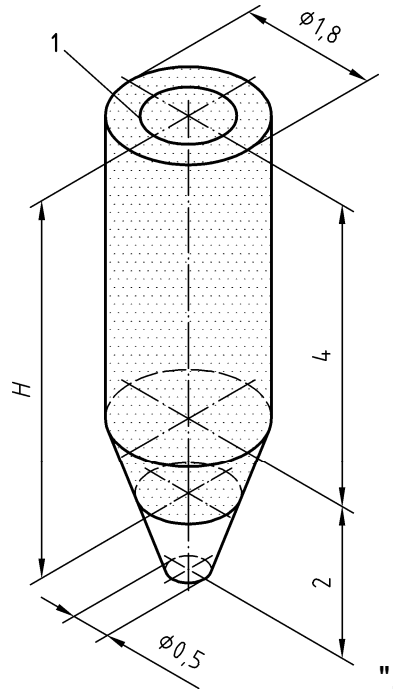
"Deflectors shall not normally be installed when the enclosure volume is greater than 20 m<sup>3</sup>."

with the following paragraph:

"The presented design criteria shall only be used for enclosure volumes up to 20 m<sup>3</sup>."

**5 Modification to Annex A, Estimating the L/D ratio when calculating vent areas for elongated enclosures**

Replace Figure A.3 with the following figure: "

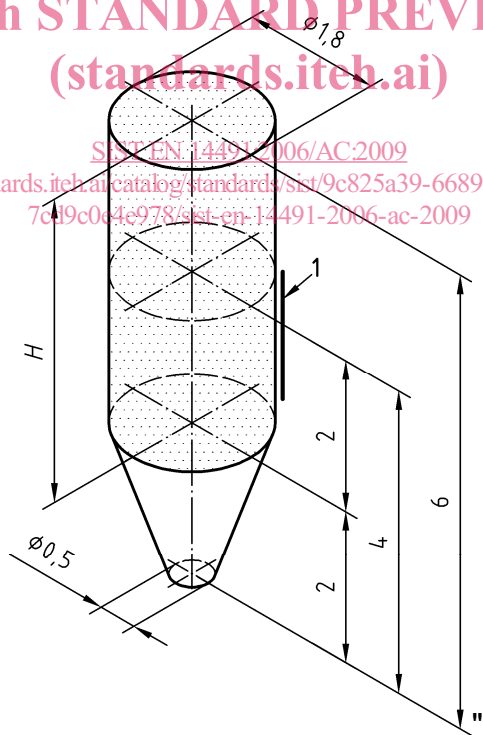


Replace Figure A.4 with the following figure:

**iTeh STANDARD PREVIEW**  
 (standards.iteh.ai)

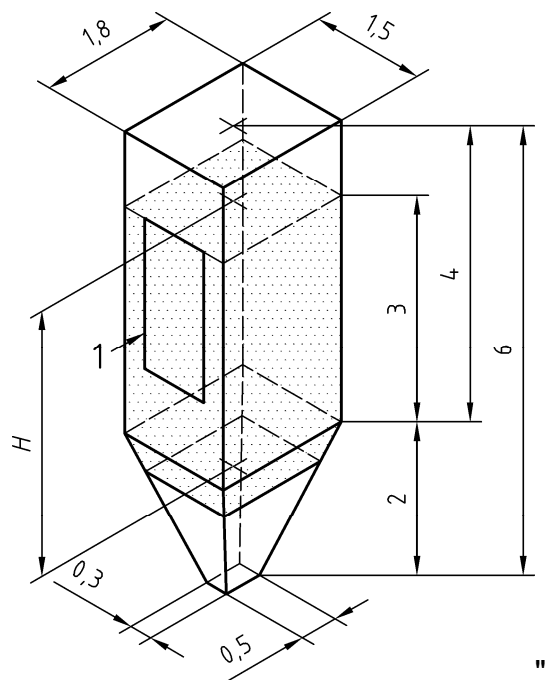
SIST EN 14491:2006/AC:2009

<https://standards.iteh.ai/catalog/standards/sist/9c825a39-6689-4bc0-878b-7c19c064e978/sist-en-14491-2006-ac-2009>



## EN 14491:2006/AC:2008 (E)

Replace Figure A.5 with the following figure: "



## 6 Modification to the Bibliography

Replace in [7] "...Sutter, G.,..." with "...Suter, G.,..."

SIST EN 14491:2006/AC:2009  
<https://standards.iteh.ai/catalog/standards/sist/9c825a39-6689-4bc0-878b-7cd9c0e4e978/sist-en-14491-2006-ac-2009>