
**Closed end blind rivets with pull mandrel
and protruding head — A2/SSt**

Rivets aveugles à rupture de tige à corps fermé, à tête bombée — A2/SSt

iTeh STANDARD PREVIEW
(standards.iteh.ai)

[ISO 16585:2002](https://standards.iteh.ai/catalog/standards/sist/84271889-7ef5-41af-ac4f-ebb6f4b89c9d/iso-16585-2002)

<https://standards.iteh.ai/catalog/standards/sist/84271889-7ef5-41af-ac4f-ebb6f4b89c9d/iso-16585-2002>



PDF disclaimer

This PDF file may contain embedded typefaces. In accordance with Adobe's licensing policy, this file may be printed or viewed but shall not be edited unless the typefaces which are embedded are licensed to and installed on the computer performing the editing. In downloading this file, parties accept therein the responsibility of not infringing Adobe's licensing policy. The ISO Central Secretariat accepts no liability in this area.

Adobe is a trademark of Adobe Systems Incorporated.

Details of the software products used to create this PDF file can be found in the General Info relative to the file; the PDF-creation parameters were optimized for printing. Every care has been taken to ensure that the file is suitable for use by ISO member bodies. In the unlikely event that a problem relating to it is found, please inform the Central Secretariat at the address given below.

iTeh STANDARD PREVIEW
(standards.iteh.ai)

ISO 16585:2002

<https://standards.iteh.ai/catalog/standards/sist/84271889-7ef5-41af-ac4f-eeb6f4b89c9d/iso-16585-2002>

© ISO 2002

All rights reserved. Unless otherwise specified, no part of this publication may be reproduced or utilized in any form or by any means, electronic or mechanical, including photocopying and microfilm, without permission in writing from either ISO at the address below or ISO's member body in the country of the requester.

ISO copyright office
Case postale 56 • CH-1211 Geneva 20
Tel. + 41 22 749 01 11
Fax + 41 22 749 09 47
E-mail copyright@iso.ch
Web www.iso.ch

Printed in Switzerland

Foreword

ISO (the International Organization for Standardization) is a worldwide federation of national standards bodies (ISO member bodies). The work of preparing International Standards is normally carried out through ISO technical committees. Each member body interested in a subject for which a technical committee has been established has the right to be represented on that committee. International organizations, governmental and non-governmental, in liaison with ISO, also take part in the work. ISO collaborates closely with the International Electrotechnical Commission (IEC) on all matters of electrotechnical standardization.

International Standards are drafted in accordance with the rules given in the ISO/IEC Directives, Part 3.

The main task of technical committees is to prepare International Standards. Draft International Standards adopted by the technical committees are circulated to the member bodies for voting. Publication as an International Standard requires approval by at least 75 % of the member bodies casting a vote.

Attention is drawn to the possibility that some of the elements of this International Standard may be the subject of patent rights. ISO shall not be held responsible for identifying any or all such patent rights.

ISO 16585 was prepared by Technical Committee ISO/TC 2, *Fasteners*.

Annex A of this International Standard is for information only.

THIS STANDARD PREVIEW
(standards.iteh.ai)

ISO 16585:2002

<https://standards.iteh.ai/catalog/standards/sist/84271889-7ef5-41af-ac4f-eeb6f4b89c9d/iso-16585-2002>

iTeh STANDARD PREVIEW
(standards.iteh.ai)

ISO 16585:2002

<https://standards.iteh.ai/catalog/standards/sist/84271889-7ef5-41af-ac4f-ebb6f4b89c9d/iso-16585-2002>

Closed end blind rivets with pull mandrel and protruding head — A2/SSt

1 Scope

This International Standard specifies dimensional and mechanical characteristics and application data for closed end blind rivets with break pull mandrel and protruding head, with an austenitic stainless-steel body (A2) and a stainless-steel mandrel (SSt) and with nominal diameters, d , from 3,2 mm up to and including 6,4 mm.

2 Normative references

The following normative documents contain provisions which, through reference in this text, constitute provisions of this International Standard. For dated references, subsequent amendments to, or revisions of, any of these publications do not apply. However, parties to agreements based on this International Standard are encouraged to investigate the possibility of applying the most recent editions of the normative documents indicated below. For undated references, the latest edition of the normative document referred to applies. Members of ISO and IEC maintain registers of currently valid International Standards.

<https://standards.iteh.ai/catalog/standards/sist/84271889-7ef5-41af-ac4f-9d/iso-16585-2002>

ISO 3269:2000, *Fasteners — Acceptance inspection*

ISO 3506-1:1997, *Mechanical properties of corrosion-resistant stainless-steel fasteners — Part 1: Bolts, screws and studs*

ISO 14588:2000, *Blind rivets — Terminology and definitions*

ISO 14589:2000, *Blind rivets — Mechanical testing*

3 Dimensions

3.1 General

Symbols and designations of dimensions are specified in ISO 14588.

3.2 Rivets dimensions

See Figure 1 and Table 1.

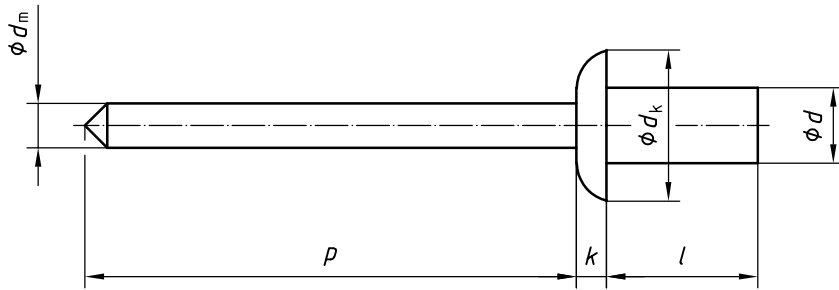


Figure 1 — Rivet dimensions

Table 1 — Rivet dimensions

Dimensions in millimetres

Rivet body	nom.	3,2	4	4,8	6,4		
		d	max.	3,28	4,08	4,88	6,48
	min.	3,05	3,85	4,65	6,25		
d_k	max.	6,7	8,4	10,1	13,4		
	min.	5,8	6,9	8,3	11,6		
k	max.	1,3	1,7	2	2,7		
Mandrel	d_m	max.	2,15	2,75	3,2	3,9	
	p	min.	25	25	27	27	
Rivet length		ISO 16585:2002 https://standards.iteh.ai/catalog/standards/sist/84271889-7ef5-41af-ac4f-eeb6f4b89c9d/iso-16585-2002 Recommended grip ranges ^a					
	l	nom. = min.	max.				
		6	7	0,5 to 1,5	0,5 to 1,5	—	—
		8	9	1,5 to 3,0	1,5 to 3,0	0,5 to 3,0	—
		10	11	3 to 5	3 to 5	3 to 5	—
		12	13	5,0 to 6,5	5,0 to 6,5	5,0 to 6,5	1,5 to 6,5
		14	15	6,5 to 8,0	6,5 to 8,0	—	—
		16	17	—	8 to 11	6,5 to 9,0	6,5 to 8,0
		20	21	—	—	9 to 12	8 to 12
NOTE The rivet body dimensions are generated from the design formulae specified in annex A.							
^a The grip ranges of rivets with dimensions as given in Table 1, with the material combination as given in clause 4, are specified by the minimum and maximum grip lengths. The minimum grip lengths are recommendations only. It may be possible to go into individual cases below the minimum values.							

3.3 Clearance hole diameters

The diameters of the clearance holes, d_{h1} , to accommodate the rivet in the components to be fastened are given in Table 2.

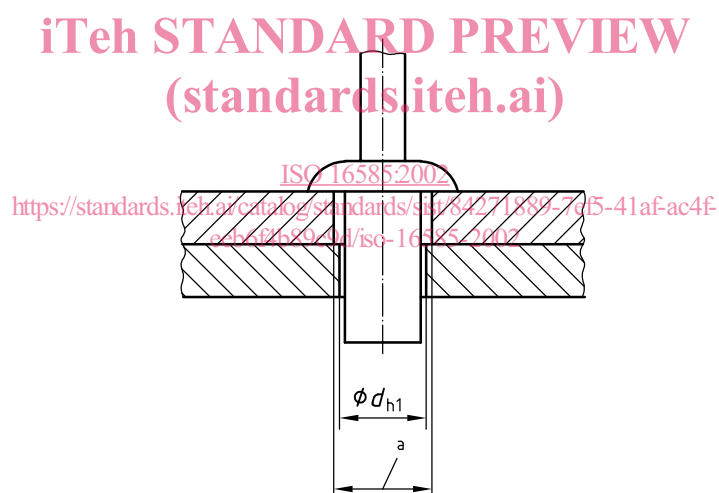
Table 2 — Clearance hole diameters

Dimensions in millimetres

d nom.	d_{h1}	
	min.	max.
3,2	3,3	3,4
4	4,1	4,2
4,8	4,9	5,0
6,4	6,5	6,6

Non conformance to the values listed in Table 2 may result in assembly difficulties and/or reduction in the shear and tensile loads specified in Table 3.

When necessary, to facilitate alignment, only the component on the access side may have a clearance hole larger than specified in Table 2 (see Figure 2). This may also result in a reduction of the shear and tensile loads specified in Table 3.



^a Enlarged clearance hole

Figure 2 — Enlarged clearance hole to facilitate alignment

4 Material and finish

Blind rivets in accordance with this International Standard shall have a rivet body made of austenitic stainless-steel grade A2 in accordance with ISO 3506-1 and a stainless-steel mandrel (SSt) and shall also have mechanical properties as specified in clause 5.

Material specification is at the discretion of the manufacturer.

The surface of rivet body and mandrel shall be plain, i.e. in natural finish.

5 Mechanical properties

The minimum shear load, minimum tensile load and maximum mandrel break load shall be as specified in Table 3 when tested in accordance with ISO 14589.

Table 3 — Mechanical properties

<i>d</i> nom. mm	Shear load min. N	Tensile load min. N	Mandrel break load max. N
3,2	2 000	2 200	4 500
4	3 000	3 500	6 500
4,8	4 000	4 400	8 500
6,4	6 000	8 000	16 000

6 Workmanship

Rivets shall be free from burrs and harmful defects and shall have well-formed heads and shanks.

After setting, rivets shall not show evidence of cracking when viewed at 5 × magnification.

ITeC STANDARD PREVIEW
(standards.iteh.ai)

7 Acceptance testing

If there is no other agreement, acceptance inspection in accordance with ISO 3269 applies.

ISO 16585:2002

<https://standards.iteh.ai/en/standards/ISO-16585-2002/eb6f4b89c9d/iso-16585-2002>

8 Designation

EXAMPLE A closed end blind rivet, with break pull mandrel and protruding head, with nominal diameter $d = 4$ mm and nominal length $l = 12$ mm with an austenitic stainless-steel body (A2) and a stainless-steel mandrel (SSt) is designated as follows:

Blind rivet ISO 16585 - 4 × 12 - A2/SSt

Annex A (informative)

Design formulae

A.1 General

Blind rivets in accordance with this International Standard comply with the following design formulae and tolerances.

A.2 Shank diameter

The maximum shank diameter complies with the formula:

$$d_{\max} = d_{\text{nom}} + 0,08 \text{ mm}$$

The minimum shank diameter complies with the formula:

$$d_{\min} = d_{\text{nom}} - 0,15 \text{ mm}$$

A.3 Head diameter

iTeh STANDARD PREVIEW
(standards.iteh.ai)

The maximum head diameter complies with the formula:

$$d_{k \max} = 2,1 d_{\text{nom}}$$

ISO 16585:2002
<https://standards.iteh.ai/catalog/standards/sist/84271889-7ef5-41af-ac4f-eeb6f4b89c9d/iso-16585-2002>

rounded to one decimal place.

A.4 Head diameter tolerance

The head diameter tolerance is h16 for $d_{\text{nom}} \leq 3,2 \text{ mm}$ and h17 for $d_{\text{nom}} > 3,2 \text{ mm}$.

A.5 Head height

The maximum head height complies with the formula:

$$k_{\max} = 0,415 d_{\text{nom}}$$

rounded to one decimal place.

A.6 Clearance hole diameter

The clearance hole diameter for blind rivet application complies with the formulae:

$$d_{h1 \max} = d_{\text{nom}} + 0,2 \text{ mm}$$

$$d_{h1 \min} = d_{\text{nom}} + 0,1 \text{ mm}$$