
**Protective clothing for automobile racing
drivers — Protection against heat and
flame — Performance requirements and
test methods**

AMENDMENT 1: Modified flexion test

iTeh **STANDARD PREVIEW**

*Vêtements de protection pour pilotes automobiles — Protection contre la
chaleur et le feu — Exigences de performance et méthodes d'essai*

AMENDEMENT 1: Essai de flexion modifié

[https://standards.iteh.ai/catalog/standards/sist/fd190677-41b7-4803-8ce2-
bed6a2c79e9b/iso-14460-1999-amd-1-2002](https://standards.iteh.ai/catalog/standards/sist/fd190677-41b7-4803-8ce2-bed6a2c79e9b/iso-14460-1999-amd-1-2002)



PDF disclaimer

This PDF file may contain embedded typefaces. In accordance with Adobe's licensing policy, this file may be printed or viewed but shall not be edited unless the typefaces which are embedded are licensed to and installed on the computer performing the editing. In downloading this file, parties accept therein the responsibility of not infringing Adobe's licensing policy. The ISO Central Secretariat accepts no liability in this area.

Adobe is a trademark of Adobe Systems Incorporated.

Details of the software products used to create this PDF file can be found in the General Info relative to the file; the PDF-creation parameters were optimized for printing. Every care has been taken to ensure that the file is suitable for use by ISO member bodies. In the unlikely event that a problem relating to it is found, please inform the Central Secretariat at the address given below.

iTeh STANDARD PREVIEW
(standards.iteh.ai)

ISO 14460:1999/Amd 1:2002
<https://standards.iteh.ai/catalog/standards/sist/fd190677-41b7-4803-8ce2-bed6a2c79e9b/iso-14460-1999-amd-1-2002>

© ISO 2002

All rights reserved. Unless otherwise specified, no part of this publication may be reproduced or utilized in any form or by any means, electronic or mechanical, including photocopying and microfilm, without permission in writing from either ISO at the address below or ISO's member body in the country of the requester.

ISO copyright office
Case postale 56 • CH-1211 Geneva 20
Tel. + 41 22 749 01 11
Fax + 41 22 749 09 47
E-mail copyright@iso.ch
Web www.iso.ch

Printed in Switzerland

Foreword

ISO (the International Organization for Standardization) is a worldwide federation of national standards bodies (ISO member bodies). The work of preparing International Standards is normally carried out through ISO technical committees. Each member body interested in a subject for which a technical committee has been established has the right to be represented on that committee. International organizations, governmental and non-governmental, in liaison with ISO, also take part in the work. ISO collaborates closely with the International Electrotechnical Commission (IEC) on all matters of electrotechnical standardization.

International Standards are drafted in accordance with the rules given in the ISO/IEC Directives, Part 3.

The main task of technical committees is to prepare International Standards. Draft International Standards adopted by the technical committees are circulated to the member bodies for voting. Publication as an International Standard requires approval by at least 75 % of the member bodies casting a vote.

Attention is drawn to the possibility that some of the elements of this Amendment may be the subject of patent rights. ISO shall not be held responsible for identifying any or all such patent rights.

Amendment 1 to International Standard ISO 14460:1999 was prepared by Technical Committee ISO/TC 94, *Personal safety — Protective clothing and equipment*, Subcommittee SC 13, *Protective clothing*.

iTeh STANDARD PREVIEW
(standards.iteh.ai)

<https://standards.iteh.ai/catalog/standards/sist/fd190677-41b7-4803-8ce2-bed6a2c79e9b/iso-14460-1999-amd-1-2002>

iTeh STANDARD PREVIEW
(standards.iteh.ai)

[ISO 14460:1999/Amd 1:2002](https://standards.iteh.ai/catalog/standards/sist/fd190677-41b7-4803-8ce2-bed6a2c79e9b/iso-14460-1999-amd-1-2002)

<https://standards.iteh.ai/catalog/standards/sist/fd190677-41b7-4803-8ce2-bed6a2c79e9b/iso-14460-1999-amd-1-2002>

Protective clothing for automobile racing drivers — Protection against heat and flame — Performance requirements and test methods

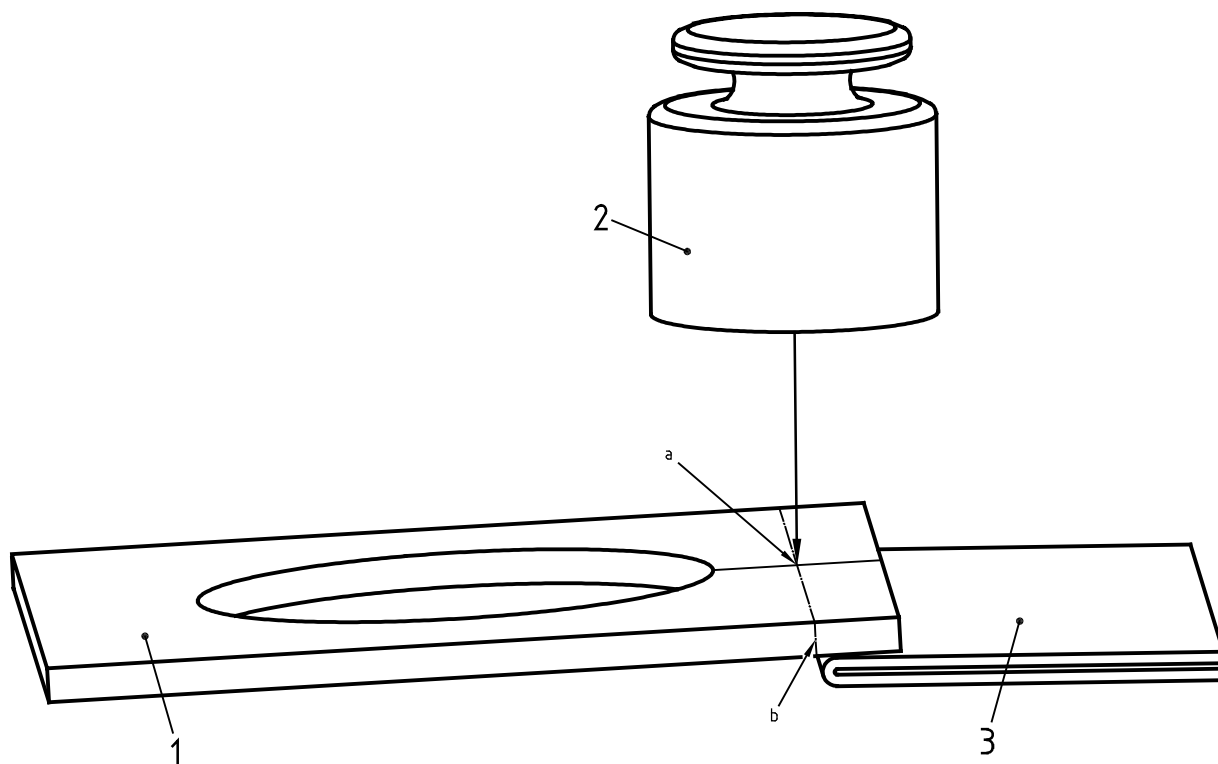
AMENDMENT 1: Modified flexion test

Page 3, subclause 6.3

Delete the entire subclause 6.3 and replace it with the following text and Figure 1:

6.3 The mechanical resistance of component assemblies after exposure to flame shall be tested in accordance with the following test.

Mount a component assembly specimen, 140 mm by 140 mm centrally face downwards on the ISO 9151 test apparatus. Apply the flame for $(11,0 \pm 0,2)$ s. Within 1 min following the removal of the flame, place the specimen on a horizontal plane. Manually fold the specimen 180° , along the middle of the burn. The calorimeter location plate of ISO 9151 apparatus is then placed on the specimen as shown in Figure 1. Place a 2-kg weight piece on the calorimeter location plate, centring the weight piece over the middle of the folded edge of the specimen (point A in Figure 1). Leave the weight piece in this position for 3 s, then remove both the weight piece and the calorimeter location plate. Fold the specimen in the opposite direction along the same edge. Again place the calorimeter location plate on the specimen followed by the weight piece, centring it on the middle of the folded edge of the specimen. Leave the weight piece again for 3 s. Repeat this folding procedure four times to reach a total of five times.



Key

- 1 Calorimeter location plate
- 2 2-kg weight piece
- 3 Folded specimen

iTeh STANDARD PREVIEW
(standards.iteh.ai)

[ISO 14460:1999/Amd 1:2002](https://standards.iteh.ai/catalog/standards/sist/fd190677-41b7-4803-8ce2-)

<https://standards.iteh.ai/catalog/standards/sist/fd190677-41b7-4803-8ce2->

- a Point A, centre of the weight piece aligned with the middle of the folded edge of the specimen
- b Line of folded edge of the specimen

Figure 1 — Arrangement of the calorimeter location plate used to restrain the specimen

iTeh STANDARD PREVIEW
(standards.iteh.ai)

[ISO 14460:1999/Amd 1:2002](https://standards.iteh.ai/catalog/standards/sist/fd190677-41b7-4803-8ce2-bed6a2c79e9b/iso-14460-1999-amd-1-2002)

<https://standards.iteh.ai/catalog/standards/sist/fd190677-41b7-4803-8ce2-bed6a2c79e9b/iso-14460-1999-amd-1-2002>

iTeh STANDARD PREVIEW
(standards.iteh.ai)

ISO 14460:1999/Amd 1:2002
<https://standards.iteh.ai/catalog/standards/sist/fd190677-41b7-4803-8ce2-bed6a2c79e9b/iso-14460-1999-amd-1-2002>

ICS 97.220.40

Price based on 2 pages