
**Personal protective equipment — Safety
footwear**

Équipement de protection individuelle — Chaussures de sécurité

iTeh STANDARD PREVIEW
(standards.iteh.ai)

[ISO 20345:2004](https://standards.iteh.ai/catalog/standards/sist/dadfbad1-3765-40ef-a367-47cc6adeacc0/iso-20345-2004)

<https://standards.iteh.ai/catalog/standards/sist/dadfbad1-3765-40ef-a367-47cc6adeacc0/iso-20345-2004>



Reference number
ISO 20345:2004(E)

PDF disclaimer

This PDF file may contain embedded typefaces. In accordance with Adobe's licensing policy, this file may be printed or viewed but shall not be edited unless the typefaces which are embedded are licensed to and installed on the computer performing the editing. In downloading this file, parties accept therein the responsibility of not infringing Adobe's licensing policy. The ISO Central Secretariat accepts no liability in this area.

Adobe is a trademark of Adobe Systems Incorporated.

Details of the software products used to create this PDF file can be found in the General Info relative to the file; the PDF-creation parameters were optimized for printing. Every care has been taken to ensure that the file is suitable for use by ISO member bodies. In the unlikely event that a problem relating to it is found, please inform the Central Secretariat at the address given below.

iTeh STANDARD PREVIEW
(standards.iteh.ai)

[ISO 20345:2004](#)

<https://standards.iteh.ai/catalog/standards/sist/dadfbad1-3765-40ef-a367-47cc6adeacc0/iso-20345-2004>

© ISO 2004

All rights reserved. Unless otherwise specified, no part of this publication may be reproduced or utilized in any form or by any means, electronic or mechanical, including photocopying and microfilm, without permission in writing from either ISO at the address below or ISO's member body in the country of the requester.

ISO copyright office
Case postale 56 • CH-1211 Geneva 20
Tel. + 41 22 749 01 11
Fax + 41 22 749 09 47
E-mail copyright@iso.org
Web www.iso.org

Published in Switzerland

Foreword

ISO (the International Organization for Standardization) is a worldwide federation of national standards bodies (ISO member bodies). The work of preparing International Standards is normally carried out through ISO technical committees. Each member body interested in a subject for which a technical committee has been established has the right to be represented on that committee. International organizations, governmental and non-governmental, in liaison with ISO, also take part in the work. ISO collaborates closely with the International Electrotechnical Commission (IEC) on all matters of electrotechnical standardization.

International Standards are drafted in accordance with the rules given in the ISO/IEC Directives, Part 2.

The main task of technical committees is to prepare International Standards. Draft International Standards adopted by the technical committees are circulated to the member bodies for voting. Publication as an International Standard requires approval by at least 75 % of the member bodies casting a vote.

Attention is drawn to the possibility that some of the elements of this document may be the subject of patent rights. ISO shall not be held responsible for identifying any or all such patent rights.

ISO 20345 was prepared by the European Committee for Standardization (CEN) in collaboration with Technical Committee ISO/TC 94, *Personal safety — Protective clothing and equipment*, Subcommittee SC 3, *Foot protection*, in accordance with the Agreement on technical cooperation between ISO and CEN (Vienna Agreement).

Throughout the text of this document, read “...this European Standard...” to mean “...this International Standard...”.

standards.iteh.ai
ISO 20345:2004

This first edition of ISO 20345 cancels and replaces ISO 8782-2:1998, which has been technically revised.

standards.iteh.ai
47cc6adeacc0/iso-20345-2004

For the purposes of this International Standard the CEN annex regarding fulfilment of European Council Directives has been removed.

Contents

page

Foreword.....	v
1 Scope	1
2 Normative references	1
3 Terms and definitions	1
4 Classification.....	6
5 Basic requirements for safety footwear	7
5.1 General.....	7
5.2 Design	9
5.3 Whole footwear	10
5.4 Upper.....	12
5.5 Lining	14
5.6 Tongue	14
5.7 Insole and insock.....	15
5.8 Outsole.....	16
6 Additional requirements for safety footwear.....	17
6.1 General	17
6.2 Whole footwear.....	17
6.3 Upper	21
6.4 Outsole	22
7 Marking	23
8 Information to be supplied	24
8.1 General	24
8.2 Electrical properties	25
8.3 Insocks	27
Bibliography.....	28

ITeH STANDARD PREVIEW
(standards.iteh.ai)

ISO 20345:2004
<https://standards.iteh.ai/catalog/standards/sist/dadfbad1-3765-40ef-a367-47cc6adeccc0/iso-20345-2004>

Foreword

This document (EN ISO 20345:2004) has been prepared by Technical Committee CEN/TC 161 “Foot and leg protectors”, the secretariat of which is held by BSI, in collaboration with Technical Committee ISO/TC 94 “Personal safety - Protective clothing and equipment”.

This European Standard shall be given the status of a national standard, either by publication of an identical text or by endorsement, at the latest by February 2005, and conflicting national standards shall be withdrawn at the latest by August 2005.

This document has been prepared under a mandate given to CEN by the European Commission and the European Free Trade Association, and supports essential requirements of EU Directive(s).

In conjunction with EN ISO 20344: 2004, this standard supersedes EN 345:1992 and EN 345-2:1996.

According to the CEN/CENELEC Internal Regulations, the national standards organizations of the following countries are bound to implement this European Standard: Austria, Belgium, Cyprus, Czech Republic, Denmark, Estonia, Finland, France, Germany, Greece, Hungary, Iceland, Ireland, Italy, Latvia, Lithuania, Luxembourg, Malta, Netherlands, Norway, Poland, Portugal, Slovakia, Slovenia, Spain, Sweden, Switzerland and United Kingdom.

iTeh STANDARD PREVIEW (standards.iteh.ai)

[ISO 20345:2004](https://standards.iteh.ai/catalog/standards/sist/dadfbad1-3765-40ef-a367-47cc6adeacc0/iso-20345-2004)

<https://standards.iteh.ai/catalog/standards/sist/dadfbad1-3765-40ef-a367-47cc6adeacc0/iso-20345-2004>

iTeh STANDARD PREVIEW
(standards.iteh.ai)

ISO 20345:2004

<https://standards.iteh.ai/catalog/standards/sist/dadfbad1-3765-40ef-a367-47cc6adeacc0/iso-20345-2004>

1 Scope

This European Standard specifies basic and additional (optional) requirements for safety footwear.

2 Normative references

The following referenced documents are indispensable for the application of this document. For dated references, only the edition cited applies. For undated references, the latest edition of the referenced document (including any amendments) applies.

EN 12568:1998, *Foot and leg protectors – Requirements and test methods for toecaps and metal penetration resistant inserts*

EN ISO 20344:2004, *Personal protective equipment - Test methods for footwear (ISO 20344:2004)*

3 Terms and definitions

For the purposes of this European Standard, the following terms and definitions apply.

NOTE The component parts of footwear are illustrated in figures 1 and 2.

3.1 safety footwear

footwear, incorporating protective features to protect the wearer from injuries which could arise through accidents, fitted with toecaps, designed to give protection against impact when tested at an energy level of at least 200 J and against compression when tested at a compression load of at least 15 kN

3.2 leather

3.2.1 full grain leather

hide or skin tanned to be imputrescible having conserved the totality of its grain

3.2.2 corrected grain leather

hide or skin tanned to be imputrescible which has been subjected to mechanical buffing to modify its grain structure

3.2.3 leather split

flesh or middle part of a hide or skin tanned to be imputrescible obtained by splitting a thick leather

3.3 rubber

vulcanized elastomers

3.4 polymeric materials

for example polyurethane or polyvinylchloride

3.5
insole
non-removable component used to form the base of the shoe to which the upper is usually attached during lasting

3.6
insock
removable or permanent footwear component used to cover part or all of the insole

3.7
lining
material covering the inner surface of the upper

NOTE 1 The wearer's foot is in direct contact with the lining.

NOTE 2 Where an upper is split at the forepart to house the toecap, or if an external piece of material is stitched to the upper to form a pocket to house the toecap, the material under the toecap acts as a lining.

3.7.1
vamp lining
material covering the inner surface of the forepart of the upper

3.7.2
quarter lining
material covering the inner surface of the quarters of the upper

3.8
cleat(s)
protruding part(s) of the outer surface of the sole

3.9
rigid outsole
sole which, when the complete footwear is tested in accordance with EN ISO 20344:2004, 8.4.1, can not be bent through an angle of 45° under a load of 30 N

iTeh STANDARD PREVIEW
(standards.iteh.ai)

[ISO 20345:2004](https://standards.iteh.ai/catalog/standards/sist/dadfbad1-3765-40ef-a367-826b1de468e7/iso-20345-2004)

[https://standards.iteh.ai/catalog/standards/sist/dadfbad1-3765-40ef-a367-](https://standards.iteh.ai/catalog/standards/sist/dadfbad1-3765-40ef-a367-826b1de468e7/iso-20345-2004)

[826b1de468e7/iso-20345-2004](https://standards.iteh.ai/catalog/standards/sist/dadfbad1-3765-40ef-a367-826b1de468e7/iso-20345-2004)

3.10
cellular outsole
outsole having a density of 0,9 g/ml or less with a cell structure visible under 10x magnification

3.11
penetration-resistant insert
footwear component placed in the sole complex in order to provide protection against penetration

3.12
safety toecap
footwear component built into the footwear designed to protect the toes of the wearer from impacts up to an energy level of at least 200 J and compression at a load of at least 15 kN

3.13
seat region
back part of the footwear (upper and sole)

3.14
conductive footwear
footwear whose resistance, when measured according to EN ISO 20344:2004, 5.10, lies in the range of 0 to 100 kΩ

3.15

antistatic footwear

footwear whose resistance, when measured according to EN ISO 20344:2004, 5.10, lies above 100 k Ω and is less than or equal to 1 000 M Ω

3.16

electrically insulating footwear

footwear which protects the wearer against electrical shocks by preventing the passage of dangerous current through the body via the feet

3.17

fuel oil

aliphatic hydrocarbon constituent of petroleum

3.18

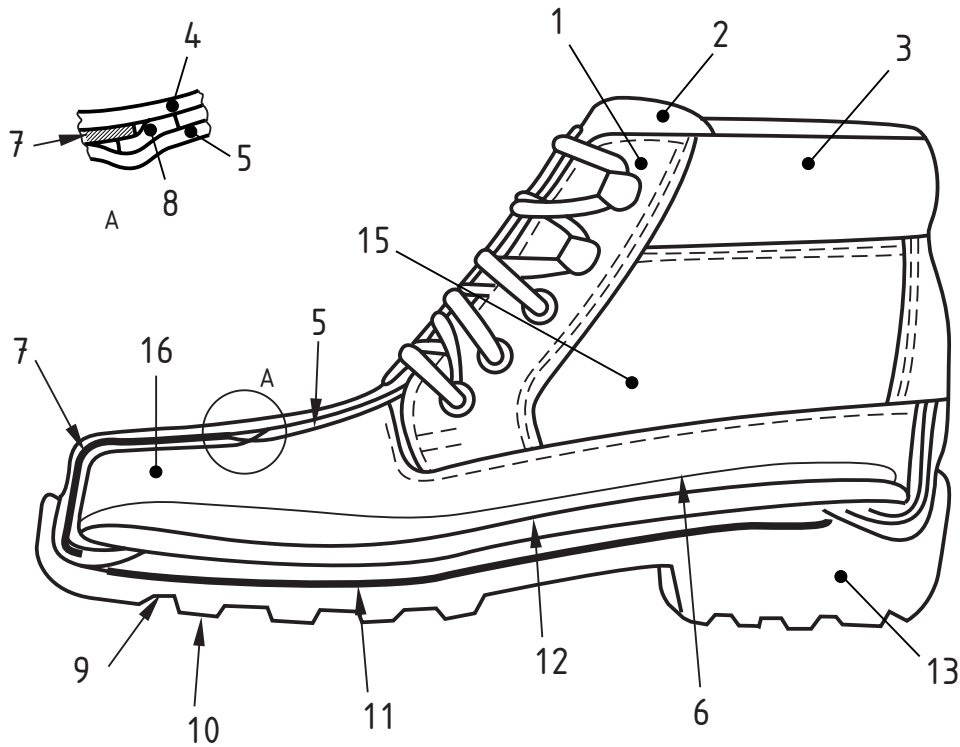
specific job related footwear

safety, protective or occupational footwear relating to a specific profession, e.g. footwear for firefighters, footwear with resistance to chain saw cutting, etc.

iTeh STANDARD PREVIEW
(standards.iteh.ai)

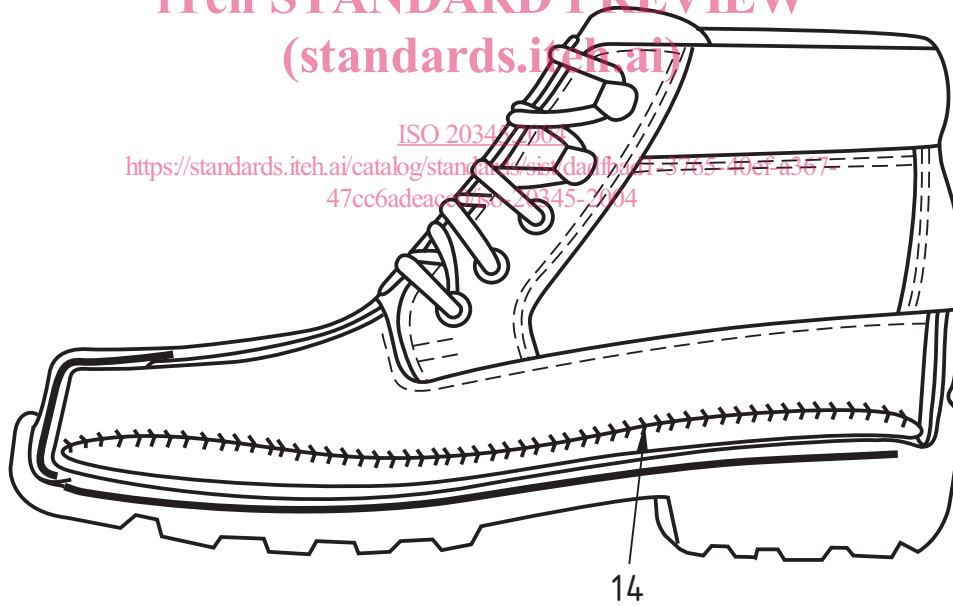
[ISO 20345:2004](https://standards.iteh.ai/catalog/standards/sist/dadfbad1-3765-40ef-a367-47cc6adeacc0/iso-20345-2004)

<https://standards.iteh.ai/catalog/standards/sist/dadfbad1-3765-40ef-a367-47cc6adeacc0/iso-20345-2004>



iTeh STANDARD PREVIEW
(standards.iteh.ai)

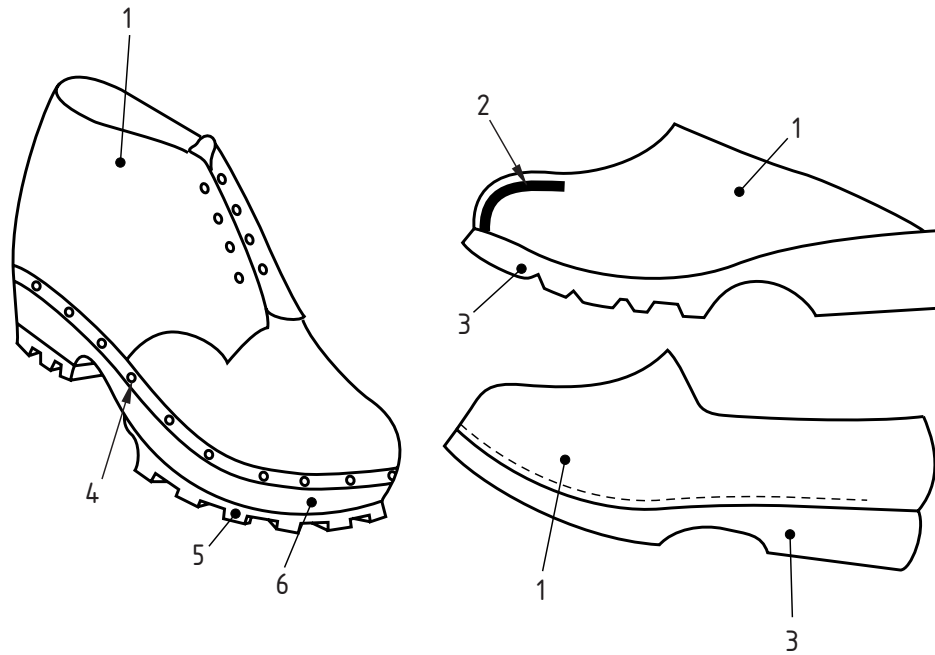
ISO 20345:2004
<https://standards.iteh.ai/catalog/standards/sist/dad1fb/4155540c7a36747cc6adea045c20345-2004>



Key

1	Facing	6	Insock	11	Penetration-resistant insert
2	Tongue	7	Toecap	12	Insole
3	Collar	8	Edge covering, e.g. foam strip	13	Heel
4	Upper	9	Outsole	14	Strobel stitching
5	Vamp lining	10	Cleat	15	Quarter
				16	Vamp

Figure 1a) Parts of footwear of Strobel construction



- | | | | | | |
|---|--------|---|-----------------------------|---|-------------|
| 1 | Upper | 3 | Rigid sole | 5 | Outsole |
| 2 | Toecap | 4 | Reinforcing welt with nails | 6 | Wooden sole |

iTeh STANDARD PREVIEW

Figure 1b) Parts of footwear of conventional construction

(standards.iteh.ai)

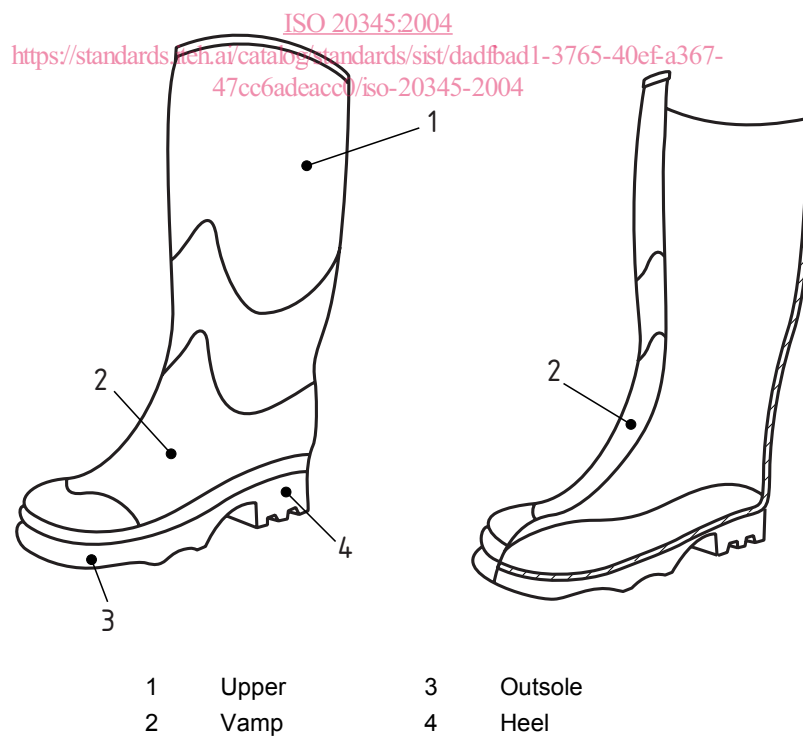


Figure 2 — Parts of all-rubber (i.e. vulcanized) or all polymeric (i.e. entirely moulded) footwear

4 Classification

Footwear shall be classified in accordance with table 1.

Table 1 — Classification of footwear

Code designation	Classification
I	Footwear made from leather and other materials, excluding all-rubber or all-polymeric footwear
II	All-rubber (i.e. entirely vulcanized) or all-polymeric (i.e. entirely moulded) footwear



iTeh STANDARD PREVIEW
(standards.iteh.ai)

ISO 20345:2004
<https://standards.iteh.ai/catalog/standards/sist/dadfbad1-3765-40e1-a367-47cc6adeacc0/iso-20345-2004>

1 Variable extension which can be adapted to the wearer

A Low shoe

B Ankle boot

D Knee-height boot

C Half-knee boot

E Thigh boot

NOTE Design E can be a knee-height boot (design D) equipped with a thin impermeable material which extends the upper and which can be cut to adapt the boot to the wearer

Figure 3 — Designs of footwear