
JUfbcghlfc^yj !'N'j Ufbcghc`dcj YnUb]`XY]`_fa]b\ `g]ghYa cj !`%`XY.`Gd`cýbU
bU YUnUbu ffcj Ub^fIGC`% , (- !%&\$ \$* # cf`%&\$ \$- Ł

Safety of machinery - Safety-related parts of control systems - Part 1: General principles for design (ISO 13849-1:2006/Cor 1:2009)

Sicherheit von Maschinen - Sicherheitsbezogene Teile von Steuerungen - Teil 1: Allgemeine Gestaltungsgrundsätze (ISO 13849-1:2006/Cor 1:2009)

Sécurité des machines - Parties des systèmes de commande relatives à la sécurité - Partie 1: Principes généraux de conception (ISO 13849-1:2006/Cor 1:2009)

[https://standards.iteh.ai/catalog/standards/sist/2a1c2e88-fbf5-4e44-9067-](https://standards.iteh.ai/catalog/standards/sist/2a1c2e88-fbf5-4e44-9067-3a075d66cc7c/sist-en-iso-13849-1-2008-ac-2009)

Ta slovenski standard je istoveten z: EN ISO 13849-1:2008/AC:2009

ICS:

13.110 Varnost strojev Safety of machinery

SIST EN ISO 13849-1:2008/AC:2009 en,fr

iTeh STANDARD PREVIEW
(standards.iteh.ai)

[SIST EN ISO 13849-1:2008/AC:2009](https://standards.iteh.ai/catalog/standards/sist/2a1c2e88-fbf5-4e44-9067-3a075d66cc7c/sist-en-iso-13849-1-2008-ac-2009)

<https://standards.iteh.ai/catalog/standards/sist/2a1c2e88-fbf5-4e44-9067-3a075d66cc7c/sist-en-iso-13849-1-2008-ac-2009>

EUROPEAN STANDARD

EN ISO 13849-1:2008/AC

NORME EUROPÉENNE

March 2009

EUROPÄISCHE NORM

Mars 2009

März 2009

ICS 13.110

English version
Version Française
Deutsche Fassung

Safety of machinery - Safety-related parts of control systems - Part 1:
General principles for design (ISO 13849-1:2006/Cor 1:2009)

Sécurité des machines - Parties des
systèmes de commande relatives à la
sécurité - Partie 1: Principes généraux de
conception (ISO 13849-1:2006/Cor 1:2009)

Sicherheit von Maschinen -
Sicherheitsbezogene Teile von
Steuerungen - Teil 1: Allgemeine
Gestaltungsleitsätze (ISO 13849-
1:2006/Cor 1:2009)

This corrigendum becomes effective on 25 March 2009 for incorporation in the three official language versions of the EN.

Ce corrigendum prendra effet le 25 mars 2009 pour incorporation dans les trois versions linguistiques officielles de la EN.

Die Berichtigung tritt am 25. März 2009 zur Einarbeitung in die drei offiziellen Sprachfassungen der EN in Kraft.



EUROPEAN COMMITTEE FOR STANDARDIZATION
COMITÉ EUROPÉEN DE NORMALISATION
EUROPÄISCHES KOMITEE FÜR NORMUNG

Management Centre: Avenue Marnix 17, B-1000 Brussels

© 2009 CEN All rights of exploitation in any form and by any means reserved worldwide for CEN national Members.
Tous droits d'exploitation sous quelque forme et de quelque manière que ce soit réservés dans le monde entier aux membres nationaux du CEN.
Alle Rechte der Verwertung, gleich in welcher Form und in welchem Verfahren, sind weltweit den nationalen Mitgliedern von CEN vorbehalten.

Ref. No.: EN ISO 13849-1:2008/AC:2009 D/E/F

EN ISO 13849-1:2008/AC:2009 (E)

Endorsement notice

The text of ISO 13849-1:2006/Cor.1:2009 has been approved by CEN as a European Corrigendum without any modification.

iTeh STANDARD PREVIEW
(standards.iteh.ai)

[SIST EN ISO 13849-1:2008/AC:2009](https://standards.iteh.ai/catalog/standards/sist/2a1c2e88-fbf5-4e44-9067-3a075d66cc7c/sist-en-iso-13849-1-2008-ac-2009)

<https://standards.iteh.ai/catalog/standards/sist/2a1c2e88-fbf5-4e44-9067-3a075d66cc7c/sist-en-iso-13849-1-2008-ac-2009>



INTERNATIONAL STANDARD ISO 13849-1:2006
TECHNICAL CORRIGENDUM 1

Published 2009-02-15

INTERNATIONAL ORGANIZATION FOR STANDARDIZATION • МЕЖДУНАРОДНАЯ ОРГАНИЗАЦИЯ ПО СТАНДАРТИЗАЦИИ • ORGANISATION INTERNATIONALE DE NORMALISATION

Safety of machinery — Safety-related parts of control systems —

Part 1: General principles for design

TECHNICAL CORRIGENDUM 1

*Sécurité des machines — Parties des systèmes de commande relatives à la sécurité —
Partie 1: Principes généraux de conception*

RECTIFICATIF TECHNIQUE 1

(standards.iteh.ai)

[SIST EN ISO 13849-1:2008/AC:2009](https://standards.iteh.ai/catalog/standards/sist/2a1c2e88-fbf5-4e44-9067-3a075d66cc7c/sist-en-iso-13849-1-2008-ac-2009)

[https://standards.iteh.ai/catalog/standards/sist/2a1c2e88-fbf5-4e44-9067-](https://standards.iteh.ai/catalog/standards/sist/2a1c2e88-fbf5-4e44-9067-3a075d66cc7c/sist-en-iso-13849-1-2008-ac-2009)

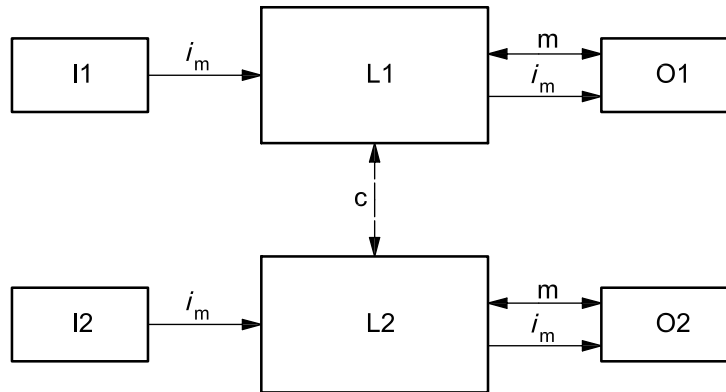
[3a075d66cc7c/sist-en-iso-13849-1-2008-ac-2009](https://standards.iteh.ai/catalog/standards/sist/2a1c2e88-fbf5-4e44-9067-3a075d66cc7c/sist-en-iso-13849-1-2008-ac-2009)

Technical Corrigendum 1 to ISO 13849-1:2006 was prepared by Technical Committee ISO/TC 199, *Safety of machinery*.

ISO 13849-1:2006/Cor.1:2009(E)

Page 37, Figure 12

Replace the drawing showing the designated architecture for category 4 with the following drawing. This corrects the arrowed lines labeled "m" between L1 and O1, and L2 and O2, by changing them from dashed to solid lines, representing higher diagnostic coverage.



Page 44, A.2.2

Correct the heading of this subclause to read "Frequency and/or exposure times to hazard, F1 and F2".

Page 62, F.2

Delete the final paragraph prior to Table F.1. This made reference to a "Table F.2" that was incorporated into Table F.1 and did not appear in the final published version of the standard.

iTeh STANDARD PREVIEW
 (standards.iteh.ai)
 SIST EN ISO 13849-1:2008/AC:2009
<https://standards.iteh.ai/catalog/standards/sist/2a1c2e88-fbf5-4e44-9067-3a075d66cc7c/sist-en-iso-13849-1-2008-ac-2009>