



**SLOVENSKI STANDARD**  
**SIST EN 1993-5:2007/AC:2009**  
**01-julij-2009**

---

**Evrokod 3: Projektiranje jeklenih konstrukcij - 5. del: Pilotiranje**

Eurocode 3 - Design of steel structures - Part 5: Piling

Eurocode 3 - Bemessung und Konstruktion von Stahlbauten - Teil 5: Pfähle und Spundwände

Eurocode 3 - Calcul des structures en acier - Partie 5: Pieux et palplanches

**STANDARD PREVIEW**  
**(standards.iteh.ai)**

**Ta slovenski standard je istoveten z: EN 1993-5:2007/AC:2009**

<https://standards.iteh.ai/catalog/standards/sist/7eb19db5-d5b2-4c6b-85b4-2365ecd700fa/sist-en-1993-5-2007-ac-2009>

**ICS:**

91.010.30	V^@ã}ãããã	Technical aspects
91.080.10	Kovinske konstrukcije	Metal structures

**SIST EN 1993-5:2007/AC:2009**                      **en**

**iTeh STANDARD PREVIEW**  
**(standards.iteh.ai)**

SIST EN 1993-5:2007/AC:2009

<https://standards.iteh.ai/catalog/standards/sist/7eb19db5-d5b2-4c6b-85b4-2365ecd700fa/sist-en-1993-5-2007-ac-2009>

EUROPEAN STANDARD

**EN 1993-5:2007/AC**

NORME EUROPÉENNE

May 2009

EUROPÄISCHE NORM

Mai 2009

Mai 2009

---

ICS 91.010.30; 91.080.10English version  
Version Française  
Deutsche Fassung

## Eurocode 3 - Design of steel structures - Part 5: Piling

Eurocode 3 - Calcul des structures en acier  
- Partie 5: Pieux et palplanchesEurocode 3 - Bemessung und Konstruktion  
von Stahlbauten - Teil 5: Pfähle und  
Spundwände

This corrigendum becomes effective on 13 May 2009 for incorporation in the three official language versions of the EN.

Ce corrigendum prendra effet le 13 mai 2009 pour incorporation dans les trois versions linguistiques officielles de la EN.

Die Berichtigung tritt am 13. Mai 2009 zur Einarbeitung in die drei offiziellen Sprachfassungen der EN in Kraft.

**iTeh STANDARD PREVIEW**  
(standards.iteh.ai)  
<https://standards.iteh.ai/catalog/standards/sist/7eb19db5-d5b2-4c6b-85b4-2365ecd700fa/sist-en-1993-5-2007-ac-2009>

EUROPEAN COMMITTEE FOR STANDARDIZATION  
COMITÉ EUROPÉEN DE NORMALISATION  
EUROPÄISCHES KOMITEE FÜR NORMUNG

Management Centre: Avenue Marnix 17, B-1000 Brussels

---

© 2009 CEN All rights of exploitation in any form and by any means reserved worldwide for CEN national Members.  
Tous droits d'exploitation sous quelque forme et de quelque manière que ce soit réservés dans le monde entier aux membres nationaux du CEN.  
Alle Rechte der Verwertung, gleich in welcher Form und in welchem Verfahren, sind weltweit den nationalen Mitgliedern von CEN vorbehalten.

Ref. No.: EN 1993-5:2007/AC:2009 D/E/F

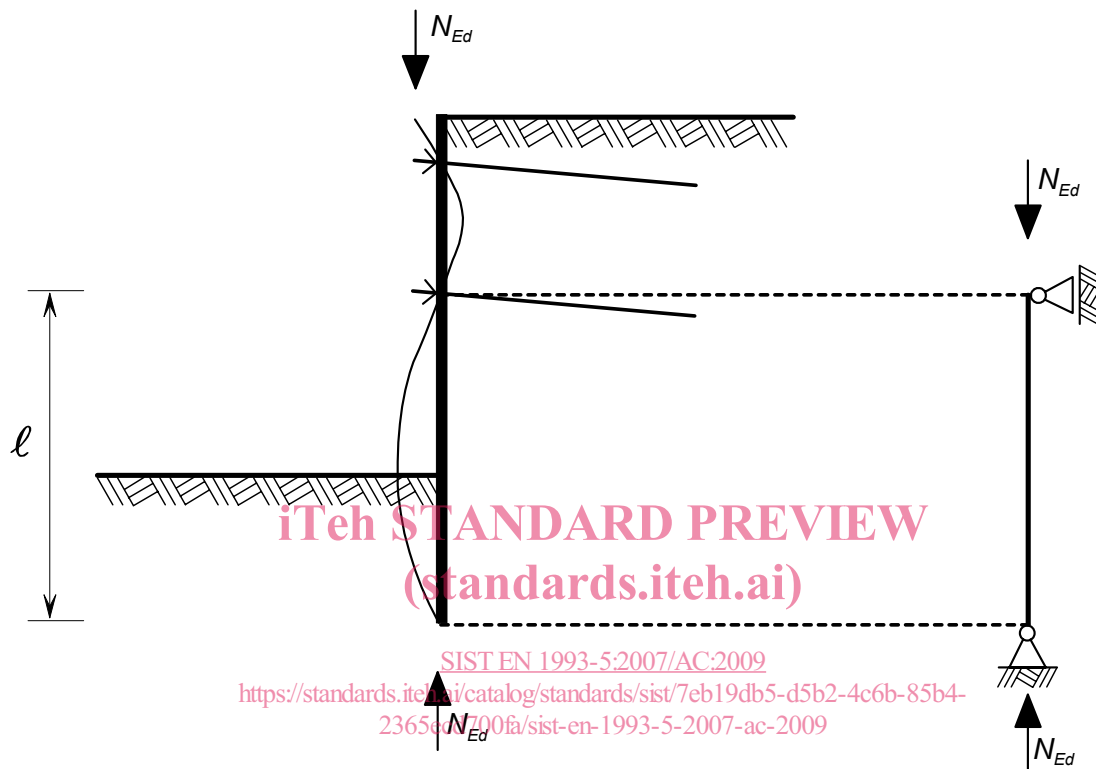
## EN 1993-5:2007/AC:2009 (E)

## 1) Modifications to 5.2.3

Paragraph "(6)", last sentence, replace "an additional pile length  $h$  according" with "an additional pile length  $\Delta h$  according".

Paragraph "(8)", replace "Figure 5-2" with the following one:

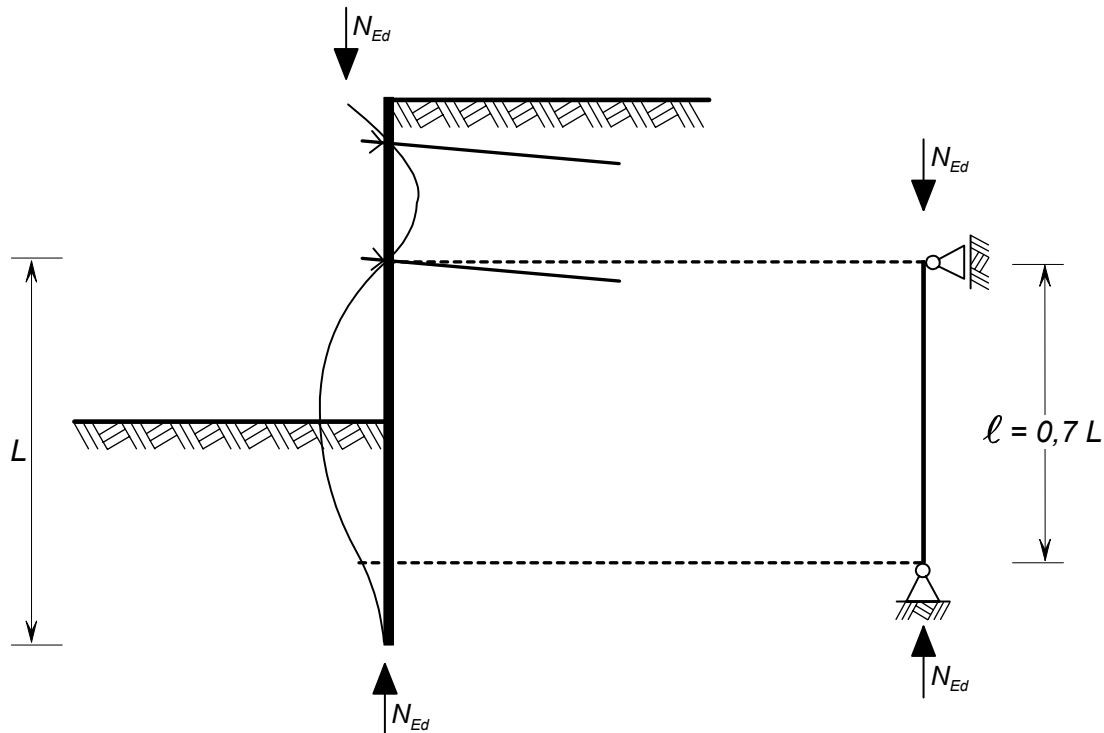
"



"

Paragraph "(8)", replace "Figure 5-3" with the following one:

"



..

## iTeh STANDARD PREVIEW (standards.iteh.ai)

### 2) Modifications to 5.2.5

Paragraph "(14)", Equation "(5.25)", replace " $F_{tc,Ed}$ " with " $F_{tm,Ed}$ ".

[SIST EN 1993-5:2007/AC:2009](https://standards.iteh.ai/catalog/standards/sist/7eb19db5-d5b2-4c6b-85b4-2565ccd700a/sist-en-1993-5-2007-ac-2009)

Paragraph "(14)", lines just under Equation "(5.25)" 2nd line under "where:", replace " $F_{tc,Ed}$ " with " $F_{tm,Ed}$ ".

Paragraph "(14)", Equation "(5.26)", replace " $F_{tc,Ed}$ " with " $F_{tm,Ed}$ ".

Paragraph "(14)", Equation "(5.27)", replace " $\varphi_d$ " with " $\varphi_k$ ".

Paragraph "(14)", 1st line above "NOTE 1", replace " $\varphi_d$  is the design value" with " $\varphi_k$  is the characteristic value".

### 3) Modification to 5.3.3

Paragraph "(7)P", "Figure 5-8", replace:

- |     |   |
|-----|---|
| 1,0 | connection B fixed and pinned           |
| 0,7 | connection B fixed and restrained       |
| 2,0 | connection B non fixed, but restrained" |

with:

**EN 1993-5:2007/AC:2009 (E)**

"1,0	connection B translation fixed and rotation free
0,7	connection B translation fixed and rotation fixed
2,0	connection B translation free and rotation fixed".

**4) Modification to 7.1**

*Paragraph "(4)", replace " $\gamma_{Mt,ser}$ " with " $\gamma_{M3,ser}$ ".*

**5) Modifications to 7.2.3**

*Paragraph "(2)", replace the text of "NOTE 1" with: " $k_t$  may be given in the National Annex. The recommended value for  $k_t$  is  $k_t=0,6$ . This is motivated for cases where possible bending in the anchor as an effect of actions is not made explicit. Only in cases where the structural detailing of the location where the anchor rod is joined to the wall is such that bending moments are avoided at that location, the recommended value for  $k_t$  may be chosen as  $k_t=0,9$ ."*

*Paragraph "(4)", delete the whole Paragraph.*

*Paragraph "(5)", replace paragraph number "(5)" with "(4)".*

*Paragraph "(6)", replace paragraph number "(6)" with "(5)".*

*Paragraph "(7)", replace paragraph number "(7)" with "(6)".*

*Paragraph "(8)", replace paragraph number "(8)" with "(7)".*

[SIST EN 1993-5:2007/AC:2009](https://standards.iteh.ai/catalog/standards/sist/7eb19db5-d5b2-4c6b-85b4-2365ecd700fa/sist-en-1993-5-2007-ac-2009)

<https://standards.iteh.ai/catalog/standards/sist/7eb19db5-d5b2-4c6b-85b4-2365ecd700fa/sist-en-1993-5-2007-ac-2009>