



SLOVENSKI STANDARD
SIST EN 15287-1:2008/kprA1:2010
01-maj-2010

Dimniki - Projektiranje, vgradnja in pregled dimnikov - 1. del: Dimniki za ogrevalne naprave v netesnih prostorih

Chimneys - Design, installation and commissioning of chimneys - Part 1: Chimneys for non-roomsealed heating appliances

Abgasanlagen - Planung, Montage und Abnahme von Abgasanlagen - Teil 1: Abgasanlagen für raumluftabhängige Feuerstätten

Conduit de fumée - Conception, installation et mise en service des conduits de fumée - Partie 1: Conduits de fumée pour appareils de combustion qui prélèvent l'air comburant dans la pièce

Ta slovenski standard je istoveten z: EN 15287-1:2007/FprA1

ICS:

91.060.40 Dimniki, jaški, kanali Chimneys, shafts, ducts

SIST EN 15287-1:2008/kprA1:2010 en,fr,de

EUROPEAN STANDARD
NORME EUROPÉENNE
EUROPÄISCHE NORM

FINAL DRAFT
EN 15287-1:2007

FprA1

March 2010

ICS 91.060.40

English Version

Chimneys - Design, installation and commissioning of chimneys - Part 1: Chimneys for non-roomsealed heating appliances

Conduit de fumée - Conception, installation et mise en service des conduits de fumées - Partie 1: Conduits de fumée pour appareils de combustion qui prélèvent l'air comburant dans la pièce

Abgasanlagen - Planung, Montage und Abnahme von Abgasanlagen - Teil 1: Abgasanlagen für raumluftabhängige Feuerstätten

This draft amendment is submitted to CEN members for unique acceptance procedure. It has been drawn up by the Technical Committee CEN/TC 166.

This draft amendment A1, if approved, will modify the European Standard EN 15287-1:2007. If this draft becomes an amendment, CEN members are bound to comply with the CEN/CENELEC Internal Regulations which stipulate the conditions for inclusion of this amendment into the relevant national standard without any alteration.

This draft amendment was established by CEN in three official versions (English, French, German). A version in any other language made by translation under the responsibility of a CEN member into its own language and notified to the CEN Management Centre has the same status as the official versions.

CEN members are the national standards bodies of Austria, Belgium, Bulgaria, Croatia, Cyprus, Czech Republic, Denmark, Estonia, Finland, France, Germany, Greece, Hungary, Iceland, Ireland, Italy, Latvia, Lithuania, Luxembourg, Malta, Netherlands, Norway, Poland, Portugal, Romania, Slovakia, Slovenia, Spain, Sweden, Switzerland and United Kingdom.

Warning : This document is not a European Standard. It is distributed for review and comments. It is subject to change without notice and shall not be referred to as a European Standard.



EUROPEAN COMMITTEE FOR STANDARDIZATION
COMITÉ EUROPÉEN DE NORMALISATION
EUROPÄISCHES KOMITEE FÜR NORMUNG

Management Centre: Avenue Marnix 17, B-1000 Brussels

Contents

Page

Foreword.....	3
1 Modification to Figure A.1.....	4
2 Modification to A.3.....	4
3 Modification to Table E.5	5
4 Modification to I.2.2	5
5 Modification to I.3	5
6 Modification to I.9	5
7 Modification to J.2.2	6
8 Modification to J.2.3	6
9 Modification to J.2.4	6
10 Modification to J.8	6
11 Modification to N.1.....	6

Foreword

This document (EN 15287-1:2007/FprA1:2010) has been prepared by Technical Committee CEN/TC 166 “Chimneys”, the secretariat of which is held by UNI.

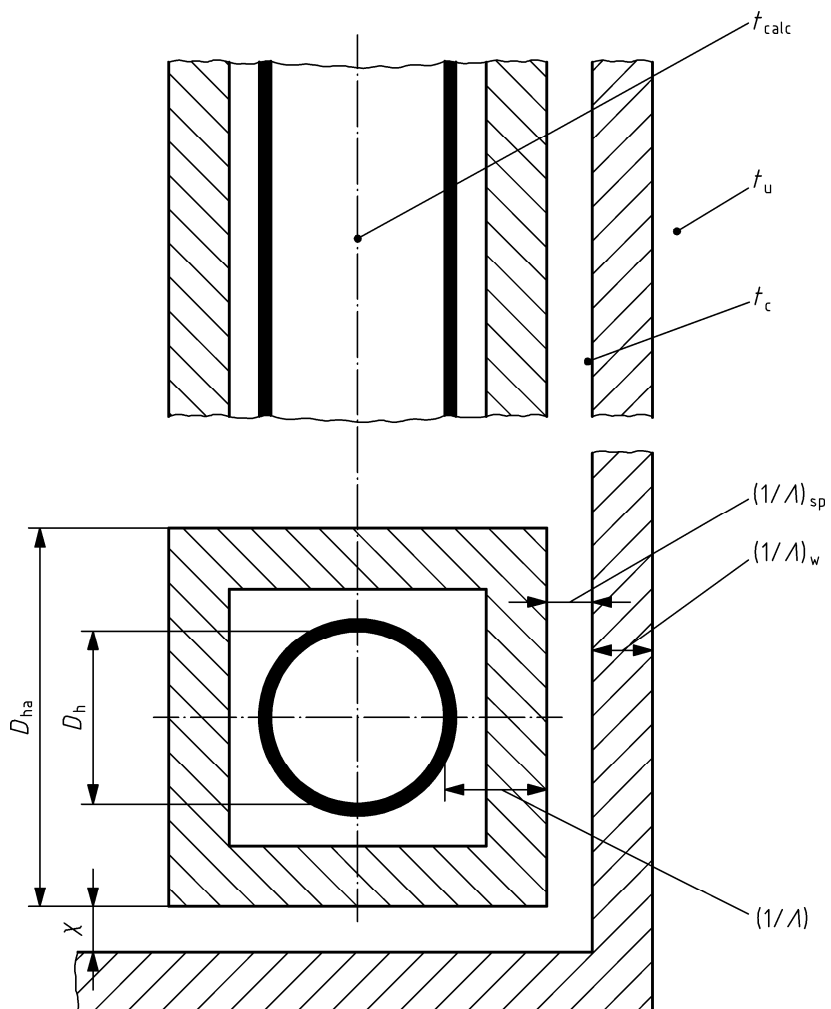
This document is currently submitted to the Unique Acceptance Procedure.

EN 15287-1:2007/FprA1:2010 (E)

1 Modification to Figure A.1

Replace Figure A.1 with the following:

"



".

2 Modification to A.3

Replace before Equation (A.6)

"(0,01 m $\geq x \geq$ 0,05 m)"

with

"(0,01 m $\leq x <$ 0,05 m)".

Replace after Equation (A.8)

"for $0,01 \text{ m} \geq x \geq 0,05 \text{ m}$ "

with

"for $0,01 \text{ m} \leq x < 0,05 \text{ m}$ ".

In the NOTE before Table A.4 replace

"Annex P" with "Annex I".

3 Modification to Table E.5

Add line "L 80080 ^v" with "D3" for Italy.

Add the following footnote to table: "^v the whole wall thickness of the double sided enameled steel (0,15 mm enamel + 0,5 mm steel + 0,15 mm enamel)".

Replace in line L 10150 "D1 ⁿ" with "W1 ⁿ" for Germany.

Replace in line L 11100 "D1 ⁿ" with "W1 ⁿ" for Germany.

Replace in line L 13150 "D1" with "W1" for Germany.

4 Modification to I.2.2

Replace the three indents as follows: "

- liner: designation of the liner ⇒ T400]
- insulation: Table A.1 ⇒ T400}⇒T400
- outer wall: Table A.1 ⇒ T600]

".

5 Modification to I.3

Replace " "N" " with " "N.1" ".

6 Modification to I.9

In the line "flow resistance" replace:

"1 mm" with "1 mm roughness".

