



Designation: C 840 – 04

Standard Specification for Application and Finishing of Gypsum Board¹

This standard is issued under the fixed designation C 840; the number immediately following the designation indicates the year of original adoption or, in the case of revision, the year of last revision. A number in parentheses indicates the year of last approval. A superscript epsilon (ϵ) indicates an editorial change since the last revision or reapproval.

This standard has been approved for use by agencies of the Department of Defense.

1. Scope

1.1 This specification covers the minimum requirements for the methods of application and finishing of gypsum board, including related items and accessories.

1.2 Details of construction for a specific assembly to achieve the required fire resistance shall be obtained from reports of fire-resistance tests, engineering evaluations, or listings from recognized fire testing laboratories.

1.2.1 Where this specification is more stringent (size or thickness of framing; size and spacing of fasteners) than the fire-rated construction, this specification shall govern.

1.3 Where sound control is required for a gypsum board assembly, details of construction shall be in accordance with reports of acoustical tests of assemblies that have met the required acoustical values.

1.4 Unheated spaces above gypsum board ceilings shall be properly ventilated (see Appendix X2).

1.5 The various application systems are located in the following sections:

I	Application of Single-Ply Gypsum Board to Wood Framing Members	8
II	Application of Two-Ply Gypsum Board to Wood Framing Members	9
III	Application of Gypsum Board by Adhesive Nail-On to Wood Framing Members	10
IV	Semi-Solid Gypsum Board Partitions	11
V	Solid Gypsum Board Partitions	12
VI	Application of Gypsum Board with Adhesives to Interior Masonry or Concrete Walls	13
VII	Application of Gypsum Board to Rigid Foam Insulation	14
VIII	Application of Gypsum Board to Steel Framing and Furring	15
IX	Arches and Bending Radii	16
X	Application of Gypsum Board to Receive Tile by Adhesive Application	17
XI	Exterior Application of Gypsum Wallboard and Exterior Gypsum Soffit Board	18
XII	Floating Interior Angles	19
XIII	Control (Expansion) Joints	20
XIV	Foil-Backed Gypsum Board	21

The values stated in inch-pound units are to be regarded as the standard. The SI (metric) values given in parentheses are approximate and are provided for information purposes only.

1.6 The text of this specification references notes and footnotes which provide explanatory material. These notes and footnotes (excluding those in tables and figures) shall not be considered as requirements of the specification.

1.7 The following precautionary caveat pertains only to Sections 6-24. *This standard does not purport to address all of the safety concerns, if any, associated with its use. It is the responsibility of the user of this standard to establish appropriate safety and health practices and determine the applicability of regulatory limitations prior to use.*

1.7.1 For specific precautionary statements, see 4.1.1, 4.1.2, and 22.5.

2. Referenced Documents

2.1 ASTM Standards:²

- C 11 Terminology Relating to Gypsum and Related Building Materials and Systems
- C 36/C 36M Specification for Gypsum Wallboard
- C 442/C 442M Specification for Gypsum Backing Board, Gypsum Coreboard, and Gypsum Shaftliner Board
- C 475/C 475M Specification for Joint Compound and Joint Tape for Finishing Gypsum Board
- C 514 Specification for Nails for the Application of Gypsum Board
- C 557 Specification for Adhesives for Fastening Gypsum Wallboard to Wood Framing
- C 630/C 630M Specification for Water-Resistant Gypsum Backing Board
- C 645 Specification for Nonstructural Steel Framing Members
- C 754 Specification for Installation of Steel Framing Members to Receive Screw-Attached Gypsum Panel Products

¹ This specification is under the jurisdiction of ASTM Committee C11 on Gypsum and Related Building Materials and Systems and is the direct responsibility of Subcommittee C11.03 on Specifications for the Application of Gypsum and Other Products in Assemblies.

Current edition approved Jan. 1, 2004. Published February 2004. Originally approved in 1979. Last previous edition approved in 2003 as C 840 – 03.

² For referenced ASTM standards, visit the ASTM website, www.astm.org, or contact ASTM Customer Service at service@astm.org. For *Annual Book of ASTM Standards* volume information, refer to the standard's Document Summary page on the ASTM website.

- C 931/C 931M Specification for Exterior Gypsum Soffit Board
- C 954 Specification for Steel Drill Screws for the Application of Gypsum Panel Products or Metal Plaster Bases to Steel Studs from 0.033 in. (0.84 mm) to 0.112 in. (2.84 mm) in Thickness
- C 1002 Specification for Steel Self-Piercing Tapping Screws for the Application of Gypsum Panel Products or Metal Plaster Bases to Wood Studs or Steel Studs
- C 1007 Specification for Installation of Load Bearing (Transverse and Axial) Steel Studs and Related Accessories
- C 1047 Specification for Accessories for Gypsum Wallboard and Gypsum Veneer Base
- C 1395/C 1395M Specification for Gypsum Ceiling Board
- C 1546 Guide for Installation of Gypsum Products in Concealed Radiant Ceiling Heating Systems
- 2.2 U.S. Department of Commerce Publication: PS20 American Softwood Lumber Standard³
- 2.3 ANSI Standard: ANSI A 136.1 Organic Adhesives for Installation of Ceramic Tile, Type I and Type II⁴

3. Terminology

3.1 *Definitions*—Definitions shall be in accordance with Terminology C 11.

3.2 *Descriptions of Terms Specific to This Standard:*

3.2.1 *all-purpose compound, n*—a compound formulated and manufactured to serve as a taping or finishing compound, or both.

3.2.2 *critical lighting, n*—a condition where interior surfaces are flooded by natural or artificial lighting at an oblique angle.

3.2.3 *decoration, n*—paint (including primers), texture, coatings, and coverings such as wallpaper and sheet plastic materials designed to conceal or protect the surface of the gypsum board (see Appendix X3).

3.2.4 *dry type, n*—a compound in powder form to be mixed with water before use.

3.2.5 *drying type, n*—a compound that hardens by the evaporation of the vehicle used to make the paste.

3.2.6 *drywall primer, n*—a paint material specifically formulated to fill the pores and minimize the suction difference between gypsum board surface paper and the compound used on finished joints, angles, fastener heads and accessories, and over skim coatings.

3.2.7 *face panel, n*—outside ply of multiple layer gypsum board assemblies.

3.2.8 *finished wallboard, n*—wallboard that has had the joints taped, has had the joints, fastener heads, and flanges of accessories concealed with joint compound, and has been sanded to prepare the surface to receive job applied decoration.

3.2.9 *finishing, n*—the preparation of gypsum board surfaces to receive the field application of decoration.

3.2.10 *finishing compound (sometimes called topping compound), n*—a compound used for successive coats over the taping or all-purpose compound that provides a smooth and level surface for the application of decoration.

3.2.11 *finishing of accessories, n*—the application of compound to flanges of accessories to create a monolithic surface.

3.2.12 *flange, n*—that part of an accessory extending over the face of the gypsum wallboard intended to become a part of the monolithic plane of the prepared surface.

3.2.13 *framing member, n*—that portion of the framing, furring, and blocking to which the gypsum board is attached.

3.2.14 *harden, v*—a condition reached when the compound has lost its plasticity to an arbitrary degree, measured in resistance to penetration or deformation.

3.2.15 *joint photographing, n*—a condition where the finished joint areas visible after final decoration.

3.2.16 *joint tape, n*—a strip of material designed to be embedded in compound to reinforce joints, cracks, or other small openings in or between gypsum boards.

3.2.17 *joint treatment, n*—application of joint tape and compound to the joint between gypsum boards.

3.2.18 *laminating compound, n*—a compound (abrasive) used to adhere gypsum board to gypsum board or other monolithic materials.

3.2.19 *parallel or vertical application, n*—gypsum board applied with the edges parallel to the framing member to which it is attached.

3.2.20 *perpendicular or horizontal application, n*—gypsum board application with the edges applied at right angles to the framing member to which it is attached.

3.2.21 *ready-mix type, n*—a factory-prepared compound ready to be used without the addition of water.

3.2.22 *required, adj*—pertaining to a mandatory obligation imposed by a force outside this standard, such as a building code, project specification, contract, or purchase order.

3.2.23 *setting type, n*—a compound that hardens by a chemical reaction and increases in straight through drying.

3.2.24 *skim coat, n*—a thin coat of skim coat compound applied over the finished wallboard surface.

3.2.25 *skim coat compound, n*—joint compound, or a compound specifically formulated and manufactured for use as a skim coat.

3.2.26 *specified, adj*—pertaining to a mandatory requirement of this standard or a referenced requirement (see 3.2.20).

3.2.27 *spotting fastener heads, n*—the application of compound to cover the fastener head to create a monolithic surface.

3.2.28 *taping compound (sometimes called embedding compound), n*—a compound used for embedding and bonding joint tape and for the first coat over the heads of fasteners and flanges of accessories.

3.2.29 *taping of joints, n*—the application of compound and joint reinforcing tape to the joints between adjoining gypsum boards.

3.2.30 *treated joint, n*—a joint between gypsum boards that has been covered with joint tape and joint compound as specified in 22.3.2.

3.2.30.1 *Discussion*—Strip moldings or similar devices shall be permitted.

³ Available from U.S. Government Printing Office, Washington, DC 20402.

⁴ Available from American National Standards Institute (ANSI), 25 W. 43rd St., 4th Floor, New York, NY 10036.

4. Environmental Conditions

4.1 *Application of Gypsum Board, Joint Treatment Materials, and Adhesives*—Room temperature shall be maintained at not less than 40°F (4°C) during application of gypsum board except when adhesive is used for the attachment of gypsum board. For the bonding of adhesive, joint treatment, texturing, and decoration, the room temperature shall be maintained at not less than 50°F (10°C) for 48 h prior to application and continuously thereafter until completely dry.

4.1.1 When a temporary heat source is used, the temperature shall not exceed 95°F (35°C) in any given room or area.

4.1.2 Adequate ventilation shall be maintained in the working area during installation and curing period.

4.2 Gypsum board shall be protected from direct exposure to rain, snow, sunlight, or other excessive weather conditions.

NOTE 1—Where manufacturers' recommendations differ from the above, follow their recommendations.

4.3 Ready-mixed joint compounds shall be protected from freezing, exposure to extreme heat, and direct sunlight.

5. Materials and Manufacture

5.1 *Gypsum Boards*—A family of gypsum sheet products as defined in Terminology C 11.

5.1.1 *Type X (Special Fire-Resistant) Gypsum Wallboard, Gypsum Backing Board, Water-Resistant Gypsum Backing Board, or Exterior Gypsum Soffit Board*—Gypsum board that provides a greater degree of fire resistance than regular gypsum board as defined in Specifications C 36/C 36M, C 442/C 442M, C 630/C 630M and C 931/C 931M.

5.1.2 *Foil-Backed Gypsum Wallboard or Gypsum Backing Board*—Regular or Type X gypsum board with foil laminated to the back surface. The foil is a vapor retarder.

5.1.3 *Predecorated Gypsum Board*—Gypsum board with a decorative wall covering or coating applied in-plant by the gypsum board manufacturer.

5.2 *Gypsum Wallboard*—See Specification C 36/C 36M.

5.3 *Gypsum Backing Board and Coreboard*—See Specification C 442/C 442M.

5.4 *Water-Resistant Gypsum Backing Board*—See Specification C 630/C 630M.

5.5 *Exterior Gypsum Soffit Board*—See Specification C 931/C 931M.

5.6 *Gypsum Ceiling Board*—See Specification C 1395/C 1395M.

5.7 *Finishing Materials:*

5.7.1 *Compounds*—Taping compound, finishing compound, and all-purpose compound shall meet the requirements of Specification C 475/C 475M.

5.7.2 Mix compounds in accordance with the manufacturers' directions.

5.7.3 *Joint Tape*—See Specification C 475/C 475M.

5.8 *Fasteners:*

5.8.1 *Nails*—See Specification C 514.

5.8.2 *Screws:*

5.8.2.1 See Specification C 1002 for screws for fastening gypsum board to wood members, steel members less than 0.03 in thickness, and to gypsum board.

5.8.2.2 See Specification C 754 and Specification C 954 for screws for fastening gypsum board to steel members from 0.033 to 0.112 in. in thickness.

5.8.3 *Staples*—No. 16 USS gage flattened galvanized wire staples with 7/16-in. (11.1-mm) wide crown outside measurement. Legs shall have divergent points.

NOTE 2—Use only for the base ply of two-ply gypsum board application.

5.9 *Adhesives:*

5.9.1 *Fastening Gypsum Board to Wood Framing*—See Specification C 557.

5.9.2 *Fastening Gypsum Board to Steel Framing*—As specified by the manufacturer.

5.9.3 *Laminating Gypsum Board to Gypsum Board*—Laminating compounds, taping compound, or adhesive shall be as specified by the manufacturer.

NOTE 3—Adhesives for the installation of ceramic tile, see Appendix X4.

5.10 *Framing Members:*

5.10.1 Wood framing members shall conform to PS20, American Softwood Lumber Standards. The surface to which abutting edges or ends are attached shall be not less than 1 1/2 in. (38.1 mm) wide. For internal corners or angles, the bearing surface shall not be less than 3/4 in. (19.1 mm).

5.10.2 *Steel Studs, Furring Channels, and Runners, Non-Load Bearing*—See Specification C 645.

5.10.3 *Gypsum Studs*—Specification C 36/C 36M or C 442/C 442M, not less than 1 in. (25.4 mm) thick by 6 in. (152 mm) wide. Studs shall be either solid or laminated.

5.11 *Accessories*—See Specification C 1047.

5.12 *Water*—Water shall be clean, fresh, and potable (suitable for domestic consumption).

5.13 *Face Panels*—Face panels shall be 1/2 in. (12.7 mm), 5/8 in. (15.9 mm), or multiple laminations of regular or Type X gypsum board.

5.14 *Core Board*—Core board shall be 3/4 in. (19.1 mm) or 1 in. (25.4 mm) either single thickness or multiple layers to the required thickness.

6. Substrate, Surface Preparation

6.1 The attachment surface of any framing member shall not vary more than 1/8 in. (3.2 mm) from the plane of the faces of adjacent framing members.

6.2 Wood framing shall be as straight and true as possible. Wood framing shall be securely attached following acceptable engineering practices and as required for the intended design.

NOTE 4—For installation of wood framing, see Appendix X5.

6.3 Metal framing members shall be of the proper size and design for their intended use and shall be installed in accordance with Specifications C 754 or C 1007 as required.

6.4 Masonry or concrete walls shall be dry, free of dust, oil, or form release agents, protrusions or voids, or foreign matter that inhibit bond for adhesively applied gypsum board.

6.5 All framing members and substrate shall be installed so that after the gypsum board has been applied, the finished surface will be in an even plane.

6.6 Gypsum board shall be kept free of any dirt, oil, or other foreign matter that cause a lack of bond. Foreign matter shall be removed.

6.7 All dents or gouges on the face of the gypsum board shall be brought up to a smooth level plane with the surface of the board.

6.8 Mechanical fasteners shall be set below the plane of the surface of the board.

6.9 All joints shall be true and even.

6.10 All gypsum board shall be tight against the framing member or substrate.

6.11 Deflection at design load of horizontal (ceiling) framing members supporting gypsum board shall be not more than $L/240$ of the span.

7. Application of Gypsum Board

7.1 General:

7.1.1 *Method of Cutting and Installation*—Gypsum board shall be cut by scoring and breaking or by sawing, working from the face side. When cutting by scoring, the face paper shall be cut with a sharp knife or other suitable tool. Gypsum board shall be broken by snapping the gypsum board in the reverse direction, or cut the back paper with a knife or suitable tool.

7.1.2 Cut edges and ends of the gypsum board shall be smoothed to obtain neat joints when installed. Holes for pipes, fixtures, or other small openings shall be scored on the back and the face in outline before removal or cut out with a saw or special tool designed for this purpose. Where gypsum board meets projecting surfaces, it shall be scribed and cut neatly.

7.1.3 When gypsum board is to be applied to both ceiling and walls, the gypsum board shall be applied first to the ceiling and then to the walls.

7.1.4 Where used at edges or ends, fasteners shall be spaced not more than 1 in. (25 mm) from edges and not less than $\frac{3}{8}$ in. (9.5 mm) from edges and ends of gypsum board (except where floating angles are used). Perimeter fastening into the partition plate or sole at the top and bottom shall not be required except where the fire ratings, structural performance, or other special conditions require such fastening. While driving the fasteners,

the gypsum board shall be held in firm contact with the underlying support. Application of fasteners shall proceed from the center or field of the gypsum board to the ends and edges.

7.1.5 Nails shall be driven with the heads slightly below the surface of the gypsum board, avoiding damage to the face and core of the board, such as breaking the paper or fracturing the core.

7.1.5.1 Length of nails shall be as shown in Table 1.

7.1.6 Screws shall be driven to provide screwhead penetration just below the gypsum board surface without breaking the surface paper of the gypsum board or stripping the framing member around the screw shank.

7.1.6.1 Length of screws shall be as shown in Table 1.

7.1.7 Staples shall be driven with the crown parallel to the framing members, in such a manner that the crown bears tightly against the gypsum board without cutting into the face paper.

7.1.7.1 Staple attachment shall be restricted to the base plies only of gypsum board in a multi-ply system.

7.1.7.2 Length of staples shall be as shown in Table 1.

7.1.8 The gypsum board shall be kept tight against the framing.

7.1.9 The external corners shall be protected with a metal corner bead or other suitable type of corner protection that shall be attached to supporting construction with fasteners or a crimping tool nominally 6 in. (152 mm) on centers (see Section 3 and Fig. 1).

7.2 Gypsum board shall not be used where it will be exposed to temperatures more than 125°F (52°C) for extended periods of time.

7.3 Gypsum board joints shall be located so that no joint will align with the edge of an opening unless control joints are to be installed at these locations.

7.4 Joints shall be staggered, and joints on opposite sides of a partition shall not occur on the same stud.

7.5 Gypsum board used in building construction shall be not less than 8 in. (203 mm) from the finished grade in fully weather and water protected siding systems, and not less than 12 in. (305 mm) from the ground within properly drained and ventilated crawl spaces. Where ground moisture or humidity is

TABLE 1 Fastener Length for Gypsum Board Application to Wood Framing^A

Gypsum Board Thickness ^B in. (mm)	Minimum Nail Length ^C in. (mm)	Minimum Screw Length in. (mm)	Minimum Staple ^D Length in. (mm)
$\frac{1}{4}$ (6.4)	^E $1 \frac{1}{4}$ (32)	^E 1 (25)	^E 1 (25)
$\frac{3}{8}$ (9.5)	$1 \frac{3}{8}$ (35)	$1 \frac{1}{8}$ (28)	$1 \frac{1}{8}$ (28)
$\frac{1}{2}$ (12.7)	$1 \frac{1}{2}$ (38)	$1 \frac{1}{4}$ (32)	$1 \frac{1}{4}$ (32)

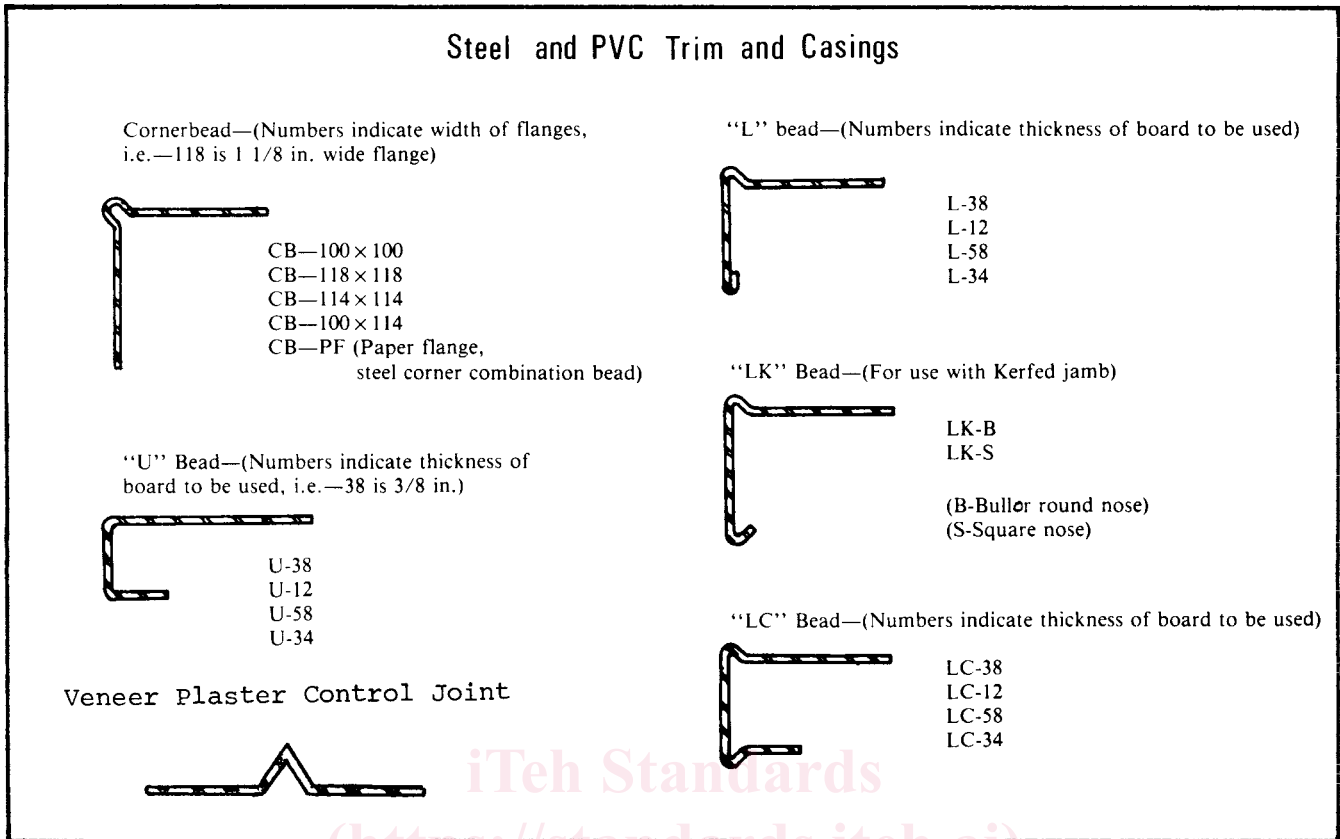
^AWhere fire resistance is required for gypsum board systems, fasteners of the same or larger length, shank diameter, and head bearing area as those described in the fire-rated design shall be used.

^BFor other thicknesses, for multi-layer applications, or for application over rigid foam insulation, fasteners shall be of sufficient length to penetrate framing not less than $\frac{7}{8}$ in. (22 mm) for nails, $\frac{5}{8}$ in. (15 mm) for screws, and $\frac{5}{8}$ in. (15 mm) for staples.

^CThe maximum penetration for nails shall not exceed $1 \frac{1}{4}$ in. (32 mm).

^DStaple attachment is restricted to base layers of multi-layer systems only. See 7.1.7.1.

^EFor application over existing solid surfaces or in multi-layer applications only—see ^B above for required fastener length.



NOTE—All dimensions are in inch-pound units.

FIG. 1 Accessories

extreme and/or continuous, the crawl space ground surface shall be covered with a vapor barrier.

8. System I: Application of Single-Ply Gypsum Board to Wood Framing Members

8.1 The maximum spacing for framing members for single-ply gypsum board assembly shall not exceed those shown in Table 2.

8.1.1 The 1/4-in. (6.4-mm) thick gypsum board shall not be used in single-ply applications on either walls or ceilings.

8.2 In single-ply installation, all ends and edges of gypsum board shall occur over framing members or other solid backing except where treated joints occur at right angles to framing or furring members.

8.3 End joints shall be staggered and joints on opposite sides of a partition shall be arranged to occur on alternate framing members.

8.4 Application using nails.

8.4.1 Where a specific degree of fire resistance is required for gypsum board assemblies, nails of the same length, shank diameter, and head bearing area, as those described in the fire test report, shall be used.

8.4.2 *Single Nailing*—Nails shall be spaced a maximum of 7 in. (177.8 mm) on centers on ceilings, and a maximum of 8 in. (203.2 mm) on centers on walls (see Fig. 2).

8.4.3 *Double Nailing*—Nails shall be spaced as shown in Fig. 3 and driven as follows:

TABLE 2 Maximum Framing Spacing for Single-Ply Construction^A

Single-Ply Gypsum Board Thickness, in. (mm)	Application ^B	Maximum Framing Members On Centers Spacing, in. (mm)
<i>Ceilings:</i>		
3/8 (9.5) ^C	perpendicular	16 (406.4)
1/2 (12.7)	parallel	16 (406.4)
5/8 (15.9)	parallel	16 (406.4)
1/2 (12.7)	perpendicular	24 (609.6)
5/8 (15.9)	perpendicular	24 (609.6)
<i>Sidewalls:</i>		
3/8 (9.5)	perpendicular or parallel	16 (406.4)
1/2 (12.7)	perpendicular	24 (609.6)
or	or	
5/8 (15.9)	parallel	

^A Gypsum board ceilings to receive hand or spray-applied water-based texture material shall be applied perpendicular to framing and shall be either (i) 1/2 in. (12.7 mm) Gypsum Ceiling Board (see Specification C 1395/C 1395M) applied to framing not more than 24 in. (610 mm) on center, or (ii) other gypsum boards not less than 1/2 in. (12.7 mm) thick for 16 in. (406 mm) on center framing and not less than 5/8 in. (15.9 mm) thick for 24 in. (610 mm) on center framing.

^B Nails for gypsum board applied over existing surfaces shall have a flat head and diamond point, and shall penetrate not less than 7/8 in. (22.2 mm), nor more than 1 1/4 in. (31.8 mm) into the framing member.

^C 3/8-in. (9.5-mm) single-ply gypsum board shall not be applied to ceilings where the gypsum board supports insulation.

8.4.3.1 Starting at the center of the gypsum board, nails shall be applied as shown in solid dots in row 1, then rows 2 and 2A, 3 and 3A, 4 and 4A, always nailing from center to edges of sheet. The gypsum board shall be kept tight against the framing.

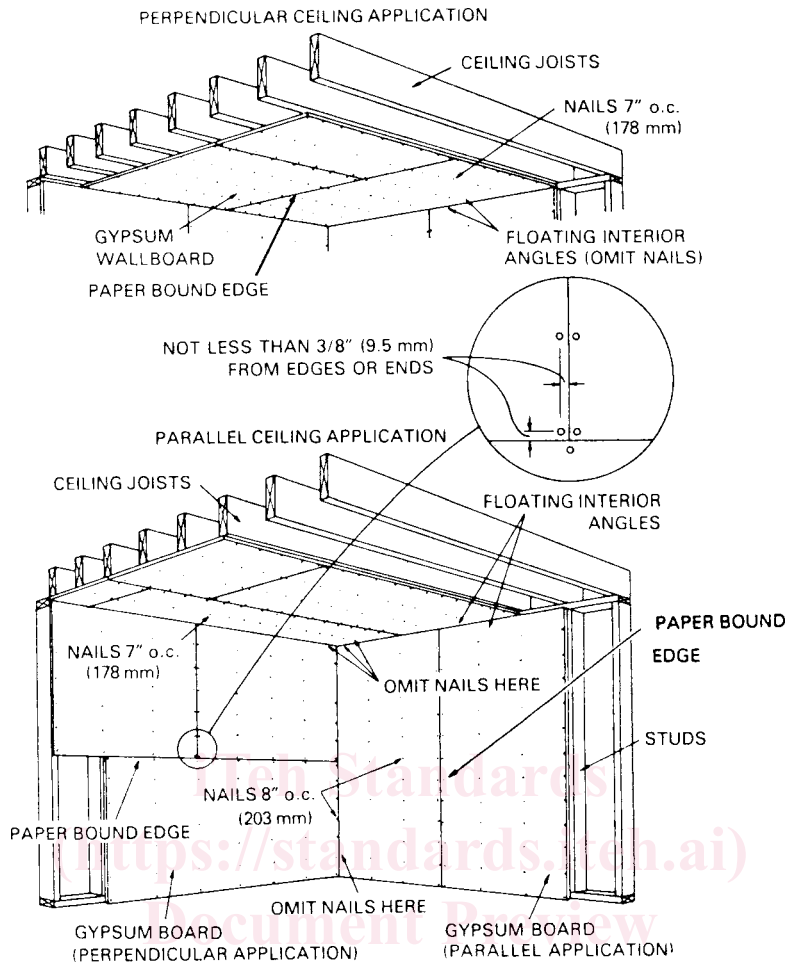


FIG. 2 Single Nailing

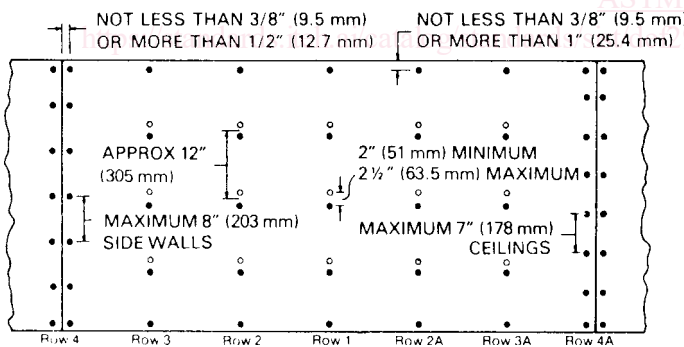


FIG. 3 Double Nailing

ceilings and 16 in. (406.4 mm) on centers for walls where the framing members are 16 in. on centers. Screws shall be spaced not more than 12 in. on centers along framing members for ceilings and walls where the framing members are 24 in. (609.6 mm) on centers.

8.5.1 When using a combination of fasteners consisting of nails along the perimeter and screws in the field of the gypsum board, the spacing between a nail and an adjacent screw shall be not more than the spacing specified for screws in 8.5.

9. System II: Application of Two-Ply Gypsum Board to Wood Framing Members

9.1 The maximum spacings for framing members for two-ply gypsum board assemblies shall not exceed those shown in Tables 3 and 4.

NOTE 5—See Section 2 for adhesive application method.

9.2 The fastener length for the base ply of gypsum board shall be as indicated in Table 1.

9.2.1 Base layer end joints parallel to and on the same side of framing members shall be staggered between alternate courses of gypsum board and from base layer joints on the opposite side of the framing members.

9.2.2 Base layer edge joints parallel to framing members shall be staggered on opposite sides of the framing members.

8.4.3.2 Second nails, shown by circles, shall be applied in the same manner as the first nails, also starting at row 1.

8.4.3.3 As an alternative procedure, the second nail shall be applied immediately after all nails in each row are driven in accordance with 8.4.3.2.

8.4.3.4 Single nailing shall be used on the perimeter of the gypsum board, unless otherwise specified.

8.4.3.5 Nails shall be inspected for compliance with 7.1.5 after the second nails have been set.

8.5 Spacing of Screws—Screws shall be spaced not more than 12 in. (304.8 mm) on centers along framing members for