

SLOVENSKI STANDARD
SIST EN 3660-004:2010

01-januar-2010

BUXca Yý U
SIST EN 3660-004:2009

5 YfcbUj h_U!`8 cXUh_]nUc_fc[`Y]b`dfUj c_cfbYYY_f] bY]b`cdh] bY`cbY`rcfY!
 \$\$("XY.`? UWyg_Ugdc^_Užhd`5 žfUj bUžbYhYgb^YbUžn`fUnVfYa Yb]bc`gdc_b_c`nU9B
 &- - +]b`9B`(\$* +!`GhUbXUfX`nUdfc]nj cX

Aerospace series - Cable outlet accessories for circular and rectangular electrical and optical connectors - Part 004: Cable outlet, style A, straight, unsealed with clamp strain relief for EN 2997 and EN 4067 - Product standard

ITeH STANDARD PREVIEW
(standards.iteh.ai)

Luft- und Raumfahrt - Endgehäuse für elektrische und optische Rund- und Rechtecksteckverbinder - Teil 004: Endgehäuse, Bauform A, gerade Ausführung, nicht abgedichtet, mit Zugentlastungsklemme für EN 2997 und EN 4067 - Produktnorm

<https://standards.iteh.ai/catalog/standards/sist/80801c10-54a4-4c86-abce-0bb5733ab9c5/sist-en-3660-004-2010>

Série aérospatiale - Accessoires arrière pour connecteurs circulaires et rectangulaires électriques et optiques - Partie 004: Raccord droit non étanche type A avec brides serre-câbles pour EN 2997 et EN 4067 - Norme de produit

Ta slovenski standard je istoveten z: EN 3660-004:2009

ICS:

49.060 Š^cp\ aš Ā^•[|b\ æ Aerospace electric
 ^|\ dā} aĀ]!^{\ aš Ā ã c{ ã equipment and systems

SIST EN 3660-004:2010 en

iTeh STANDARD PREVIEW
(standards.iteh.ai)

SIST EN 3660-004:2010

<https://standards.iteh.ai/catalog/standards/sist/8080fc10-54a4-4c86-abce-0bb5733ab9c5/sist-en-3660-004-2010>

EUROPEAN STANDARD

EN 3660-004

NORME EUROPÉENNE

EUROPÄISCHE NORM

November 2009

ICS 49.060

Supersedes EN 3660-004:2006

English Version

Aerospace series - Cable outlet accessories for circular and rectangular electrical and optical connectors - Part 004: Cable outlet, style A, straight, unsealed with clamp strain relief for EN 2997 and EN 4067 - Product standard

Série aérospatiale - Accessoires arrière pour connecteurs circulaires et rectangulaires électriques et optiques - Partie 004 : Raccord droit non étanche type A avec brides serrables pour EN 2997 et EN 4067 - Norme de produit

Luft- und Raumfahrt - Endgehäuse für elektrische und optische Rund- und Rechtecksteckverbinder - Teil 004: Endgehäuse, Bauform A, gerade Ausführung, nicht abgedichtet, mit Zugentlastungsklemme für EN 2997 und EN 4067 - Produktnorm

This European Standard was approved by CEN on 20 June 2009.

CEN members are bound to comply with the CEN/CENELEC Internal Regulations which stipulate the conditions for giving this European Standard the status of a national standard without any alteration. Up-to-date lists and bibliographical references concerning such national standards may be obtained on application to the CEN Management Centre or to any CEN member.

This European Standard exists in three official versions (English, French, German). A version in any other language made by translation under the responsibility of a CEN member into its own language and notified to the CEN Management Centre has the same status as the official versions.

<https://standards.iteh.ai/catalog/standards/sist/8080fc10-54a4-4c86-abce->

CEN members are the national standards bodies of Austria, Belgium, Bulgaria, Cyprus, Czech Republic, Denmark, Estonia, Finland, France, Germany, Greece, Hungary, Iceland, Ireland, Italy, Latvia, Lithuania, Luxembourg, Malta, Netherlands, Norway, Poland, Portugal, Romania, Slovakia, Slovenia, Spain, Sweden, Switzerland and United Kingdom.



EUROPEAN COMMITTEE FOR STANDARDIZATION
COMITÉ EUROPÉEN DE NORMALISATION
EUROPÄISCHES KOMITEE FÜR NORMUNG

Management Centre: Avenue Marnix 17, B-1000 Brussels

Contents

Page

Foreword.....	3
1 Scope	4
2 Normative references	4
3 Terms and definitions	4
4 Characteristics	4
5 Designation	11
6 Marking	12
7 Technical specification	12

iTeh STANDARD PREVIEW
(standards.iteh.ai)

SIST EN 3660-004:2010

<https://standards.iteh.ai/catalog/standards/sist/8080fc10-54a4-4c86-abce-0bb5733ab9c5/sist-en-3660-004-2010>

Foreword

This document (EN 3660-004:2009) has been prepared by the Aerospace and Defence Industries Association of Europe - Standardization (ASD-STAN).

After enquiries and votes carried out in accordance with the rules of this Association, this Standard has received the approval of the National Associations and the Official Services of the member countries of ASD, prior to its presentation to CEN.

This European Standard shall be given the status of a national standard, either by publication of an identical text or by endorsement, at the latest by May 2010, and conflicting national standards shall be withdrawn at the latest by May 2010.

Attention is drawn to the possibility that some of the elements of this document may be the subject of patent rights. CEN [and/or CENELEC] shall not be held responsible for identifying any or all such patent rights.

This document supersedes EN 3660-004:2006.

According to the CEN/CENELEC Internal Regulations, the national standards organizations of the following countries are bound to implement this European Standard: Austria, Belgium, Bulgaria, Cyprus, Czech Republic, Denmark, Estonia, Finland, France, Germany, Greece, Hungary, Iceland, Ireland, Italy, Latvia, Lithuania, Luxembourg, Malta, Netherlands, Norway, Poland, Portugal, Romania, Slovakia, Slovenia, Spain, Sweden, Switzerland and the United Kingdom.

[SIST EN 3660-004:2010](https://standards.iteh.ai/catalog/standards/sist/8080fc10-54a4-4c86-abce-0bb5733ab9c5/sist-en-3660-004-2010)

<https://standards.iteh.ai/catalog/standards/sist/8080fc10-54a4-4c86-abce-0bb5733ab9c5/sist-en-3660-004-2010>

EN 3660-004:2009 (E)**1 Scope**

This European Standard defines a range of cable outlets, style A, straight, unsealed with clamp strain relief for use under the following conditions:

Associated electrical connector(s) : EN 3660-002

Temperature range, Class N : – 65 °C to 200 °C

Class W : – 65 °C to 175 °C

Class K : – 65 °C to 260 °C

Class A : – 65 °C to 200 °C

2 Normative references

The following referenced documents are indispensable for the application of this document. For dated references, only the edition cited applies. For undated references, the latest edition of the referenced document (including any amendments) applies.

EN 2591-100*, *Aerospace series — Elements of electrical and optical connection — Test methods — Part 100: General*

EN 2997 (all parts), *Aerospace series — Connectors, electrical, circular, coupled by threaded ring, fire-resistant or non fire-resistant, operating temperatures - 65 °C to 175 °C continuous, 200 °C continuous, 260 °C peak*

EN 3660-001:2006, *Aerospace series — Cable outlet accessories for circular and rectangular electrical and optical connectors — Part 001: Technical specification*

EN 3660-002, *Aerospace series — Cable outlet accessories for circular and rectangular electrical and optical connectors — Part 002: Index of product standards*

AS85049A, *Connector accessories, electrical general specification for* ¹⁾

3 Terms and definitions

For the purposes of this document, the terms and definitions given in EN 3660-001:2006 apply.

4 Characteristics**4.1 Dimensions and mass**

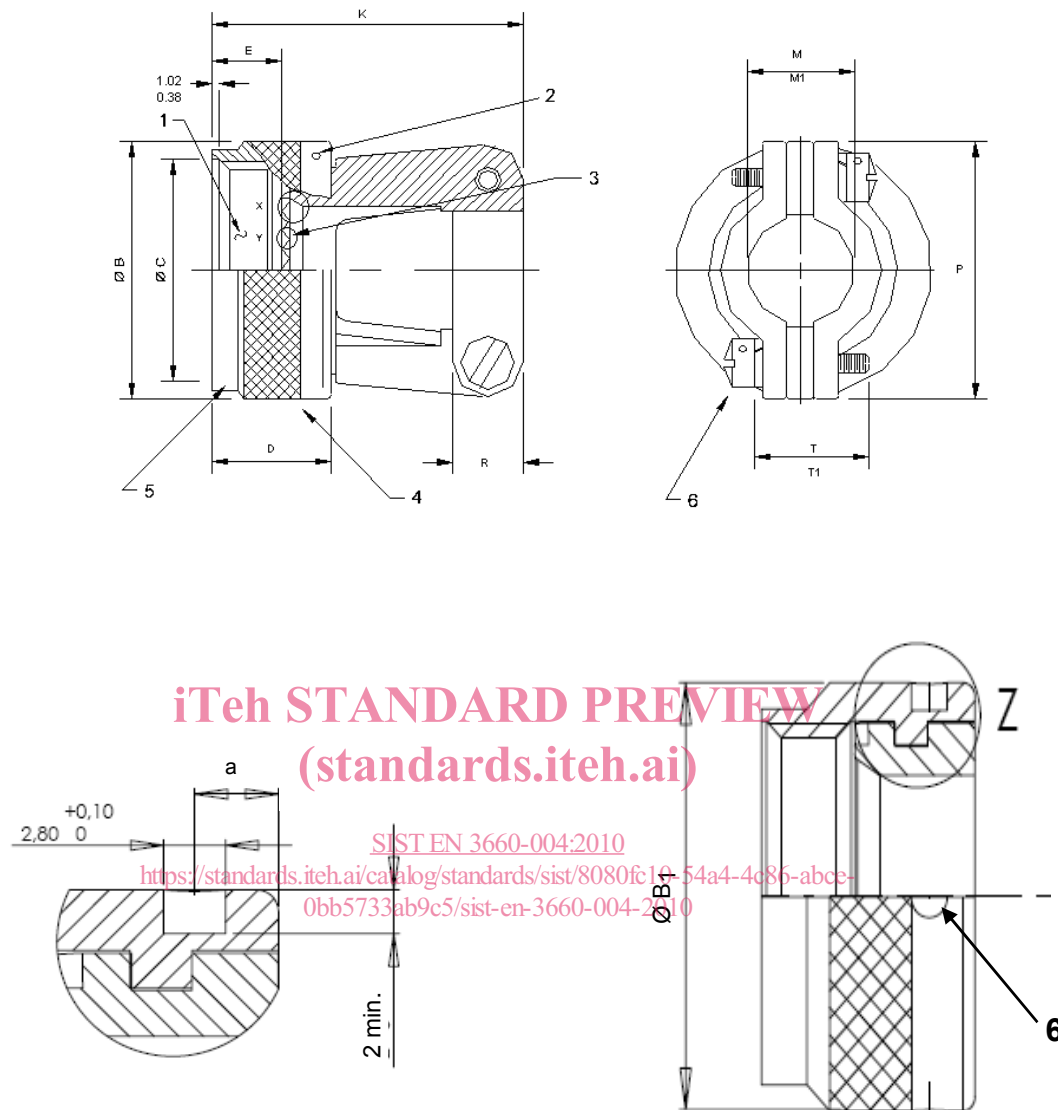
For dimensions and mass, see Figure 1 and Table 1.

For interface dimensions, see 4.2.

* As well as all parts quoted in this standard.

1) Published by: Society of Automotive Engineers, Inc. (SAE), 400 Commonwealth Drive, Warrendale, PA 15096-0001, USA.

Dimensions in millimetres



Detail Z

Optional design
with four holes for torque wrench, see detail Z.

Key

- 1 Thread A
 - 2 Three off wire lock holes equi-spaced for 0,8 mm max. diameter wire
 - 3 Teeth N (see Tables 2 and 3)
 - 4 Knurled, manufacturers option
 - 5 Marking (see Clause 6)
 - 6 Four blind holes for torque wrench equi-spaced $\varnothing 2,80^{+0,10}_0$ (see Figure 1, detail Z)
- ^a The location of blind holes axis can be left to the manufacturer's preference. Location of blind holes is not mandatory.

NOTE 1 The details X and Y are shown in the different variants (see 4.2.2 and 4.2.3).

NOTE 2 Coupling nut to be captive on cable outlet body but free to rotate.

Figure 1

EN 3660-004:2009 (E)

Table 1

Shell size	A Thread Class 2B inches	$\varnothing B$	$\varnothing B_1$	$\varnothing C$	D	E^a	K	M^b Wire accommodation	
		0 - 1,14 mm	0 - 1,14 mm	+ 0,64 0 mm	0 - 1,57 mm	0 - 0,56 mm	$\pm 1,57$ mm	max.	min.
08	0,500-20UNF	15,67	19,47	12,74	13,72	7,75	22,61	5,2	3,2
10	0,625-24UNEF	18,64	22,47	15,88	13,72	7,75	25,40	7,3	4,8
12	0,750-20UNEF	21,79	25,47	19,05	13,72	7,75	28,58	9,8	7,4
14	0,875-20UNEF	24,99	28,67	22,23	13,72	7,75	28,58	11,3	9,0
16	1,000-20UNEF	28,24	31,67	25,40	13,72	7,75	31,75	15,1	12,8
18	1,063-18UNEF	30,94	34,67	27,00	13,72	7,75	38,10	16,3	13,2
20	1,188-18UNEF	34,16	37,67	30,18	13,72	7,75	41,28	17,9	15,0
22	1,313-18UNEF	37,29	40,67	33,35	13,72	7,75	43,18	19,5	16,3
24	1,438-18UNEF	40,46	44,07	36,53	13,72	7,75	47,62	20,3	18,0
28	1,750-18UNS	50,01	50,97	44,45	17,83	7,75	55,55	20,7	19,0

Shell size	M_1^b Wire accommodation		P $\pm 0,5$ mm	R $\pm 0,5$ mm	Screw size Class 2A inches	T^b $\pm 0,8$ mm	T_1^b $\pm 0,8$ mm	Mass			
	max.	min.						Classes N, A and W max. g		Class K	
	mm	mm						1	2	1	2
08	5,2	3,2	18,6	6,35	6-32UNC	12,7	12,7	8,5	10,7	19,6	22,6
10	7,3	4,8	20,6	6,35	6-32UNC	12,7	12,7	10,0	13	21,2	27,8
12	10,6	7,4	24,6	6,35	6-32UNC	12,7	15,9	11,5	15,6	23,9	33,5
14	12,0	9,0	26,1	6,35	6-32UNC	12,7	15,9	14,0	17,9	27,6	40
16	16,0	12,8	33,0	6,35	6-32UNC	12,7	15,9	16,5	21,1	35,1	47,9
18	18,0	13,2	36,4	9,53	8-32UNC	15,9	19,1	24,0	29	45,0	62,5
20	21,0	15,0	39,0	9,53	8-32UNC	15,9	22,3	28,0	31	51,1	67,6
22	24,3	16,3	41,5	9,53	8-32UNC	15,9	25,4	30,5	33,7	55,7	74,5
24	27,5	18,0	44,6	9,53	8-32UNC	15,9	28,6	34,5	38,5	73,6	87,1
28	30,0	19,0	50,8	12,70	8-32UNC	19,5	31,8	55,5	57,5	89,8	155,6

^a E dimension is taken when the coupling nut is pulled in forward position.

^b M and T dimensions are for variants A and D; M_1 and T_1 dimensions are for variants B and C. M and M_1 diameters are wire bundle accommodation and are not meant to define the clamp hardware limits.

4.2 Interface dimensions

4.2.1 Associated connection

See EN 3660-002.

4.2.2 Variants A and C – AS85049 interface

See Figure 2, Figure 3 and Table 2.

Dimensions in millimetres

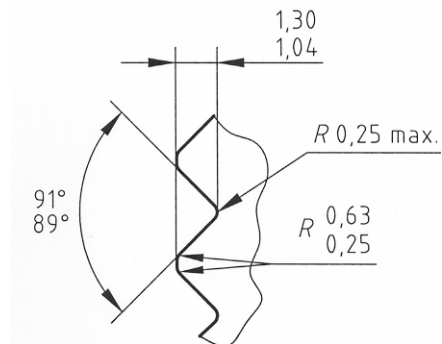
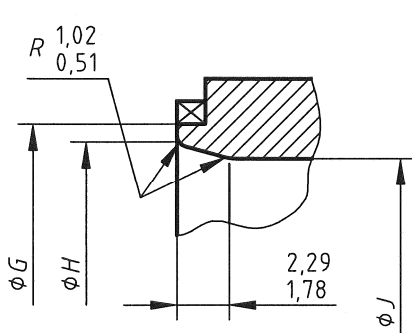


Figure 2 — Detail X Figure 3 — Detail Y

SIST EN 3660-004:2010
<https://standards.iteh.ai/catalog/standards/sist/8080fc10-54a4-4c86-abce-0bb5733ab9c5/sist-en-3660-004-2010>
 Table 2 Dimensions in millimetres

Shell size	ϕG 0 - 0,38	ϕH + 0,38 0	ϕJ 0 - 0,25	N Number of teeth
08	9,10	7,59	6,86	12
10	12,50	11,00	9,53	15
12	15,50	13,94	12,98	21
14	18,70	17,12	14,86	24
16	21,80	20,29	18,03	30
18	23,30	22,07	20,04	33
20	26,40	25,25	23,22	36
22	29,60	28,42	26,39	39
24	32,80	31,60	29,31	42
28	38,40	37,31	35,28	54