



SLOVENSKI STANDARD SIST EN 3660-036:2010

01-januar-2010

5 YfcbUj h_U!`8 cXUh_]nUc_fc[`Y]b'dfUj c_cfbYYY_f] bY]b'cdh] bY'_cbY_lcfY!
\$' * "XY.`8]ghUb b]_žhd'N!'GHUbXUfX'nUdfc]nj cX

Aerospace series - Cable outlet accessories for circular and rectangular electrical and optical connectors - Part 036: spacer pad for cable outlet, style Z - Product standard

Luft- und Raumfahrt - Endgehäuse für elektrische und optische Rund und Rechteck steckverbinder - Teil 036: Abstandshalter, Bauform Z - Produktnorm

Serie spatiale - Accessoires arriere pour connecteurs circulaires et rectangulaires electriques et optiques - Partie 036: Coussinet pour sortie de cable, type Z - Norme de produit

<https://standards.iteh.ai/catalog/standards/sist/f017d1bf-a02e-4b83-9adc-bd9fdaff85/sist-en-3660-036-2010>

Ta slovenski standard je istoveten z: EN 3660-036:2009

ICS:

49.060 Š^cp \ aš Ą^• [|b \ æ Aerospace electric
^|\ dā } a] !^ { aš Ą c { ã equipment and systems

SIST EN 3660-036:2010 en

iTeh STANDARD PREVIEW
(standards.iteh.ai)

SIST EN 3660-036:2010

<https://standards.iteh.ai/catalog/standards/sist/f017d1bf-a02e-4b83-9adc-bd9fdaff85/sist-en-3660-036-2010>

EUROPEAN STANDARD
NORME EUROPÉENNE
EUROPÄISCHE NORM

EN 3660-036

October 2009

ICS 49.060

English Version

Aerospace series - Cable outlet accessories for circular and rectangular electrical and optical connectors - Part 036: spacer pad for cable outlet, style Z - Product standard

Série aérospatiale - Accessoires arrière pour connecteurs circulaires et rectangulaires électriques et optiques - Partie 036: Coussinet pour sortie de câble, type Z - Norme de produit

Luft- und Raumfahrt - Endgehäuse für elektrische und optische Rund und Rechteck steckverbinder - Teil 036: Abstandshalter, Bauform Z - Produktnorm

This European Standard was approved by CEN on 27 June 2009.

CEN members are bound to comply with the CEN/CENELEC Internal Regulations which stipulate the conditions for giving this European Standard the status of a national standard without any alteration. Up-to-date lists and bibliographical references concerning such national standards may be obtained on application to the CEN Management Centre or to any CEN member.

This European Standard exists in three official versions (English, French, German). A version in any other language made by translation under the responsibility of a CEN member into its own language and notified to the CEN Management Centre has the same status as the official versions.

CEN members are the national standards bodies of Austria, Belgium, Bulgaria, Cyprus, Czech Republic, Denmark, Estonia, Finland, France, Germany, Greece, Hungary, Iceland, Ireland, Italy, Latvia, Lithuania, Luxembourg, Malta, Netherlands, Norway, Poland, Portugal, Romania, Slovakia, Slovenia, Spain, Sweden, Switzerland and United Kingdom.



EUROPEAN COMMITTEE FOR STANDARDIZATION
COMITÉ EUROPÉEN DE NORMALISATION
EUROPÄISCHES KOMITEE FÜR NORMUNG

Management Centre: Avenue Marnix 17, B-1000 Brussels

Contents

Page

Foreword.....	3
1 Scope	4
2 Normative references	4
3 Terms and definitions	4
4 Characteristics	4
5 Designation	5

iTeh STANDARD PREVIEW
(standards.iteh.ai)

SIST EN 3660-036:2010

<https://standards.iteh.ai/catalog/standards/sist/f017d1bf-a02e-4b83-9adc-bd9fdaff85/sist-en-3660-036-2010>

Foreword

This document (EN 3660-036:2009) has been prepared by the Aerospace and Defence Industries Association of Europe - Standardization (ASD-STAN).

After enquiries and votes carried out in accordance with the rules of this Association, this Standard has received the approval of the National Associations and the Official Services of the member countries of ASD, prior to its presentation to CEN.

This European Standard shall be given the status of a national standard, either by publication of an identical text or by endorsement, at the latest by April 2010, and conflicting national standards shall be withdrawn at the latest by April 2010.

Attention is drawn to the possibility that some of the elements of this document may be the subject of patent rights. CEN [and/or CENELEC] shall not be held responsible for identifying any or all such patent rights.

According to the CEN/CENELEC Internal Regulations, the national standards organizations of the following countries are bound to implement this European Standard: Austria, Belgium, Bulgaria, Cyprus, Czech Republic, Denmark, Estonia, Finland, France, Germany, Greece, Hungary, Iceland, Ireland, Italy, Latvia, Lithuania, Luxembourg, Malta, Netherlands, Norway, Poland, Portugal, Romania, Slovakia, Slovenia, Spain, Sweden, Switzerland and the United Kingdom.

ITEH STANDARD PREVIEW
(standards.iteh.ai)

[SIST EN 3660-036:2010](https://standards.iteh.ai/catalog/standards/sist/f017d1bf-a02e-4b83-9adc-bd9fdaff85/sist-en-3660-036-2010)

<https://standards.iteh.ai/catalog/standards/sist/f017d1bf-a02e-4b83-9adc-bd9fdaff85/sist-en-3660-036-2010>

EN 3660-036:2009 (E)

1 Scope

This product standard defines a spacer pad, style Z, for use under the following conditions:

Associated cable outlet(s) : EN 3660-002

Temperature range : - 65 °C to 200 °C

2 Normative references

The following referenced documents are indispensable for the application of this document. For dated references, only the edition cited applies. For undated references, the latest edition of the referenced document (including any amendments) applies.

EN 3660-001, *Aerospace series — Cable outlet accessories for circular and rectangular electrical and optical connectors — Part 001: Technical specification*

EN 3660-002, *Aerospace series — Cable outlet accessories for circular and rectangular electrical and optical connectors — Part 002: Index of product standards*

3 Terms and definitions

For the purposes of this document, the terms and definitions given in EN 3660-001 apply.

ITeH STANDARD PREVIEW
(standards.iteh.ai)

4 Characteristics

SIST EN 3660-036:2010

<https://standards.iteh.ai/catalog/standards/sist/f017d1bf-a02e-4b83-9adc-bd9fdaff85/sist-en-3660-036-2010>

4.1 Dimensions

For dimensions, see Figure 1.

All dimensions are in millimetres.

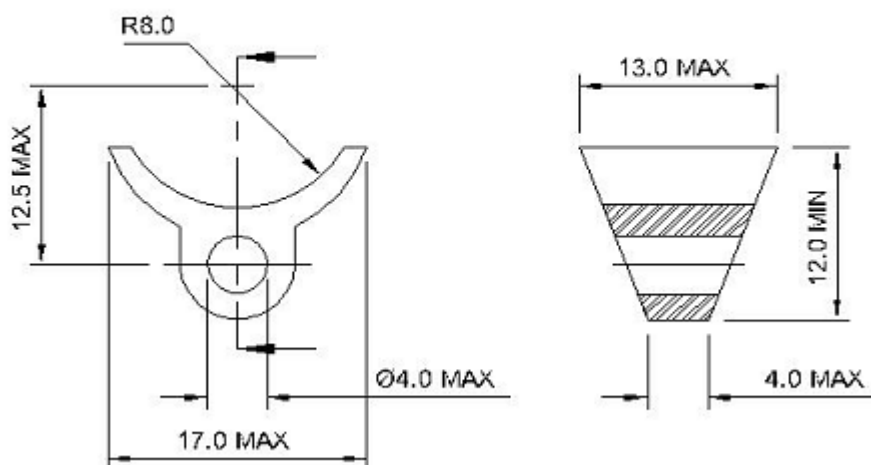


Figure 1

4.2 Material and mass

Material: Elastomer (code A)

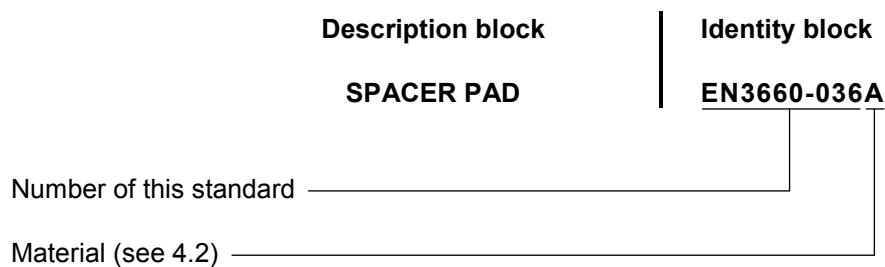
Mass: 0,65 g max.

4.3 Tests

Test and qualification are performed on appropriate cable outlet.

5 Designation

EXAMPLE 1



EXAMPLE 2

EN3660-036A

Spacer pad, elastomer

NOTE 1 No gaps are required between sections in the part number when printed.

NOTE 2 If necessary, the code I9005 may be placed between the description block and the identity block.

<https://standards.iteh.ai/catalog/standards/sist/f017d1bf-a02e-4b83-9adc-bd9fdaff85/sist-en-3660-036-2010>