



SLOVENSKI STANDARD SIST EN ISO 13918:1999

01-december-1999

Varjenje - Čepi in keramični obročki za obločno varjenje čepov (ISO 13918:1998)

Welding - Studs and ceramic ferrules for arc stud welding (ISO 13918:1998)

Schweißen - Bolzen und Keramikringe zum Lichtbogenbolzenschweißen (ISO 13918:1998)

Soudage - Goujons et bagues en céramique pour le soudage à l'arc des goujons (ISO 13918:1998)

ITeH STANDARD PREVIEW
(standards.iteh.ai)

Ta slovenski standard je istoveten z: **EN ISO 13918:1998**

SIST EN ISO 13918:1999
<https://standards.iteh.ai/catalog/standards/sist/87581b51-7c69-4721-8f91-fab0b0fe09f8/sist-en-iso-13918-1999>

ICS:

21.060.10	Sorniki, vijaki, stebelni vijaki	Bolts, screws, studs
25.160.10	Varilni postopki in varjenje	Welding processes

SIST EN ISO 13918:1999

en

iTeh STANDARD PREVIEW
(standards.iteh.ai)

SIST EN ISO 13918:1999

<https://standards.iteh.ai/catalog/standards/sist/8758fb51-7c69-4721-8f91-fab0b0fe09f8/sist-en-iso-13918-1999>

EUROPEAN STANDARD
NORME EUROPÉENNE
EUROPÄISCHE NORM

EN ISO 13918

October 1998

ICS 25.160.20

Descriptors: welding, arc welding, studs, bushings, ceramics, dimensions

English version

Welding - Studs and ceramic ferrules for arc stud welding (ISO 13918:1998)

Soudage - Goujons et bagues en céramique pour le soudage à l'arc des goujons (ISO 13918:1998)

Schweißen - Bolzen und Keramikringe zum Lichtbogenbolzenschweißen (ISO 13918:1998)

This European Standard was approved by CEN on 14 May 1998.

CEN members are bound to comply with the CEN/CENELEC Internal Regulations which stipulate the conditions for giving this European Standard the status of a national standard without any alteration. Up-to-date lists and bibliographical references concerning such national standards may be obtained on application to the Central Secretariat or to any CEN member.

This European Standard exists in three official versions (English, French, German). A version in any other language made by translation under the responsibility of a CEN member into its own language and notified to the Central Secretariat has the same status as the official versions.

CEN members are the national standards bodies of Austria, Belgium, Czech Republic, Denmark, Finland, France, Germany, Greece, Iceland, Ireland, Italy, Luxembourg, Netherlands, Norway, Portugal, Spain, Sweden, Switzerland and United Kingdom.

<https://standards.iteh.ai/catalog/standards/sist/8758fb51-7c69-4721-8f91-fab0b0fe09f8/sist-en-iso-13918-1999>



EUROPEAN COMMITTEE FOR STANDARDIZATION
COMITÉ EUROPÉEN DE NORMALISATION
EUROPÄISCHES KOMITEE FÜR NORMUNG

Central Secretariat: rue de Stassart, 36 B-1050 Brussels

Contents

	Page
Foreword	3
1 Scope	4
2 Normative references	4
3 Definitions	5
4 Dimensions and mass of studs	5
4.1 General	5
4.2 Threaded stud (PD)	5
4.3 Unthreaded stud (UD)	8
4.4 Shear connector (SD)	10
4.5 Threaded stud with flange (FD)	12
4.6 Threaded stud with reduced shaft (RD)	14
4.7 Threaded stud (PT)	16
4.8 Unthreaded stud (UT)	17
4.9 Stud with internal thread (IT)	18
5 Dimensions of ceramic ferrules	19
5.1 General	19
5.2 Ceramic ferrule for threaded stud (PF)	19
5.3 Ceramic ferrule for unthreaded stud and shear connector (UF)	19
5.4 Ceramic ferrule for threaded stud with reduced shaft (RF)	20
6 Material	21
7 Manufacture and finish	22
7.1 Threaded studs (PD), unthreaded studs (UD), threaded studs with reduced shaft (RD)	22
7.2 Shear connectors (SD)	22
7.3 Threaded studs with flange (FD), threaded studs (PT), unthreaded studs (UT), studs with internal thread (IT)	22
8 Marking	22
8.1 Studs	22
8.2 Ceramic ferrules	22
9 Designation	23
9.1 Studs	23
9.2 Ceramic ferrules	23

STANDARD PREVIEW
(standards.iteh.ai)

SIST EN ISO 13918:1999

[https://standards.iteh.ai/catalog/standards/sist/8758fb51-7c69-4721-8f91-](https://standards.iteh.ai/catalog/standards/sist/8758fb51-7c69-4721-8f91-fab0b0fe09f8/sist-en-iso-13918-1999)

fab0b0fe09f8/sist-en-iso-13918-1999



REPUBLIKA SLOVENIJA
 AGENCIJA REPUBLIKE SLOVENIJE
 ZA KVALITETO
 (Inštitut za kakovost in standardizacijo)
 AVDOLSKA
 1000 LJUBLJANA, SLOVENIJA
 TEL: +386 (0)1 4784 200
 WWW.KVALITA.SI



Foreword

The text of prEN ISO 13918:1998 has been prepared by Technical Committee CEN/TC 121 "Welding", the secretariat of which is held by DS, in collaboration with Technical Committee ISO/TC 44 "Welding and allied processes".

This European Standard has been prepared under a mandate given to CEN by the European Commission and the European Free Trade Association. This European Standard is considered to be a supporting standard to those application and product standards which in themselves support an essential safety requirement of a New Approach Directive and which make reference to this European Standard.

This European Standard shall be given the status of a national standard, either by publication of an identical text or by endorsement, at the latest by April 1999, and conflicting national standards shall be withdrawn at the latest by April 1999.

According to the CEN/CENELEC Internal Regulations, the national standards organizations of the following countries are bound to implement this European Standard: Austria, Belgium, Czech Republic, Denmark, Finland, France, Germany, Greece, Iceland, Ireland, Italy, Luxembourg, Netherlands, Norway, Portugal, Spain, Sweden, Switzerland and the United Kingdom.

iTeh STANDARD PREVIEW
(standards.iteh.ai)

[SIST EN ISO 13918:1999](#)

<https://standards.iteh.ai/catalog/standards/sist/8758fb51-7c69-4721-8f91-fab0b0fe09f8/sist-en-iso-13918-1999>

1 Scope

This standard includes the most important dimensions of studs and ceramic ferrules for arc stud welding. The range of types of studs specified in this standard accounts for customary applications. Further types may be specified as required for special application. This standard can be used in all fields of the metal-working industry.

Table 1 shows types of studs and the symbols for studs and ceramic ferrules, which are used in this standard.

Table 1: Type of studs and symbols for studs and ceramic ferrules

Type of studs		Symbols for studs	Symbols for ceramic ferrules	
drawn arc	drawn arc stud	threaded stud (pitch)	PD	PF
	welding with	threaded stud with reduced shaft	RD	RF
	ceramic ferrule or	unthreaded stud	UD	UF
	shielding gas	shear connector	SD	UF
	short-cycle drawn arc stud welding	threaded stud with flange	FD	–
tip ignition	threaded stud (pitch)	PT	–	
	unthreaded stud	UT	–	
	stud with internal thread	IT	–	

2 Normative references

This European Standard incorporates by dated or undated reference, provisions from other publications. These normative references are cited at the appropriate places in the text and the publications are listed hereafter. For dated references, subsequent amendments to or revisions of any of these publications apply to this European Standard only when incorporated in it by amendment or revision. For undated references the latest edition of the publication referred to applies.

EN 573-3

Aluminium and aluminium alloys – Chemical compositions and forms of wrought products – Part 3: Chemical composition

EN 10025

Hot rolled products of non-alloy structural steels – Technical delivery conditions

EN 10088-1

Stainless steels – Part 1: List of stainless steels

EN 20898-1

Mechanical properties of fasteners – Part 1: Bolts, screws and studs (ISO 898-1:1988)

EN ISO 6947

Welds – Working positions – Definitions of angles of slope and rotation (ISO 6947:1993)

prEN ISO 14555

Welding – Arc stud welding of metallic materials (ISO/FDIS 14555:1998)

ISO 426-1

Wrought copper-zinc alloys – Chemical composition and forms of wrought products – Part 1: Non-lead and special copper-zinc alloys

ISO 724

ISO general-purpose metric screw threads – Basic dimensions

ISO 1638

Wrought copper and copper alloy wire – Technical conditions of delivery

EN ISO 3506-3

Mechanical properties of corrosion-resistant stainless-steel fasteners - Part 3: Set screws and similar fasteners not under tensile stress (ISO 3506-3:1997)

ISO 4042

Threaded components - Electroplated coatings

ISO 4759-1

Tolerances for fasteners - Part 1: Bolts, screws and nuts with thread diameters between 1,6 (inclusive) and 150 mm (inclusive) and product grades A, B and C

3 Definitions

For the purposes of this standard, the definitions listed in prEN ISO 14555 apply.

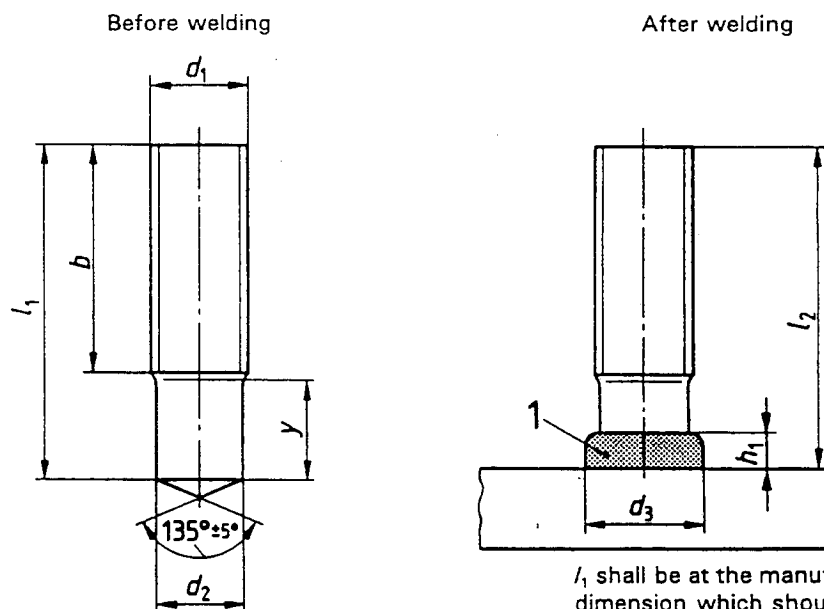
4 Dimensions and mass for studs

4.1 General

Dimensions are given in millimetres. Details left unspecified are at the manufacturer's discretion. Nominal dimensions are listed in the following tables.

The dimensions of stud collars shown in figures 1, 2, 3 and 5 may be generally achieved in welding position PA according to EN ISO 6947.

4.2 Threaded stud (PD)



Key: 1 = weld collar

l_1 shall be at the manufacturer's discretion. It is a dimension which should not be controlled by the user.

Shank diameter $d_2 \approx$ pitch diameter in accordance with ISO 724.

Figure 1: Threaded stud (PD)

Table 2: Dimensions and mass of threaded studs (PD)

d_1	M6		M8		M10			M12			M16			M20			M24		
	d_2	$d_3^{1/1}$	$h_1^{1/1}$	Y_{min}	b	$m^{3/1}$	Y_{min}	b	$m^{3/1}$	Y_{min}	b	$m^{3/1}$	Y_{min}	b	$m^{3/1}$	Y_{min}	b	$m^{3/1}$	
15	5,35	8,5	3,5	9	—	—	—	—	—	—	—	—	—	—	—	—	—	—	
20	7,19	10	3,5	9	9,5	9,5	9,5	9,5	9,5	9,5	9,5	9,5	9,5	9,5	9,5	9,5	9,5	9,5	
25	—	—	—	9	6,4	8,0	9,5	9,5	9,5	9,5	9,5	9,5	9,5	9,5	9,5	9,5	9,5	9,5	
30	—	—	—	9	8,0	9,6	9,5	9,5	9,5	9,5	9,5	9,5	9,5	9,5	9,5	9,5	9,5	9,5	
35	—	—	—	9	11,1	12,7	9,5	9,5	9,5	9,5	9,5	9,5	9,5	9,5	9,5	9,5	9,5	9,5	
40	—	—	—	9	14,3	15,9	9,5	9,5	9,5	9,5	9,5	9,5	9,5	9,5	9,5	9,5	9,5	9,5	
45	—	—	—	9	17,6	19,2	9,5	9,5	9,5	9,5	9,5	9,5	9,5	9,5	9,5	9,5	9,5	9,5	
50	—	—	—	—	20,1	21,7	9,5	9,5	9,5	9,5	9,5	9,5	9,5	9,5	9,5	9,5	9,5	9,5	
55	—	—	—	—	22,6	24,2	9,5	9,5	9,5	9,5	9,5	9,5	9,5	9,5	9,5	9,5	9,5	9,5	
60	—	—	—	—	25,1	26,7	9,5	9,5	9,5	9,5	9,5	9,5	9,5	9,5	9,5	9,5	9,5	9,5	
65	—	—	—	—	27,6	29,2	9,5	9,5	9,5	9,5	9,5	9,5	9,5	9,5	9,5	9,5	9,5	9,5	

(continued)

Table 2 (concluded)

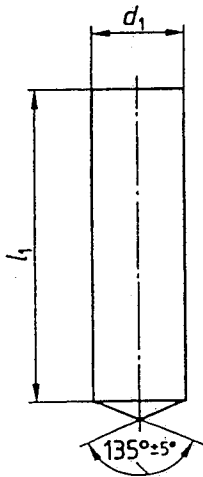
d_1	M6			M8			M10			M12			M16			M20			M24					
	d_2	$d_3^{1)}$	$h_1^{1)}$	d_2	$d_3^{1)}$	$h_1^{1)}$	d_2	$d_3^{1)}$	$h_1^{1)}$	d_2	$d_3^{1)}$	$h_1^{1)}$	d_2	$d_3^{1)}$	$h_1^{1)}$	d_2	$d_3^{1)}$	$h_1^{1)}$	d_2	$d_3^{1)}$	$h_1^{1)}$			
5,35	7,19	10	3,5	9,03	12,5	4	10,86	14,7	18,38	22,05	14,7	18,38	22,05	14,7	18,38	22,05	14,7	18,38	22,05	14,7	18,38	22,05		
8,5	10	3,5	4,5	15,5	19,5	6	19,5	24,5	30	19,5	24,5	30	19,5	24,5	30	19,5	24,5	30	19,5	24,5	30	19,5	24,5	30
3,5	3,5	4	4,5	4	4	4	4,5	4,5	4,5	4,5	4,5	4,5	4,5	4,5	4,5	4,5	4,5	4,5	4,5	4,5	4,5	4,5	4,5	4,5
$l_2^{2)}$	Y_{\min}	b	$m^{3)}$	Y_{\min}	b	$m^{3)}$	Y_{\min}	b	$m^{3)}$	Y_{\min}	b	$m^{3)}$	Y_{\min}	b	$m^{3)}$	Y_{\min}	b	$m^{3)}$	Y_{\min}	b	$m^{3)}$	Y_{\min}	b	$m^{3)}$
70	—	—	—	—	—	—	—	—	—	—	—	—	—	—	—	—	—	—	—	—	—	—	—	—
75	—	—	—	—	—	—	—	—	—	—	—	—	—	—	—	—	—	—	—	—	—	—	—	—
100	—	—	—	40	50,2	—	40	72,7	—	40	133,2	—	40	145,7	—	40	224,7	—	40	299,6	—	40	—	—
140	—	—	—	80	70,3	—	80	101,7	—	80	186,4	—	80	—	—	80	—	—	80	—	—	—	—	—
150	—	—	—	80	75,4	—	80	109,0	—	80	199,7	—	80	—	—	80	—	—	80	—	—	—	—	—
160	—	—	—	80	80,4	—	80	116,3	—	80	213,1	—	80	—	—	80	—	—	80	—	—	—	—	—

1) Guide values.

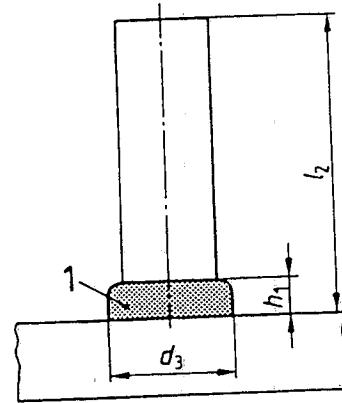
2) l_2 is the design value. By proper control of the welding it is possible to keep variations in l_2 within $\pm 0,5$ mm.3) Due to the tolerances, the values of mass m are only approximate (7,85 kg/dm³) per 1000 units, in kg.

4.3 Unthreaded stud (UD)

Before welding



After welding



Key: 1 = weld collar

iTeh STANDARD PREVIEW
(standards.iteh.ai)

l_1 shall be at the manufacturer's discretion. It is a dimension which should not be controlled by the user.

Shank diameter $d_2 \approx$ pitch diameter in accordance with ISO 724.

SIST EN ISO 13918:1999

<https://standards.iteh.ai/catalog/standards/sist/8758fb51-7c69-4721-8f91-fab0b0fe09f8/sist-en-iso-13918-1999>

Figure 2: Unthreaded stud (UD)

Table 3: Dimensions and mass of unthreaded studs (UD)

d_1	6	8	10	12	16
$d_3^{1)}$	8,5	11	13	16	21
$h_1^{1)}$	4	4	4	5	7
$l_2^{2)}$	Approximate mass $m^{3)}$ (7,85 kg/dm ³) per 1000 units, in kg				
20	4,7	8,2	13,1	20,2	—
25	5,7	10,7	16	23	45,9
30	6,7	12,7	19,4	27,7	49,8
40	8,8	16,7	25,6	36,7	66
50	10,9	20,5	32	45,8	81,7
60			37,9	54,4	97,2
70			44	63	113,3
80			51,5	71,9	129,3
<p>1) Guide values.</p> <p>2) l_2 is the design value. By proper control of the welding it is possible to keep variations in l_2 within $\pm 0,5$ mm.</p> <p>3) Due to the tolerances, the values of mass are only approximate.</p>					