
Cevni sistemi iz polimernih materialov - Sistemi v stavbah - Vgradnja in pritrdjevanje sestavnih delov preskusne naprave za toplotno delovanje z enim samim gorečim predmetom

Plastics piping systems - Systems within the building structure - Mounting and fixing of components in the test apparatus to thermal attack by a single burning item

Kunststoff-Rohrleitungssysteme - Systeme innerhalb der Gebäudestruktur - Montage und Befestigung von Bauteilen im Prüfgerät für thermische Beanspruchung durch einen einzelnen brennenden Gegenstand

Systèmes de canalisations en plastique - Systèmes à l'intérieur de la structure des bâtiments - Montage et fixation des composants dans l'appareillage d'essai à une sollicitation thermique provoquée par un objet isolé en feu

Ta slovenski standard je istoveten z: EN 16000:2010

ICS:

13.220.50	Požarna odpornost gradbenih materialov in elementov	Fire-resistance of building materials and elements
23.040.20	Cevi iz polimernih materialov	Plastics pipes

SIST EN 16000:2010**en,fr,de**

iTeh STANDARD PREVIEW
(standards.iteh.ai)

SIST EN 16000:2010

<https://standards.iteh.ai/catalog/standards/sist/45d987bf-5f02-4e01-a737-206765f98e8b/sist-en-16000-2010>

EUROPEAN STANDARD

EN 16000

NORME EUROPÉENNE

EUROPÄISCHE NORM

May 2010

ICS 13.220.50; 23.040.20

English Version

Plastics piping systems - Systems within the building structure -
Mounting and fixing of components in the test apparatus to
thermal attack by a single burning item

Systèmes de canalisations en plastique - Systèmes à l'intérieur de la structure des bâtiments - Montage et fixation des composants dans l'appareillage d'essai à une sollicitation thermique provoquée par un objet isolé en feu

Kunststoff-Rohrleitungssysteme - Systeme innerhalb der Gebäudestruktur - Montage und Befestigung von Bauteilen im Prüfgerät für thermische Beanspruchung durch einen einzelnen brennenden Gegenstand

This European Standard was approved by CEN on 23 April 2010.

CEN members are bound to comply with the CEN/CENELEC Internal Regulations which stipulate the conditions for giving this European Standard the status of a national standard without any alteration. Up-to-date lists and bibliographical references concerning such national standards may be obtained on application to the CEN Management Centre or to any CEN member.

This European Standard exists in three official versions (English, French, German). A version in any other language made by translation under the responsibility of a CEN member into its own language and notified to the CEN Management Centre has the same status as the official versions.

CEN members are the national standards bodies of Austria, Belgium, Bulgaria, Croatia, Cyprus, Czech Republic, Denmark, Estonia, Finland, France, Germany, Greece, Hungary, Iceland, Ireland, Italy, Latvia, Lithuania, Luxembourg, Malta, Netherlands, Norway, Poland, Portugal, Romania, Slovakia, Slovenia, Spain, Sweden, Switzerland and United Kingdom.



EUROPEAN COMMITTEE FOR STANDARDIZATION
COMITÉ EUROPÉEN DE NORMALISATION
EUROPÄISCHES KOMITEE FÜR NORMUNG

Management Centre: Avenue Marnix 17, B-1000 Brussels

Contents	Page
Foreword.....	3
1 Scope.....	4
2 Normative references	4
3 Mounting and fixing of components	4

iTeh STANDARD PREVIEW
(standards.iteh.ai)

SIST EN 16000:2010
<https://standards.iteh.ai/catalog/standards/sist/45d987bf-5f02-4e01-a737-206765f98e8b/sist-en-16000-2010>

Foreword

This document (EN 16000:2010) has been prepared by Technical Committee CEN/TC 155 “Plastics piping systems and ducting systems”, the secretariat of which is held by NEN.

This European Standard shall be given the status of a national standard, either by publication of an identical text or by endorsement, at the latest by November 2010, and conflicting national standards shall be withdrawn at the latest by November 2010.

Attention is drawn to the possibility that some of the elements of this document may be the subject of patent rights. CEN [and/or CENELEC] shall not be held responsible for identifying any or all such patent rights.

According to the CEN/CENELEC Internal Regulations, the national standards organizations of the following countries are bound to implement this European Standard: Austria, Belgium, Bulgaria, Croatia, Cyprus, Czech Republic, Denmark, Estonia, Finland, France, Germany, Greece, Hungary, Iceland, Ireland, Italy, Latvia, Lithuania, Luxembourg, Malta, Netherlands, Norway, Poland, Portugal, Romania, Slovakia, Slovenia, Spain, Sweden, Switzerland and the United Kingdom.

iTeh STANDARD PREVIEW (standards.iteh.ai)

[SIST EN 16000:2010](https://standards.iteh.ai/catalog/standards/sist/45d987bf-5f02-4e01-a737-206765f98e8b/sist-en-16000-2010)

<https://standards.iteh.ai/catalog/standards/sist/45d987bf-5f02-4e01-a737-206765f98e8b/sist-en-16000-2010>

EN 16000:2010 (E)**1 Scope**

This European Standard specifies the mounting and fixing of components in the test apparatus to thermal attack by a single burning item (SBI) according to EN 13823.

This document is applicable to non-pressure plastics pipes, fittings and their joints intended for soil and waste applications:

- inside the building (application area code "B");
- buried in ground within the building structure (application area code "BD") and with a diameter greater than or equal to 75 mm.

It is also applicable to pressure plastics pipes, fittings and their joints within the building structure:

- intended for water for general purposes, drainage, sewerage, as well as for any other pressure application with other fluids covered by the Construction Products Directive;
- hot and cold water installations for the conveyance of water and for heating systems.

2 Normative references

The following referenced documents are indispensable for the application of this document. For dated references, only the edition cited applies. For undated references, the latest edition of the referenced document (including any amendments) applies.

EN 13823:2002, *Reaction to fire tests for building products — Building products excluding floorings exposed to the thermal attack by a single burning item*

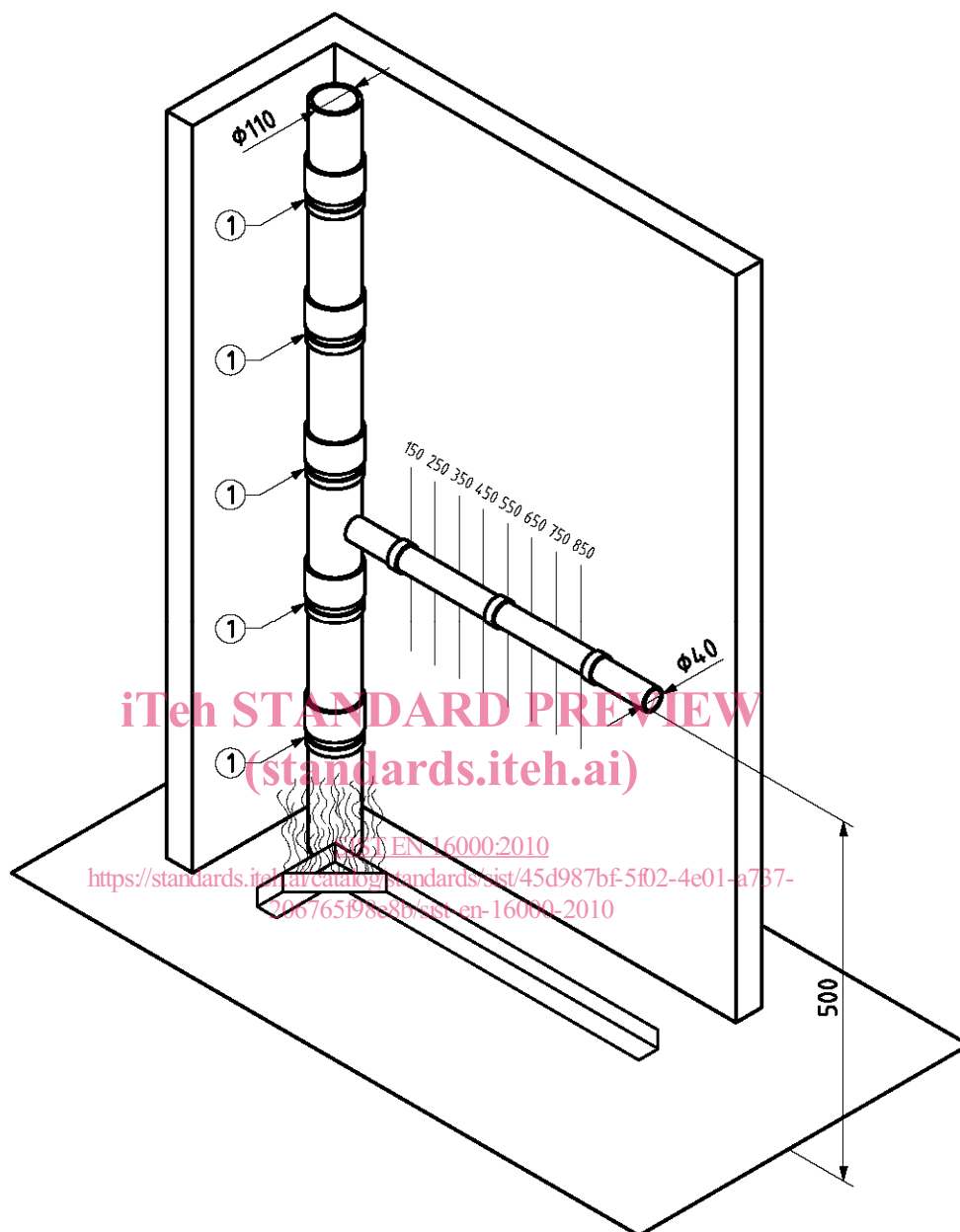
3 Mounting and fixing of components

Mounting and fixing of components in the test apparatus according to EN 13823:2002 shall conform to Figure 1 and Figure 2.

If no pipes are available, testing of fittings may be done in form of a linear assembly, e.g. couplers.

NOTE In case where e.g. the given dimensions do not exist the choice of dimensions and the mounting and fixing should be agreed between the manufacturer and the laboratory.

Dimensions in millimetres

**Key**

- 1 Metallic bracket under socket

Figure 1 — Mounting and fixing of components

Dimensions in millimetres

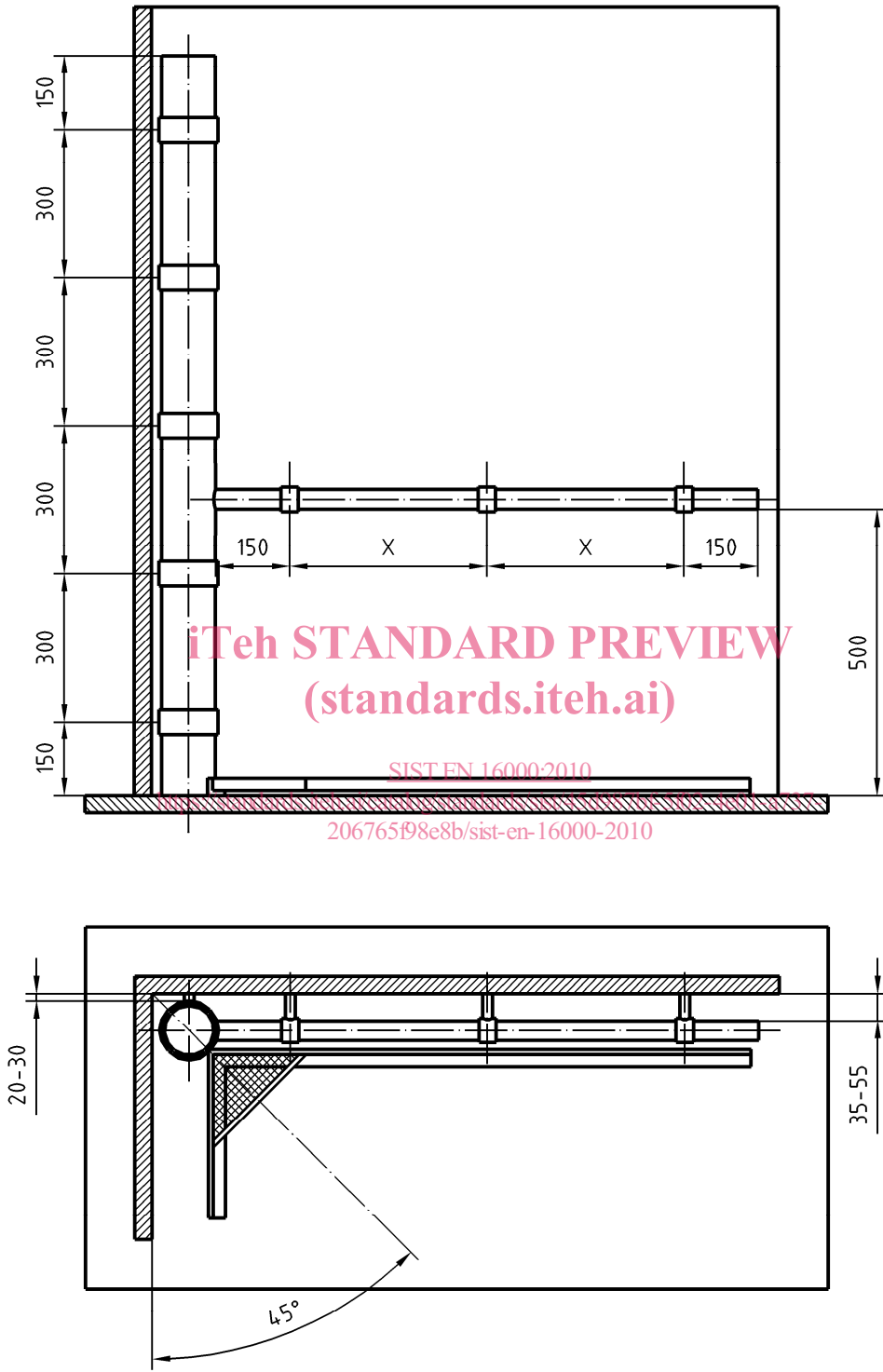


Figure 2 — Details of mounting and fixing of components