



**SLOVENSKI STANDARD**  
**SIST EN 12003:2009/AC:2009**  
**01-julij-2009**

---

**Lepila za ploščice - Ugotavljanje strižne adhezijske trdnosti reakcijskih smolnih lepil**

Adhesive for tiles - Determination of shear adhesion strength of reaction resin adhesives

Mörtel und Klebstoffe für Fliesen und Platten - Bestimmung der Scherfestigkeiten von Reaktionsharz-Klebstoffen

Colles à carrelage - Détermination de l'adhérence par cisaillement des colles réactives

**iTeh STANDARD PREVIEW**  
(standards.iteh.ai)

**Ta slovenski standard je istoveten z: EN 12003:2008/AC:2009**

SIST EN 12003:2009/AC:2009  
<https://standards.iteh.ai/catalog/standards/sist/298171d9-171a-4a95-8186-477369eda679/sist-en-12003-2009-ac-2009>

---

**ICS:**

83.180	Lepila	Adhesives
91.100.23	Keramične ploščice	Ceramic tiles

**SIST EN 12003:2009/AC:2009**                      **en,fr,de**

**iTeh STANDARD PREVIEW**  
**(standards.iteh.ai)**

SIST EN 12003:2009/AC:2009

<https://standards.iteh.ai/catalog/standards/sist/298171d9-f7fa-4a93-8f86-477369eda679/sist-en-12003-2009-ac-2009>

EUROPEAN STANDARD

**EN 12003:2008/AC**

NORME EUROPÉENNE

April 2009

EUROPÄISCHE NORM

Avril 2009

April 2009

ICS 91.100.10

English version  
Version Française  
Deutsche FassungAdhesive for tiles - Determination of shear adhesion strength of reaction  
resin adhesivesColles à carrelage - Détermination de  
l'adhérence par cisaillement des colles  
réactivesMörtel und Klebstoffe für Fliesen und  
Platten - Bestimmung der Scherfestigkeiten  
von Reaktionsharz-Klebstoffen

This corrigendum becomes effective on 29 April 2009 for incorporation in the three official language versions of the EN.

Ce corrigendum prendra effet le 29 avril 2009 pour incorporation dans les trois versions linguistiques officielles de la EN.

**(standards.iteh.ai)**

Die Berichtigung tritt am 29. April 2009 zur Einarbeitung in die drei offiziellen Sprachfassungen der EN in Kraft.

[SIST EN 12003:2009/AC:2009](https://standards.iteh.ai/catalog/standards/sist/298171d9-f7fa-4a93-8f86-477369eda679/sist-en-12003-2009-ac-2009)

<https://standards.iteh.ai/catalog/standards/sist/298171d9-f7fa-4a93-8f86-477369eda679/sist-en-12003-2009-ac-2009>

EUROPEAN COMMITTEE FOR STANDARDIZATION  
COMITÉ EUROPÉEN DE NORMALISATION  
EUROPÄISCHES KOMITEE FÜR NORMUNG**Management Centre: Avenue Marnix 17, B-1000 Brussels**

© 2009 CEN All rights of exploitation in any form and by any means reserved worldwide for CEN national Members.  
Tous droits d'exploitation sous quelque forme et de quelque manière que ce soit réservés dans le monde entier aux membres nationaux du CEN.  
Alle Rechte der Verwertung, gleich in welcher Form und in welchem Verfahren, sind weltweit den nationalen Mitgliedern von CEN vorbehalten.

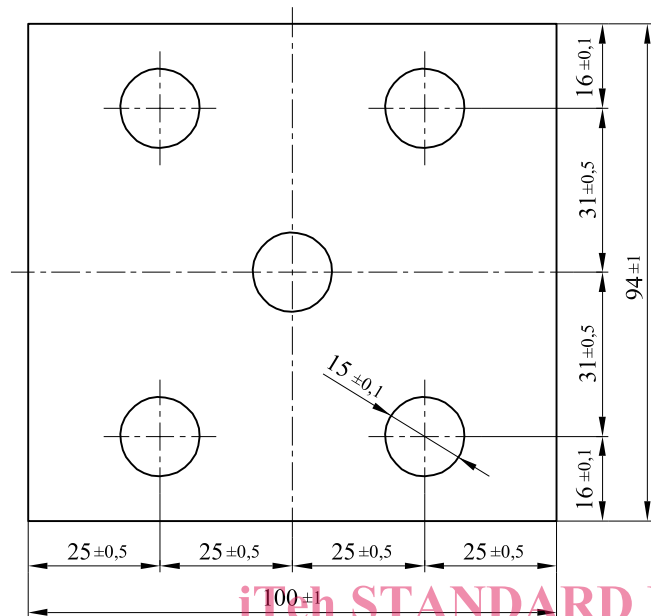
Ref. No.: EN 12003:2008/AC:2009 D/E/F

## EN 12003:2008/AC:2009 (E)

## 1) Modifications to 6.1

Replace "Figure 1" with the following figure (with its current filename extension):

"



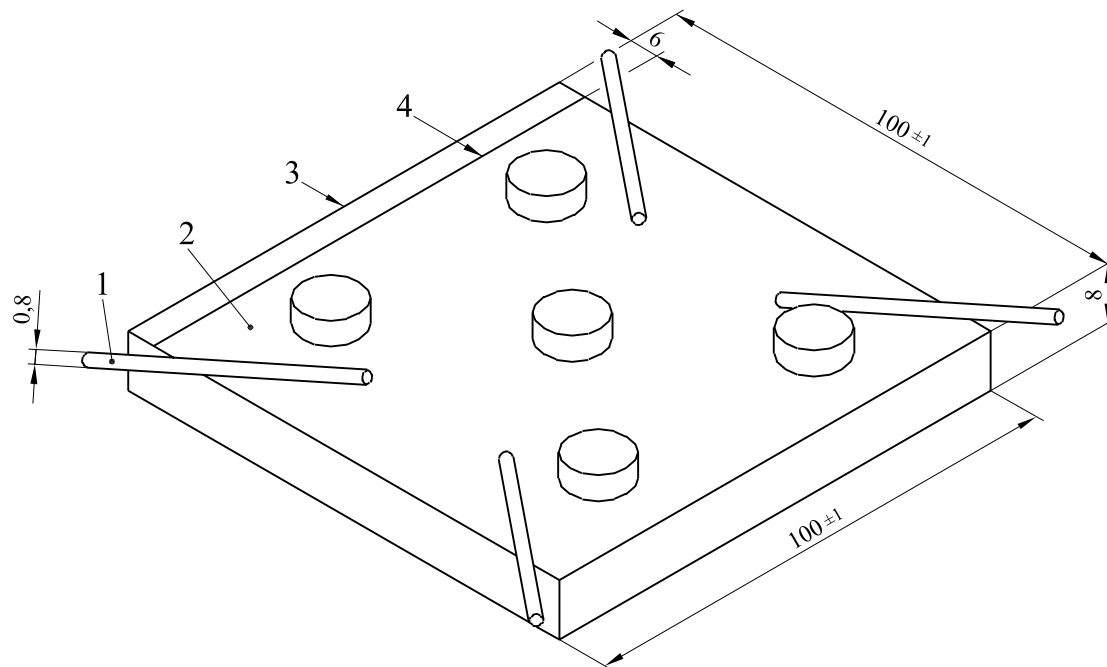
STANDARD PREVIEW  
(standards.iteh.ai)

"

Replace "Figure 2" with the following figure (with its current filename extension):

<https://standards.iteh.ai/catalog/standards/sist/298171d9-f7fa-4a93-8f86-477369eda679/sist-en-12003-2009-ac-2009>

"

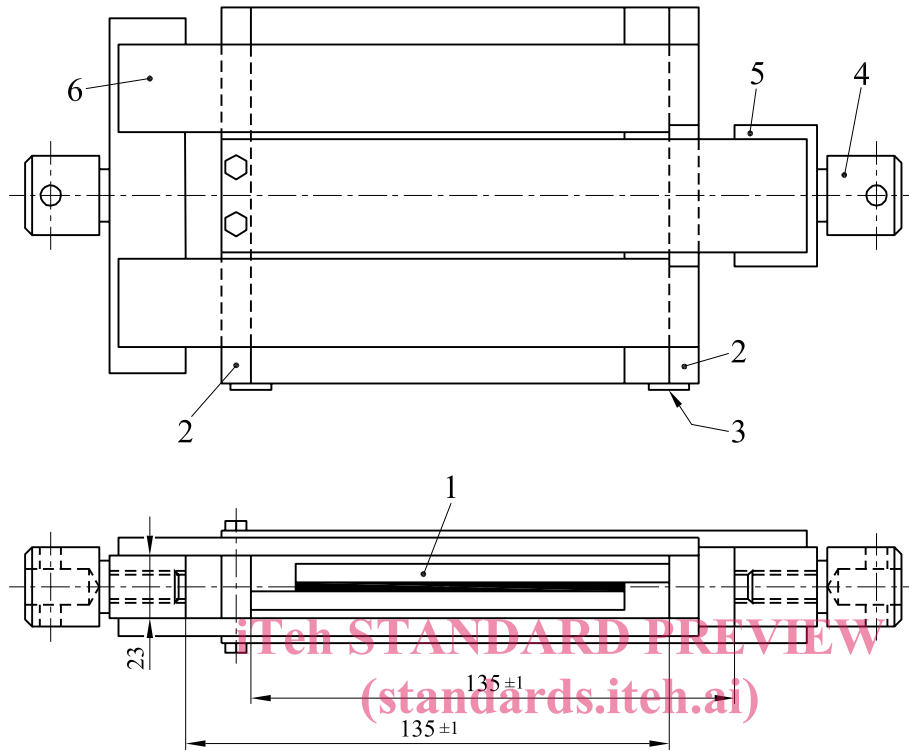


"

## 2) Modifications to 6.5

Replace "Figure 3" with the following figure (with its current filename extension):

"



SIST EN 12003:2009/AC:2009

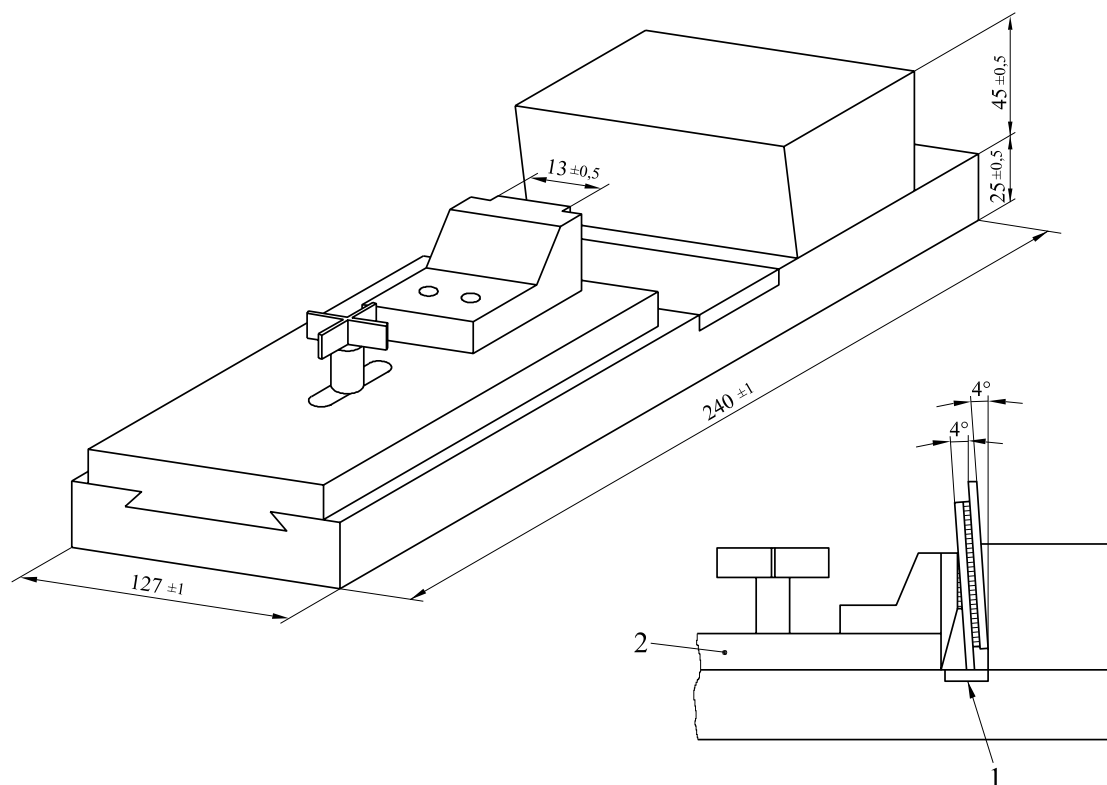
"

<https://standards.itech.ai/catalog/standards/sist/298171d9-f7fa-4a93-8f86-477369eda679/sist-en-12003-2009-ac-2009>

Replace "Figure 4" with the following figure (with its current filename extension):

"

EN 12003:2008/AC:2009 (E)



..

**iTeh STANDARD PREVIEW**  
**(standards.iteh.ai)**

SIST EN 12003:2009/AC:2009

<https://standards.iteh.ai/catalog/standards/sist/298171d9-f7fa-4a93-8f86-477369eda679/sist-en-12003-2009-ac-2009>