



Designation: D 4644 – 04

## Standard Test Method for Slake Durability of Shales and Similar Weak Rocks<sup>1</sup>

This standard is issued under the fixed designation D 4644; the number immediately following the designation indicates the year of original adoption or, in the case of revision, the year of last revision. A number in parentheses indicates the year of last reappraisal. A superscript epsilon ( $\epsilon$ ) indicates an editorial change since the last revision or reappraisal.

### 1. Scope\*

1.1 This test method covers the determination of the slake durability index of a shale or other similar rock after two drying and wetting cycles with abrasion.

1.2 All observed and calculated values shall conform to the guidelines for significant digits and rounding established in Practice D 6026.

1.2.1 The method used to specify how data are collected, calculated, or recorded in this standard is not directly related to the accuracy to which the data can be applied in design or other uses, or both. How one applies the results obtained using this standard is beyond its scope.

1.3 The values stated in SI units are to be regarded as the standard. The values given in parentheses are provided for information only.

1.4 *This standard does not purport to address all of the safety concerns, if any, associated with its use. It is the responsibility of the user of this standard to establish appropriate safety and health practices and determine the applicability of regulatory limitations prior to use.*

### 2. Referenced Documents

#### 2.1 ASTM Standards:<sup>2</sup>

- D 653 Terminology Relating to Soil, Rock, and Contained Fluids
- D 2113 Practice for Diamond Core Drilling for Site Investigation
- D 2216 Test Method for Laboratory Determination of Water (Moisture) Content of Rock and Soil
- D 3740 Practice for Minimum Requirements for Agencies Engaged in Testing and/or Inspection of Soil and Rock as Used in Engineering Design and Construction
- D 5079 Practices for Preserving and Transporting Rock Core Samples
- D 6026 Practice for Using Significant Digits in Geotechnical Data

<sup>1</sup> This test method is under the jurisdiction of ASTM Committee D18 on Soil and Rock and is the direct responsibility of Subcommittee D18.12 on Rock Mechanics.

Current edition approved Feb. 1, 2004. Published February 2004. Originally approved in 1987. Last previous edition approved in 1998 as D 4644 – 87 (1998).

<sup>2</sup> For referenced ASTM standards, visit the ASTM website, www.astm.org, or contact ASTM Customer Service at service@astm.org. For Annual Book of ASTM Standards volume information, refer to the standard's Document Summary page on the ASTM website.

E 11 Specification for Wire Cloth and Sieves for Testing Purposes

### 3. Terminology

3.1 For terminology used in this test method, refer to Terminology D 653

#### 3.2 Definitions of Terms Specific to This Standard:

3.2.1 *slake durability index*—the percentage by dry mass retained of a collection of shale pieces on a 2.00 mm (No. 10) sieve after two cycles of oven drying and 10 min of soaking in water with a standard tumbling and abrasion action.

### 4. Significance and Use

4.1 The test method is used to estimate qualitatively the durability of weak rocks in the service environment.(1-7)<sup>3</sup>.

4.2 This test method is used to assign quantitative durability values to weak rocks. A primary example is the Franklin Rating System (1).

NOTE 1—The quality of the result produced by this standard is dependent on the competence of the personnel performing it, and the suitability of the equipment and facilities used. Agencies that meet the criteria of Practice D 3740 are generally considered capable of competent and objective testing, sampling, inspection, and so forth. Users of this standard are cautioned that compliance with Practice D 3740 does not in itself assure reliable results. Reliable results depend on many factors; Practice D 3740 provides a means of evaluating some of those factors.

### 5. Apparatus

5.1 *Slake Durability Device*—The drum (Fig. 1) shall be made of 2.00 mm (No. 10) square-mesh, woven-wire cloth, conforming to the requirements of Specification E 11. It shall be cylindrical in shape, with a diameter of 140 mm (5.5 in.) and a length of 100 mm (3.9 in.). The ends shall be rigid plates, with one removable end. It must be sufficiently strong to retain its shape during use, but neither the exterior of the mesh nor the interior of the drum shall be obstructed by a support. The drum shall be able to withstand a temperature of  $110 \pm 5^\circ\text{C}$  ( $230 \pm 9^\circ\text{F}$ ). A trough shall support the drum in a horizontal manner such that the drum is free to rotate about its axis. The trough shall be capable of being filled with slaking fluid to 20 mm (0.8 in.) below the drum axis, and shall allow at least 40 mm (1.6 in.) unobstructed clearance between the trough and the bottom

<sup>3</sup> The boldface numbers in parentheses refer to the list of references at the end of this standard.

\*A Summary of Changes section appears at the end of this standard.

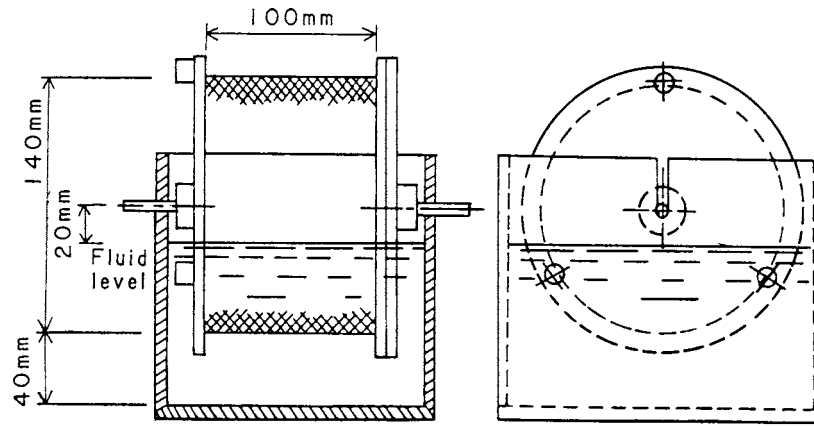


FIG. 1 Critical Dimensions of Slake Durability Device Showing Critical Dimensions

of the mesh. The drum shall be rotated by a motor capable of maintaining a speed of 20 rpm, constant to within 5 %, for a period of 10 min. Devices conforming to these requirements are commercially available.

5.2 *Drying Oven*, thermostatically controlled, capable of maintaining a temperature of  $110 \pm 5^\circ\text{C}$  ( $230 \pm 9^\circ\text{F}$ ).

5.3 *Balance*, sensitive to 1 g and having a 2000-g capacity.

5.4 *Miscellaneous Apparatus*, including a brush and hammer.

5.5 *Distilled Water*.

## 6. Test Sample and Specimen—

6.1 Collect, transport, and store test samples and test specimens in such a manner as to retain the natural water content using the guidelines in Practices D 2113 and D 5079 and Test Method D 2216.

6.2 The test specimen shall consist of ten representative, intact, roughly equidimensional shale fragments weighing 40 g to 60 g each. These fragments may be naturally occurring or may be produced by breaking with a hammer. Such fragments may be obtained from rock cores or from test pits, and their sizes will vary with the method of sampling. Break off any sharp corners, if possible, and remove any dust by brushing the fragment just prior to weighing. The total test specimen shall weigh 450 to 550 g.

## 7. Procedure

7.1 Photograph specimen prior to placement in drum.

7.2 *Water Content*—Using Test Method D 2216, determine the water content of each test specimen before testing. This shall be done with the shale fragments in the drum to be used for the actual testing.

7.3 Mount the drum in the trough and couple to the motor. Fill the trough with distilled water at room temperature to 20 mm (0.8 in.) below the drum axis. Rotate the drum at 20 rpm for a period of 10 min. Record the water temperature at the beginning and end of the run.

7.4 Remove the drum from the trough immediately after the rotation period is complete and dry the drum and the specimen retained in the oven the same as in 7.2 and obtain the oven-dried mass.

7.5 Repeat 7.3 and 7.4 to obtain a final oven-dried mass for the second cycle.

7.6 Photograph specimen retained and file a copy of the photo with the laboratory report, or record standard verbal descriptions, as follows:

7.6.1 *Type I*—Retained specimen remain virtually unchanged.

7.6.2 *Type II*—Retained specimen consist of large and small fragments.

7.6.3 *Type III*—Retained specimen is exclusively small fragments.

7.7 See Fig. 2 for representative photographs of the three types.

## 8. Calculations

8.1 Calculate the slake durability index (second cycle), as follows:

$$I_d(2) = [(W_F - C)/(B - C)] \times 100 \quad (1)$$

where:

- $I_d(2)$  = slake durability index (second cycle),
- $B$  = mass of drum plus oven-dried specimen before the first cycle, g,
- $W_F$  = mass of drum plus oven-dried specimen retained after the second cycle, g, and
- $C$  = mass of drum, g.

## 9. Report

9.1 The report shall include the following:

9.1.1 Description of the specimen and where it was obtained.

9.1.2 Slake durability index (second cycle) to the nearest 0.1 %.

9.1.3 Range and average value of the water temperature.

9.1.4 Natural water content.

9.1.5 Description of the appearance of the fragments retained in the drum (see 7.6).

## 10. Precision and Bias

10.1 Test data on precision is not presented due to the nature of shale and other similar rock tested by this test method. It is either not feasible or too costly at this time to produce multiple specimens which have uniform physical properties. Any variation observed on the data is just as likely to be due to specimen