
**Razširjena uporaba rezultatov preskusov požarne odpornosti - Nenosilne stene - 4.
del: Zastekljena konstrukcija**

Extended application of test results from fire resistance tests - Non-loadbearing walls -
Part 4: Glazed constructions

Erweiterter Anwendungsbereich der Ergebnisse von Feuerwiderstandsprüfungen -
Nichttragende Wände - Teil 4: Verglaste Konstruktionen

Extension du champ d'application des résultats des essais de résistance au feu -
Éléments non-porteurs - Partie 4: Constructions vitrées

<https://standards.iteh.ai/catalog/standards/sist/7eb3e9a4-fdb1-4ec7-bee5-8528767e3734/sist-en-15254-4-2008-kfprA1-2011>

Ta slovenski standard je istoveten z: EN 15254-4:2008/FprA1

ICS:

13.220.50	Požarna odpornost gradbenih materialov in elementov	Fire-resistance of building materials and elements
91.060.10	Stene. Predelne stene. Fasade	Walls. Partitions. Facades

SIST EN 15254-4:2008/kFprA1:2011 en,fr,de

iTeh STANDARD PREVIEW
(standards.iteh.ai)

[SIST EN 15254-4:2008/kFprA1:2011](https://standards.iteh.ai/catalog/standards/sist/7eb3e9a4-fdb1-4ec7-bee5-8528767e3734/sist-en-15254-4-2008-kfpra1-2011)

<https://standards.iteh.ai/catalog/standards/sist/7eb3e9a4-fdb1-4ec7-bee5-8528767e3734/sist-en-15254-4-2008-kfpra1-2011>

EUROPEAN STANDARD
NORME EUROPÉENNE
EUROPÄISCHE NORM

FINAL DRAFT
EN 15254-4:2008

FprA1

January 2011

ICS 13.220.50; 91.060.10

English Version

Extended application of test results from fire resistance tests - Non-loadbearing walls - Part 4: Glazed constructions

Extension du champ d'application des résultats des essais
de résistance au feu - Eléments non-porteurs - Partie 4:
Constructions vitrées

Erweiterter Anwendungsbereich der Ergebnisse von
Feuerwiderstandsprüfungen - Nichttragende Wände - Teil
4: Verglaste Konstruktionen

This draft amendment is submitted to CEN members for unique acceptance procedure. It has been drawn up by the Technical Committee CEN/TC 127.

This draft amendment A1, if approved, will modify the European Standard EN 15254-4:2008. If this draft becomes an amendment, CEN members are bound to comply with the CEN/CENELEC Internal Regulations which stipulate the conditions for inclusion of this amendment into the relevant national standard without any alteration.

This draft amendment was established by CEN in three official versions (English, French, German). A version in any other language made by translation under the responsibility of a CEN member into its own language and notified to the CEN-CENELEC Management Centre has the same status as the official versions.

CEN members are the national standards bodies of Austria, Belgium, Bulgaria, Croatia, Cyprus, Czech Republic, Denmark, Estonia, Finland, France, Germany, Greece, Hungary, Iceland, Ireland, Italy, Latvia, Lithuania, Luxembourg, Malta, Netherlands, Norway, Poland, Portugal, Romania, Slovakia, Slovenia, Spain, Sweden, Switzerland and United Kingdom.

Recipients of this draft are invited to submit, with their comments, notification of any relevant patent rights of which they are aware and to provide supporting documentation.

Warning : This document is not a European Standard. It is distributed for review and comments. It is subject to change without notice and shall not be referred to as a European Standard.



EUROPEAN COMMITTEE FOR STANDARDIZATION
COMITÉ EUROPÉEN DE NORMALISATION
EUROPÄISCHES KOMITEE FÜR NORMUNG

Management Centre: Avenue Marnix 17, B-1000 Brussels

Contents

	page
Foreword.....	3
1 Modification to 3.1, fire resistant glass	4
2 Modification to 6.3, Individual rectangular glass panes: aspect ratio and increase in area	4
3 Modification to B.1.2, Rectangular fire resistant glass panes or elements	4
4 Modification to Figure B.1	5

iTeh STANDARD PREVIEW (standards.iteh.ai)

[SIST EN 15254-4:2008/kFprA1:2011](https://standards.iteh.ai/catalog/standards/sist/7eb3e9a4-fdb1-4ec7-bee5-8528767e3734/sist-en-15254-4-2008-kfpra1-2011)
<https://standards.iteh.ai/catalog/standards/sist/7eb3e9a4-fdb1-4ec7-bee5-8528767e3734/sist-en-15254-4-2008-kfpra1-2011>

Foreword

This document (EN 15254-4:2008/FprA1:2011) has been prepared by Technical Committee CEN/TC 127 “Fire safety in buildings”, the secretariat of which is held by BSI.

This document is currently submitted to the Unique Acceptance Procedure.

This document has been prepared under a mandate given to CEN by the European Commission and the European Free Trade Association, and supports essential requirements of EU Directive 89/106/EEC.

iTeh STANDARD PREVIEW (standards.iteh.ai)

[SIST EN 15254-4:2008/kFprA1:2011](https://standards.iteh.ai/catalog/standards/sist/7eb3e9a4-fdb1-4ec7-bee5-8528767e3734/sist-en-15254-4-2008-kfpra1-2011)

<https://standards.iteh.ai/catalog/standards/sist/7eb3e9a4-fdb1-4ec7-bee5-8528767e3734/sist-en-15254-4-2008-kfpra1-2011>

EN 15254-4:2008/FprA1:2011 (E)**1 Modification to 3.1, fire resistant glass**

Replace the definition with the following:

"glass product group (see 3.8), i.e. monolithic, multiple layers or insulating glass unit, that when used in a fire resistant glazed assembly, can have its performance determined and classified in accordance with EN 13501-2".

2 Modification to 6.3, Individual rectangular glass panes: aspect ratio and increase in area

Replace the second to last paragraph "A change in the aspect ratio of rectangular panes is allowed provided that the pane fits within the extended pane dimensions defined above." with the following:

"A change in the aspect ratio of rectangular panes is allowed provided that the pane fits within the extended pane dimensions defined above. Additionally, a change in the aspect ratio of panes, rotation of panes from portrait format into landscape format and vice versa, and change in area, is allowed, providing that:

- all panes covered by the reference tests were tested in an identical glazing system;
- the largest tested width as well as the largest tested height are not exceeded (width and height of different panes);
- the area of the "new pane" does not exceed the average area of the largest tested portrait and landscape format panes: $A_{\text{new}} \leq \frac{1}{2} \times (A_{\text{portrait}} + A_{\text{landscape}})$."

ITeH STANDARD PREVIEW
(standards.iteh.ai)

3 Modification to B.1.2, Rectangular fire resistant glass panes or elements

<https://standards.iteh.ai/catalog/standards/sist/7eb3e9a4-fdb1-4ec7-bee5-8528767e3734/sist-en-15254-4-2008-kfpra1-2011>

Replace the text:

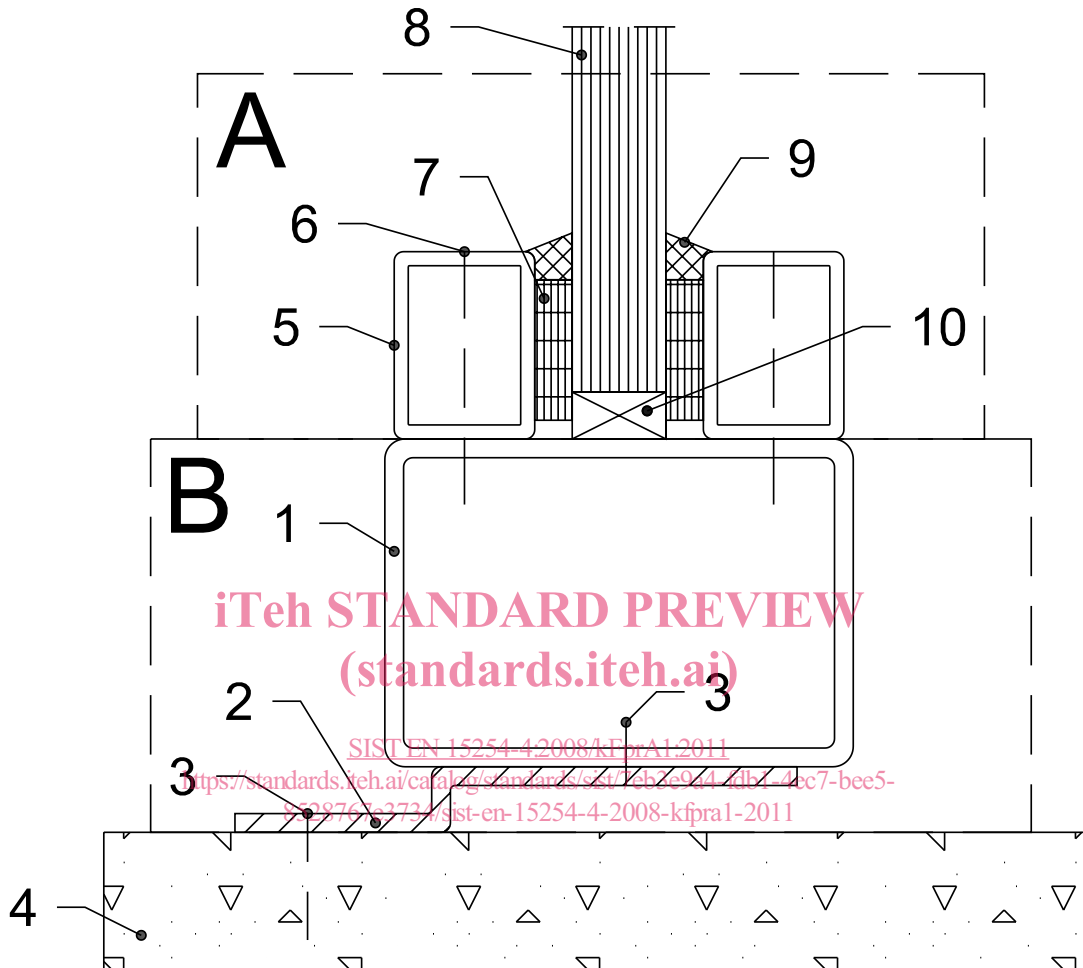
"*d* is the distance between test specimen and sensor (1 m as required by EN 1364-2);"

with the following:

"*d* is the distance between test specimen and sensor (1 m as required by EN 1363-2);"

4 Modification to Figure B.1

Replace the figure and key with the following: "



Key

A glazing system

B framing system

Framing system consisting of:

- 1 frame
- 2 metal anchor, screwed or bolted to the wall 4 by a fixing anchor 3
- 3 screw and fixing anchor
- 4 wall
- 5 bead, screwed or clipped
- 6 bead fixing
- 7 glazing strip
- 8 glass
- 9 sealing of gasket
- 10 setting block

".