
**Pliers and nippers — Pliers for gripping
and manipulating — Dimensions and test
values**

*Pinces et tenailles — Pinces de serrage et de manipulation —
Dimensions et valeurs d'essai*

iTeh STANDARD PREVIEW
(standards.iteh.ai)

[ISO 5745:2004](https://standards.iteh.ai/catalog/standards/sist/11b987ca-4abe-4855-96a7-713b21710409/iso-5745-2004)

<https://standards.iteh.ai/catalog/standards/sist/11b987ca-4abe-4855-96a7-713b21710409/iso-5745-2004>



PDF disclaimer

This PDF file may contain embedded typefaces. In accordance with Adobe's licensing policy, this file may be printed or viewed but shall not be edited unless the typefaces which are embedded are licensed to and installed on the computer performing the editing. In downloading this file, parties accept therein the responsibility of not infringing Adobe's licensing policy. The ISO Central Secretariat accepts no liability in this area.

Adobe is a trademark of Adobe Systems Incorporated.

Details of the software products used to create this PDF file can be found in the General Info relative to the file; the PDF-creation parameters were optimized for printing. Every care has been taken to ensure that the file is suitable for use by ISO member bodies. In the unlikely event that a problem relating to it is found, please inform the Central Secretariat at the address given below.

iTeh STANDARD PREVIEW
(standards.iteh.ai)

[ISO 5745:2004](#)

<https://standards.iteh.ai/catalog/standards/sist/11b987ca-4abe-4855-96a7-713b21710409/iso-5745-2004>

© ISO 2004

All rights reserved. Unless otherwise specified, no part of this publication may be reproduced or utilized in any form or by any means, electronic or mechanical, including photocopying and microfilm, without permission in writing from either ISO at the address below or ISO's member body in the country of the requester.

ISO copyright office
Case postale 56 • CH-1211 Geneva 20
Tel. + 41 22 749 01 11
Fax + 41 22 749 09 47
E-mail copyright@iso.org
Web www.iso.org

Published in Switzerland

Contents

Page

Foreword	iv
1 Scope	1
2 Normative references	1
3 Dimensions and test values	1
4 Designation	8
5 Marking	9
Bibliography	10

iTeh STANDARD PREVIEW (standards.iteh.ai)

[ISO 5745:2004](#)

<https://standards.iteh.ai/catalog/standards/sist/11b987ca-4abe-4855-96a7-713b21710409/iso-5745-2004>

Foreword

ISO (the International Organization for Standardization) is a worldwide federation of national standards bodies (ISO member bodies). The work of preparing International Standards is normally carried out through ISO technical committees. Each member body interested in a subject for which a technical committee has been established has the right to be represented on that committee. International organizations, governmental and non-governmental, in liaison with ISO, also take part in the work. ISO collaborates closely with the International Electrotechnical Commission (IEC) on all matters of electrotechnical standardization.

International Standards are drafted in accordance with the rules given in the ISO/IEC Directives, Part 2.

The main task of technical committees is to prepare International Standards. Draft International Standards adopted by the technical committees are circulated to the member bodies for voting. Publication as an International Standard requires approval by at least 75 % of the member bodies casting a vote.

Attention is drawn to the possibility that some of the elements of this document may be the subject of patent rights. ISO shall not be held responsible for identifying any or all such patent rights.

ISO 5745 was prepared by Technical Committee ISO/TC 29, *Small tools*, Subcommittee SC 10, *Assembly tools for screws and nuts, pliers and nippers*.

This third edition cancels and replaces the second edition (ISO 5745:1988) which has been technically revised.

iTeh STANDARD PREVIEW
(standards.iteh.ai)

ISO 5745:2004
<https://standards.iteh.ai/catalog/standards/sist/11b987ca-4abe-4855-96a7-713b21710409/iso-5745-2004>

Pliers and nippers — Pliers for gripping and manipulating — Dimensions and test values

1 Scope

This International Standard specifies the principal dimensions of pliers for gripping and manipulating and the test values for the pliers in order to verify their aptitude to function in conformity with ISO 5744. General technical requirements are given in ISO 5743.

The pliers for gripping and manipulating illustrated in this International Standard are examples only and are not intended to affect the manufacturer's design.

2 Normative references

The following referenced documents are indispensable for the application of this document. For dated references, only the edition cited applies. For undated references, the latest edition of the referenced document (including any amendments) applies.

ISO 5743, *Pliers and nippers — General technical requirements*

ISO 5744:2004, *Pliers and nippers — Methods of test*
<https://standards.iteh.ai/catalog/standards/sist/11b987ca-4abe-4855-96a7-713b21710409/iso-5745-2004>

3 Dimensions and test values

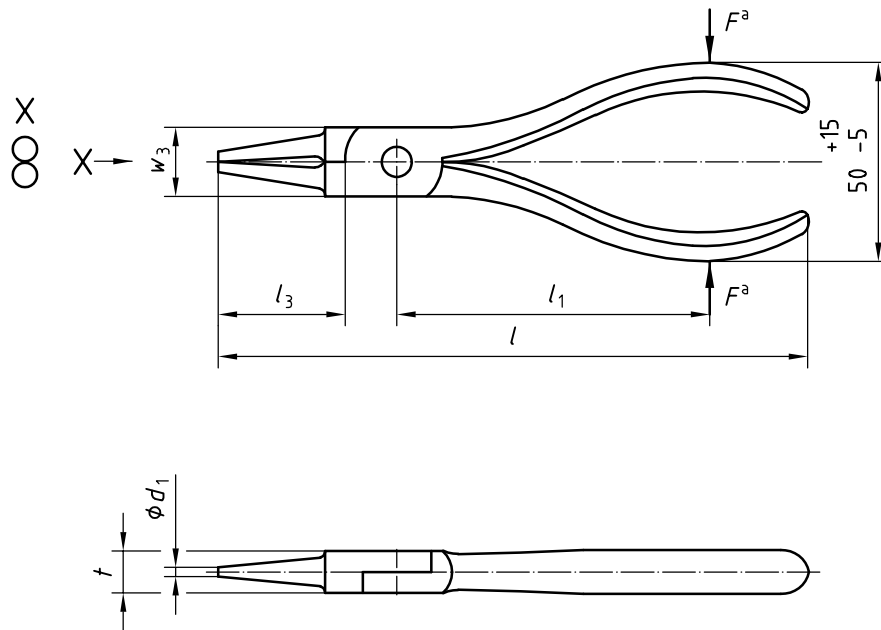
3.1 Round nose pliers for gripping and manipulating

The principal dimensions for round nose pliers for gripping and manipulating are shown in Figure 1 and given in Table 1.

Round nose pliers shall be tested in accordance with ISO 5744.

After the load test, the permanent set s shall not exceed the value given in Table 2. If distance l_1 is not suitable for the load test, the formula given in ISO 5744:2004, 4.2 shall be used.

Dimensions in millimetres



a F = Load applied in load test.

Figure 1 — Round nose pliers for gripping and manipulating
(standards.iteh.ai)

Table 1 — Round nose pliers for gripping and manipulating, principal dimensions

Dimensions in millimetres

Length of nose	l	l_3	d_1 max.	w_3 max.	t max.
Short nose	$125 \pm 6,3$	25_{-5}^0	2	16	9
	140 ± 8	$32_{-6,3}^0$	2,8	18	10
	160 ± 8	40_{-8}^0	3,2	20	11
Long nose	140 ± 7	40 ± 4	2,8	17	9
	160 ± 8	50 ± 5	3,2	19	10
	180 ± 9	$63 \pm 6,3$	3,6	20	11

Table 2 — Round nose pliers for gripping and manipulating, torsion and load test values

Length of nose	Nominal length l mm	l_1 mm	Torsion test		Load test	
			Torque T N · m	Maximum twist α_{\max}	Load F N	Maximum permanent set s_{\max}^a mm
Short nose	125	63	0,5	20°	630	1
	140	71	1,0		710	
	160	80	1,25		800	
Long nose	140	63	0,25	25°	630	
	160	71	0,5		710	
	180	80	1,0		800	

^a $s = w_1 - w_2$ (see ISO 5744).

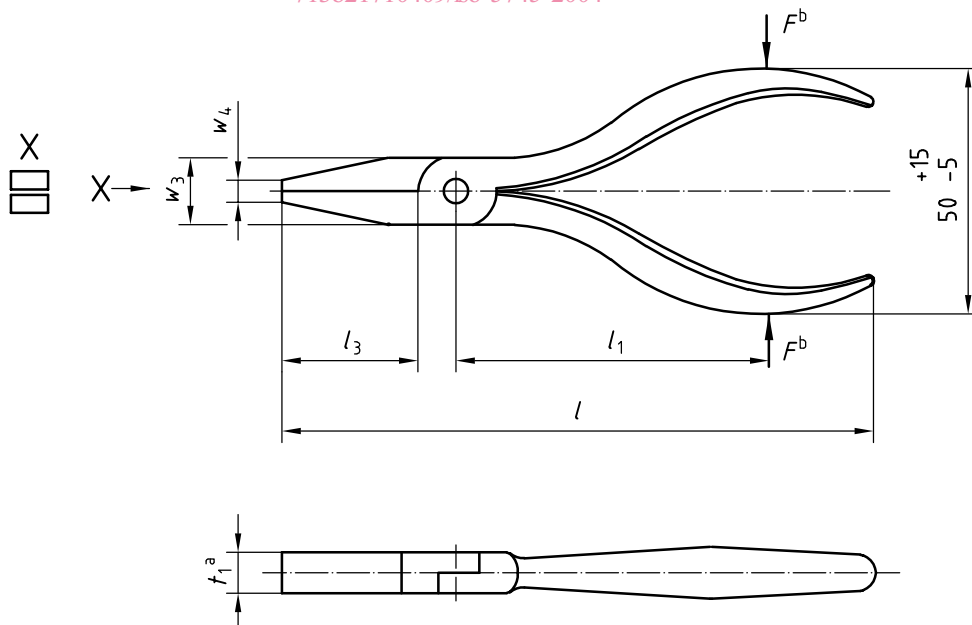
3.2 Flat nose pliers for gripping and manipulating

The principal dimensions of flat nose pliers for gripping and manipulating are shown in Figure 2 and given in Table 3.

Flat nose pliers shall be tested in accordance with ISO 5744.

<https://standards.iteh.ai/catalog/standards/sist/11b987ca-4abe-4855-96a7-713b21710409/iso-5745-2004>

Dimensions in millimetres



a The head may be tapered over the length l_3 .

b F = Load applied in load test.

Figure 2 — Flat nose pliers for gripping and manipulating

Table 3 — Flat nose pliers for gripping and manipulating, principal dimensions

Dimensions in millimetres

Length of nose	l	l_3	w_3 max.	w_4 max.	l_1 max.
Short nose	125 ± 6	25 ⁰ ₋₅	16	3,2	9
	140 ± 7	32 ⁰ _{-6,3}	18	4	10
	160 ± 8	40 ⁰ ₋₈	20	5	11
Long nose	140 ± 7	40 ± 4	16	3,2	9
	160 ± 8	50 ± 5	18	4	10
	180 ± 9	63 ± 6,3	20	5	11

After the load test, the permanent set s shall not exceed the value given in Table 4. If distance l_1 is not suitable for the load test, the formula given in ISO 5744:2004, 4.2 shall be used.

Table 4 — Flat nose pliers for gripping and manipulating, torsion and load test values

Length of nose	Nominal length l mm	l_1 mm	Torsion test		Load test	
			Torque T N·m	Maximum twist α_{max} °	Load F N	Maximum permanent set s_{max}^a mm
Short nose	125	63	4	20°	630	1
	140	71	5	20°	710	1
	160	80	6	20°	800	1
Long nose	140	63	—	—	630	1
	160	71	—	—	710	1
	180	80	—	—	800	1

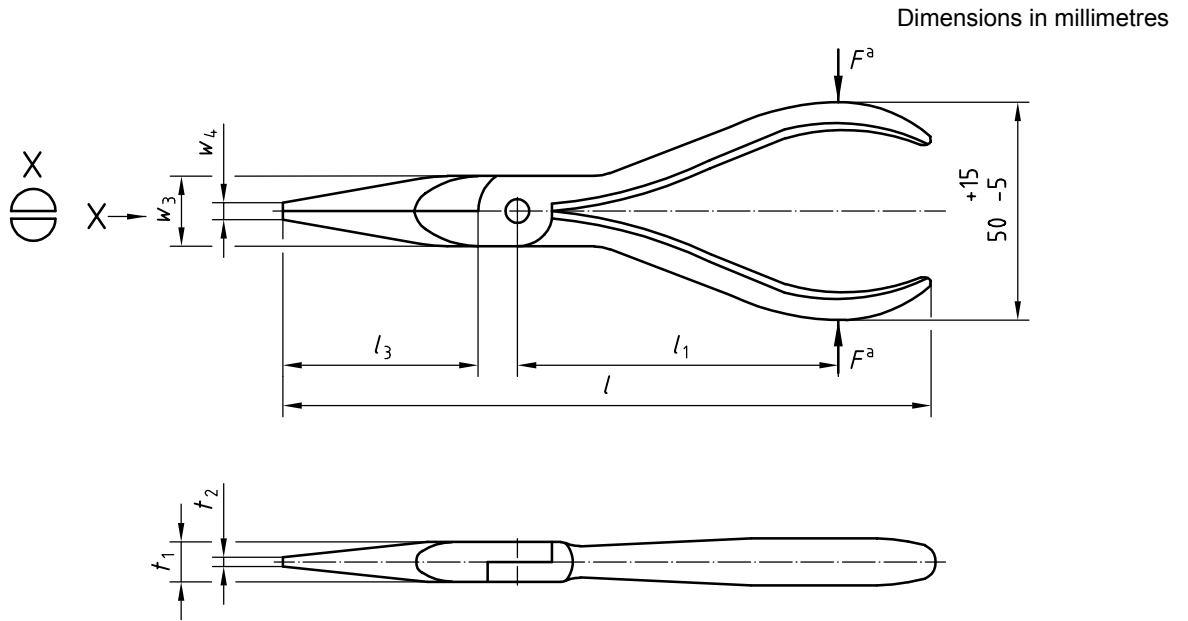
^a $s = w_1 - w_2$ (see ISO 5744).

3.3 Snipe nose pliers for gripping and manipulating

The principal dimensions for snipe nose pliers for gripping and manipulating are shown in Figure 3 and given in Table 5.

Snipe nose pliers shall be tested in accordance with ISO 5744.

After the load test, the permanent set s shall not exceed the value given in Table 6. If distance l_1 is not suitable for the load test, the formula given in ISO 5744:2004, 4.2 shall be used.



a F = Load applied in load test.

Figure 3 — Snipe nose pliers for gripping and manipulating

Table 5 — Snipe nose pliers for gripping and manipulating, principal dimensions (standards.iteh.ai)

Dimensions in millimetres

l	l_3	w_3 max.	w_4 max.	t_1 max.	t_2 max.
140 ± 7	40 ± 5	16	2,5	9	2
160 ± 8	$53 \pm 6,3$	19	3,2	10	2,5
180 ± 10	60 ± 8	20	5	11	3
200 ± 10	80 ± 10	22	5	12	4
280 ± 14	80 ± 14	22	5	12	4

Table 6 — Snipe nose pliers for gripping and manipulating, load test values

Nominal length		Load test	
		Load	Maximum permanent set
l mm	l_1 mm	F N	s_{\max}^a mm
140	63	630	1
160	71	710	1
180	80	800	1
200	90	900	1
280	140	630	1

^a $s = w_1 - w_2$ (see ISO 5744).