

SLOVENSKI STANDARD
SIST EN 848-3:2007+A2:2009
01-december-2009

Varnost lesnoobdelovalnih strojev - Rezkalniki z vrtilnim orodjem za enostransko obdelavo - 3. del: Numerično krmiljeni (NC) vrtalni in rezkalni stroji

Safety of woodworking machines - One side moulding machines with rotating tools - Part 3: Numerically controlled (NC) boring and routing machines

Sicherheit von Holzbearbeitungsmaschinen - Fräsmaschinen für einseitige Bearbeitung mit drehendem Werkzeug - Teil 3: NC-Bohr- und Fräsmaschinen

Sécurité des machines pour le travail du bois - Machines à fraiser sur une face à outil rotatif - Partie 3: Perceuses et défonceuses à commande numérique

<https://standards.iteh.ai/catalog/standards/sist/c32dd52f-ba04-46d5-aa0d-ba219d32bd05/sist-en-848-3-2007-a2-2009>

Ta slovenski standard je istoveten z: EN 848-3:2007+A2:2009

ICS:

25.040.20	Številčno krmiljeni stroji	Numerically controlled machines
79.120.10	Lesnoobdelovalni stroji	Woodworking machines

SIST EN 848-3:2007+A2:2009 **en**

iTeh STANDARD PREVIEW
(standards.iteh.ai)

[SIST EN 848-3:2007+A2:2009](https://standards.iteh.ai/catalog/standards/sist/c32dd52f-ba04-46d5-aa0d-ba219d32bd05/sist-en-848-3-2007a2-2009)

<https://standards.iteh.ai/catalog/standards/sist/c32dd52f-ba04-46d5-aa0d-ba219d32bd05/sist-en-848-3-2007a2-2009>

EUROPEAN STANDARD
NORME EUROPÉENNE
EUROPÄISCHE NORM

EN 848-3:2007+A2

September 2009

ICS 79.120.10

Supersedes EN 848-3:2007

English Version

**Safety of woodworking machines - One side moulding machines
with rotating tools - Part 3: Numerically controlled (NC) boring
and routing machines**

Sécurité des machines pour le travail du bois - Machines à
fraisier sur une face à outil rotatif - Partie 3: Perceuses et
défonceuses à commande numérique

Sicherheit von Holzbearbeitungsmaschinen -
Fräsmaschinen für einseitige Bearbeitung mit drehendem
Werkzeug - Teil 3: NC-Bohr- und Fräsmaschinen

This European Standard was approved by CEN on 17 February 2007 and includes Amendment 1 approved by CEN on 30 July 2009 and Amendment 2 approved by CEN on 24 August 2009.

CEN members are bound to comply with the CEN/CENELEC Internal Regulations which stipulate the conditions for giving this European Standard the status of a national standard without any alteration. Up-to-date lists and bibliographical references concerning such national standards may be obtained on application to the CEN Management Centre or to any CEN member.

This European Standard exists in three official versions (English, French, German). A version in any other language made by translation under the responsibility of a CEN member into its own language and notified to the CEN Management Centre has the same status as the official versions.

CEN members are the national standards bodies of Austria, Belgium, Bulgaria, Cyprus, Czech Republic, Denmark, Estonia, Finland, France, Germany, Greece, Hungary, Iceland, Ireland, Italy, Latvia, Lithuania, Luxembourg, Malta, Netherlands, Norway, Poland, Portugal, Romania, Slovakia, Slovenia, Spain, Sweden, Switzerland and United Kingdom.



EUROPEAN COMMITTEE FOR STANDARDIZATION
COMITÉ EUROPÉEN DE NORMALISATION
EUROPÄISCHES KOMITEE FÜR NORMUNG

Management Centre: Avenue Marnix 17, B-1000 Brussels

Contents

Page

Foreword.....	4
Introduction	5
1 Scope	6
2 Normative references	6
3 Terms and definitions	9
3.1 General.....	9
3.2 Definitions	9
4 List of significant hazards	17
5 Safety requirements and/or measures	20
5.1 General.....	20
5.2 Controls	21
5.2.1 Safety and reliability of control systems.....	21
5.2.2 Position of controls	22
5.2.3 Starting	23
5.2.4 Normal stopping	23
5.2.5 Emergency stop	24
5.2.6 Operational stop	25
5.2.7 Mode selection switch.....	25
5.2.8 Speed monitoring and control.....	27
5.2.9 Interlocking of guards, protective devices, movements and functions.....	29
5.2.10 Failure of the power supply.....	29
5.2.11 Failure of the control circuits	30
5.3 Protection against mechanical hazards	30
5.3.1 Stability	30
5.3.2 Risk of break-up during operation	30
5.3.3 Tool holder	30
5.3.4 Braking tool spindle	31
5.3.5 Devices to minimise the risk of ejection	32
5.3.6 Workpiece supports and guides	32
5.3.7 Prevention of access to moving parts and devices to minimise the effect of ejection.....	32
5.3.8 Clamping device	43
5.4 Protection against non mechanical hazards	45
5.4.1 Fire	45
5.4.2 Noise	45
5.4.3 Emission of chips and dust.....	46
5.4.4 Electricity.....	46
5.4.5 Ergonomics and handling.....	47
5.4.6 Lighting.....	47
5.4.7 Pneumatics.....	47
5.4.8 Hydraulics.....	47
5.4.9 Static electricity	48
5.4.10 Electromagnetic compatibility.....	48
5.4.11 Lasers	48
5.4.12 Unintended movements	48
5.4.13 Supply disconnecting devices	48
5.4.14 Maintenance	49
6 Information for use	49
6.1 Warning devices	49

6.2	Marking.....	49
6.3	Instruction handbook.....	50
Annex A (informative) Use of well tried components.....		55
Annex B (normative) Operating conditions for noise measurement.....		56
B.1	General	56
B.2	Operating conditions for routing units of NC routing machines and NC combined boring/routing machines	56
B.2.1	General	56
B.2.2	Noise measurements	57
B.2.3	General data sheet	59
B.3	Operating conditions for boring units of NC boring machines and NC combined boring/routing machines	61
B.3.1	General	61
B.3.2	Noise measurements	62
B.3.3	General data sheet	64
Annex C (normative) Curtains on NC routing and NC combined boring and routing machines – Impact test method.....		67
C.1	General	67
C.2	Test method	67
C.2.1	Preliminary remarks	67
C.2.2	Testing equipment.....	67
C.2.3	Test procedure.....	68
C.3	Results.....	71
C.4	Assessment	71
C.5	Test report.....	71
Annex D (informative) ^{A2} Example of a test equipment for impact test ^{A2}.....		72
Annex E (normative) Braking tests		73
E.1	Conditions for brake tests	73
E.2	Tests	73
E.2.1	Un-braked run-down time.....	73
E.2.2	Braked run-down time.....	73
Annex F (normative) Use of electronic components		75
F.1	General	75
F.2	SRECS	75
F.2.1	Components, hardware.....	75
F.2.2	Safety related software	76
F.2.3	Validation.....	76
Annex G (normative) ^{A2} Rigid guards on NC routing machines – Impact test method.....		78
G.1	General	78
G.2	Test method	78
G.2.1	Preliminary remarks	78
G.2.2	Testing equipment.....	78
G.2.3	Test procedure.....	79
G.3	Results.....	79
G.4	Assessment	80
G.5	Test report ^{A2}	80
Annex ZA (informative) Relationship between this European Standard and the Essential Requirements of EU Directive 98/37/EC.....		81
Annex ZB (informative) ^{A1} Relationship between this European Standard and the Essential Requirements of EU Directive 2006/42/EC ^{A1}		84
Bibliography.....		88

EN 848-3:2007+A2:2009 (E)**Foreword**

This document (EN 848-3:2007+A2:2009) has been prepared by Technical Committee CEN/TC 142 "Woodworking machines - Safety", the secretariat of which is held by UNI.

This European Standard shall be given the status of a national standard, either by publication of an identical text or by endorsement, at the latest by March 2010, and conflicting national standards shall be withdrawn at the latest by March 2010.

This document includes Amendment 1, approved by CEN on 2009-07-30 and Amendment 2, approved by CEN on 2009-08-24.

This document supersedes A_1 EN 848-3:2007 A_1 .

The start and finish of text introduced or altered by amendment is indicated in the text by tags A_1 A_1 and A_2 A_2 .

This document has been prepared under a mandate given to CEN by the European Commission and the European Free Trade Association, and supports essential requirements of the A_1 Machinery Directives A_1 .

A_1 For relationship with EU Directive(s), see informative Annexes ZA and ZB, which are integral parts of this document. A_1

Organisations contributing to the preparation of this European Standard include the European Manufacturers Association "EUMABOIS".

SIST EN 848-3:2007+A2:2009

The European Standards produced by CEN/TC 142 are particular to woodworking machines and compliment the relevant A and B standards on the subject of general safety (see introduction of EN ISO 12100-1:2003 for a description of A, B and C standards).

A_1 EN 848 *Safety of woodworking machines — One side moulding machines with rotating tool* consists of the following parts:

Part 1: Single spindle vertical moulding machines

Part 2: Single spindle hand fed/integrated fed routing machines

Part 3: Numerically controlled (NC) boring and routing machines A_1

According to the CEN/CENELEC Internal Regulations, the national standards organizations of the following countries are bound to implement this European Standard: Austria, Belgium, Bulgaria, Cyprus, Czech Republic, Denmark, Estonia, Finland, France, Germany, Greece, Hungary, Iceland, Ireland, Italy, Latvia, Lithuania, Luxembourg, Malta, Netherlands, Norway, Poland, Portugal, Romania, Slovakia, Slovenia, Spain, Sweden, Switzerland and United Kingdom.

Introduction

This document has been prepared to be a harmonised standard to provide one means of conforming to the essential health and safety requirements of the Machinery Directive and associated EFTA Regulations.

This document is a type C standard as defined in EN ISO 12100-1:2003.

The machinery concerned and the extent to which hazards, hazardous situations and events covered are indicated in the scope of this document.

When provisions of this type C standard are different from those which are stated in type A or B standards, the provisions of this type C standard take precedence over the provisions of other standards, for machines that have been designed and built according to the provisions of this type C standard.

The requirements of this document are directed to manufacturers and their authorised representatives of numerically controlled (NC) boring machines and routing machines. It is also useful for designers.

This also includes examples of information to be provided by the manufacturer to the user.

Common requirements for tooling are given in EN 847-1:2005 and EN 847-2:2001.

iTeh STANDARD PREVIEW
(standards.iteh.ai)

[SIST EN 848-3:2007+A2:2009](https://standards.iteh.ai/catalog/standards/sist/c32dd52f-ba04-46d5-aa0d-ba219d32bd05/sist-en-848-3-2007a2-2009)

<https://standards.iteh.ai/catalog/standards/sist/c32dd52f-ba04-46d5-aa0d-ba219d32bd05/sist-en-848-3-2007a2-2009>

EN 848-3:2007+A2:2009 (E)**1 Scope**

This document ^{A1} specifies all ^{A1} significant hazards, hazardous situations and events as listed in Clause 4, which are relevant to NC boring machines, NC routing machines and NC combined boring/routing machines (as defined in 3.2.1) herein after referred to as "machines" designed to cut solid wood, chip board, fibreboard, plywood and also these materials where these are covered with plastic laminate or edgings when they are used as intended and under the conditions foreseen by the manufacturer.

This document also applies to machines fitted with:

- a) additional equipment for sawing, sanding and edge banding;
- b) fixed or movable workpiece support;
- c) mechanical, pneumatic, hydraulic or vacuum workpiece clamping;
- d) automatic tool change facilities.

This document does not deal with the specific hazards of edge banding equipment fitted to NC boring machines, NC routing machines and NC combined boring/routing machines.

This document is only applicable to NC boring machines, NC routing machines and NC combined boring/routing machines which are designed to use milling tools with a cutting circle diameter below 16 mm or milling tools or saw-blades conforming to EN 847-1:2005 and EN 847-2:2001 and boring tools or sanding wheels.

This document is not applicable to NC boring machines, NC routing machines and NC combined boring/routing machines which are designed to use grinding wheels.

This document is not applicable to single spindle hand fed/integrated fed routing machines.

NOTE Single spindle hand fed/integrated fed routing machines are dealt with in EN 848-2:2007.

This document does not deal with the specific hazards of ejection through curtains on machines with feeding openings of which the distance between the workpiece support and the lower part of the partial enclosure in the direction of the feed exceeds 400 mm.

This document is not applicable to NC boring machines, NC routing machines and NC combined boring/routing machines which are manufactured before the date of its publication as EN.

2 Normative references

The following referenced documents are indispensable for the application of this document. For dated references, only the edition cited applies. For undated references, the latest edition of the referenced document (including any amendments) applies.

^{A1} ~~text~~ ^{A1}

EN 847-1:2005, *Tools for woodworking — Safety requirements — Part 1: Milling tools, circular saw blades*

EN 847-2:2001, *Tools for woodworking — Safety requirements — Part 2: Requirements for the shank of shank mounted milling tools*

EN 894-1:1997, *Safety of machinery — Ergonomics requirements for the design of displays and control actuators — Part 1: General principles for human interactions with displays and control actuators*

- EN 894-2:1997, *Safety of machinery — Ergonomics requirements for the design of displays and control actuators — Part 2: Displays*
- EN 894-3:2000, *Safety of machinery — Ergonomics requirements for the design of displays and control actuators — Part 3: Control actuators*
- EN 982:1996, *Safety of machinery — Safety requirements for fluid power systems and their components — Hydraulics*
- EN 983:1996, *Safety of machinery — Safety requirements for fluid power systems and their components — Pneumatics*
- EN 1005-1:2001, *Safety of machinery — Human physical performance — Part 1: Terms and definitions*
- EN 1005-2:2003, *Safety of machinery — Human physical performance — Part 2: Manual handling of machinery and component parts of machinery*
- EN 1005-3:2002, *Safety of machinery — Human physical performance — Part 3: Recommended force limits for machinery operation*
- EN 1005-4:2005, *Safety of machinery — Human physical performance — Part 4: Evaluation of working postures and movements in relation to machinery*
- EN 1037:1995, *Safety of machinery — Prevention of unexpected start-up*
- EN 1088:1995, *Safety of machinery — Interlocking devices associated with guards — Principles for design and selection*
- EN 1760-1:1997, *Safety of machinery — Pressure sensitive protective devices — Part 1: General principles for the design and testing of pressure sensitive mats and pressure sensitive floors*
- EN 1760-3:2004, *Safety of machinery — Pressure sensitive protective devices — Part 3: General principles for the design and testing of pressure sensing bumpers, plates, wires and similar devices*
- EN 1837:1999, *Safety of machinery — Integral lighting of machines*
- EN 50178:1997, *Electronic equipment for use in power installations*
- EN 50370-1:2005, *Electromagnetic compatibility (EMC) — Product family standard for machine tools — Part 1: Emission*
- EN 50370-2:2003, *Electromagnetic compatibility (EMC) — Product family standard for machine tools — Part 2: Immunity*
- EN 60204-1:2006, *Safety of machinery — Electrical equipment of machines — Part 1: General requirements (IEC 60204-1:2005, modified)*
- EN 60439-1:1999, *Low-voltage switchgear and controlgear assemblies — Part 1: Type-tested and partially type-tested assemblies (IEC 60439-1:1999)*
- EN 60529:1991, *Degrees of protection provided by enclosures (IP Code) (IEC 60529:1989)*
- EN 60825-1:2007 ^(A1), *Safety of laser products — Part 1: Equipment classification, requirements and user's guide ^(A1) (IEC 60825-1:2007) ^(A1)*
- EN 61496-1:2004, *Safety of machinery — Electro-sensitive protective equipment — Part 1: General requirements and tests (IEC 61496-1:2004, modified)*

EN 848-3:2007+A2:2009 (E)

CLC/TS 61496-2:2006, *Safety of machinery — Electro-sensitive protective equipment — Part 2: Particular requirements for equipment using active opto-electronic protective devices (AOPDs)* (IEC 61496-2:2006)

EN 61508-3:2001, *Functional safety of electrical/electronic/programmable electronic safety related systems — Part 3: Software requirements* (IEC 61508-3:1998 + Corrigendum 1999)

EN ISO 3743-1:1995, *Acoustics — Determination of sound power levels of noise sources — Engineering methods for small, moveable sources in reverberant fields — Part 1: Comparison method for hard-walled test rooms* (ISO 3743-1:1994)

EN ISO 3743-2:1996, *Acoustics — Determination of sound power levels of noise sources using sound pressure — Engineering methods for small, moveable sources in reverberant fields — Part 2: Methods for special reverberation test rooms* (ISO 3743-2:1994)

EN ISO 3744:1995, *Acoustics — Determination of sound power levels of noise sources using sound pressure — Engineering method in an essentially free field over a reflecting plane* (ISO 3744:1994)

EN ISO 3745:2003, *Acoustics — Determination of sound power levels of noise sources using sound pressure — Precision methods for anechoic and semi-anechoic rooms* (ISO 3745:2003)

EN ISO 3746:1995, *Acoustics — Determination of sound power levels of noise sources using sound pressure — Survey method using an enveloping measurement surface over a reflecting plane* (ISO 3746:1995)

EN ISO 4871:1996, *Acoustics — Declaration and verification of noise emission values of machinery and equipment* (ISO 4871:1996)

EN ISO 9614-1:1995, *Acoustics — Determination of sound power levels of noise sources using sound intensity — Part 1: Measurement at discrete points* (ISO 9614-1:1993)

EN ISO 11202:1995/AC:1997, *Acoustics — Noise emitted by machinery and equipment — Measurement of emission sound pressure levels at a workstation and at other specified positions — Survey method in situ* (ISO 11202:1995)

EN ISO 11204:1995/AC:1997, *Acoustics — Noise emitted by machinery and equipment — Measurement of emission sound pressure levels at a workstation and at other specified positions — Method requiring environmental corrections* (ISO 11204:1995)

EN ISO 11688-1:1998/AC:1998, *Acoustics — Recommended practice for the design of low-noise machinery and equipment — Part 1: Planning* (ISO/TR 11688-1:1995)

EN ISO 12100-1:2003, *Safety of machinery — Basic concepts, general principles for design — Part 1: Basic terminology, methodology* (ISO 12100-1:2003)

EN ISO 12100-2:2003, *Safety of machinery — Basic concepts, general principles for design — Part 2: Technical principles* (ISO 12100-2:2003)

EN ISO 13849-1:2008 ^{A2}, *Safety of machinery — Safety-related parts of controls systems — Part 1: General principles for design* (ISO 13849-1:2006)

EN ISO 13849-2:2008 ^{A2}, *Safety of machinery — Safety-related parts of controls systems — Part 2: Validation* (ISO 13849-2:2003)

EN ISO 13850:2006, *Safety of machinery — Emergency stop — Principles for design* (ISO 13850:2006)

EN ISO 13857:2008, *Safety of machinery — Safety distances to prevent hazard zones being reached by upper and lower limbs* (ISO 13857:2008) ^{A1}

3 Terms and definitions

3.1 General

For the purposes of this document, the terms and definitions given in EN ISO 12100-1:2003 and the following apply.

3.2 Definitions

3.2.1

Numerically Controlled (NC) boring and routing machines

integrated fed machines designed for the machining of workpieces by the use of milling and/or boring tools. These machines have at least two square axes programmable by the user (e.g. X, Y) for positioning and/or machining. The axes operate in accordance with a NC work programme

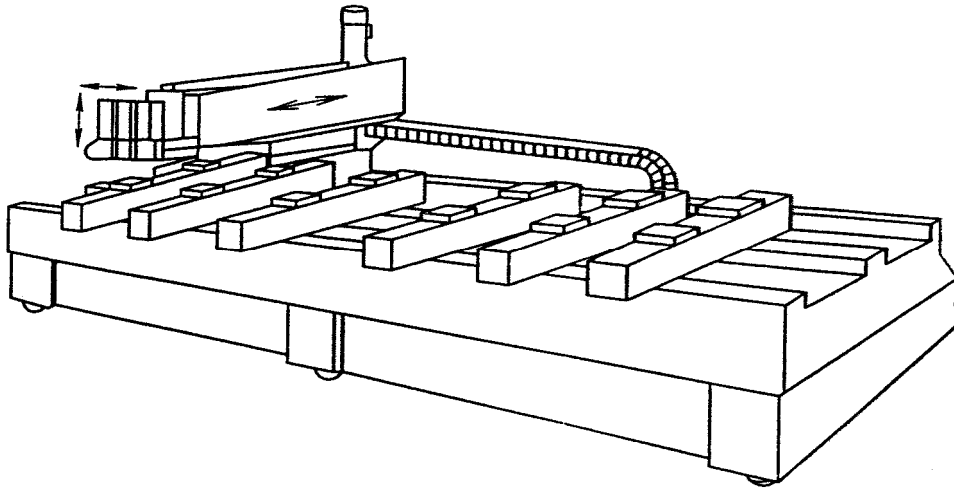
NOTE The machine can have:

- a) additional equipment for sawing or sanding;
- b) additional equipment for edge banding;
- c) fixed or movable workpiece support;
- d) mechanical, pneumatic, hydraulic or vacuum workpiece clamping;
- e) automatic tool change facilities.

Examples of different machine design are illustrated in Figures 1 to 9.

SIST EN 848-3:2007+A2:2009
<https://standards.iteh.ai/catalog/standards/sist/c32dd52f-ba04-46d5-aa0d-ba219d32bd05/sist-en-848-3-2007a2-2009>

EN 848-3:2007+A2:2009 (E)

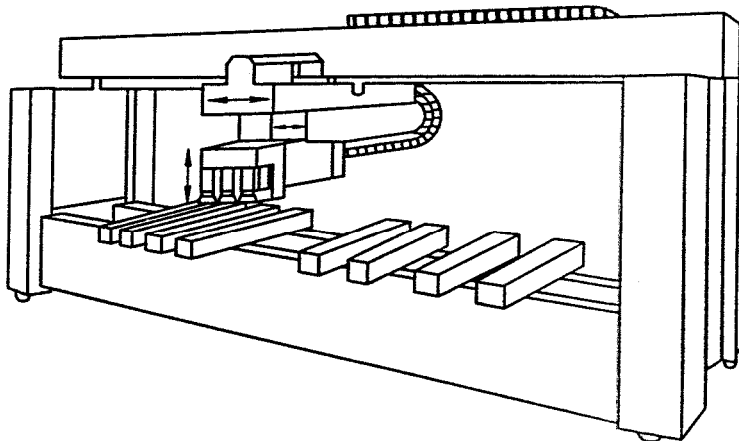


Safeguarding devices are not illustrated

Figure 1 — Example 1 of a C frame machine (fixed table, moveable head)
 (standards.iteh.ai)

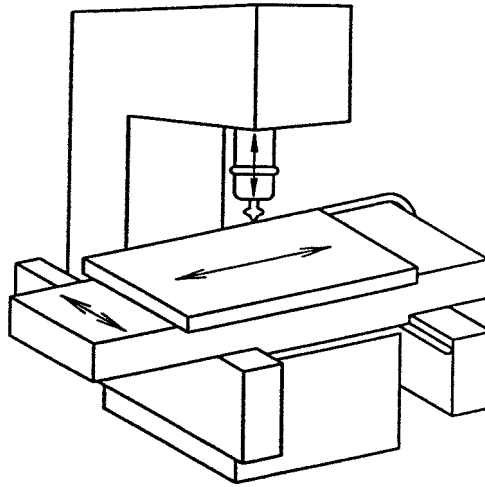
SIST EN 848-3:2007+A2:2009

<https://standards.iteh.ai/catalog/standards/sist/c32dd52f-ba04-46d5-aa0d-ba219d32bd05/sist-en-848-3-2007a2-2009>



Safeguarding devices are not illustrated

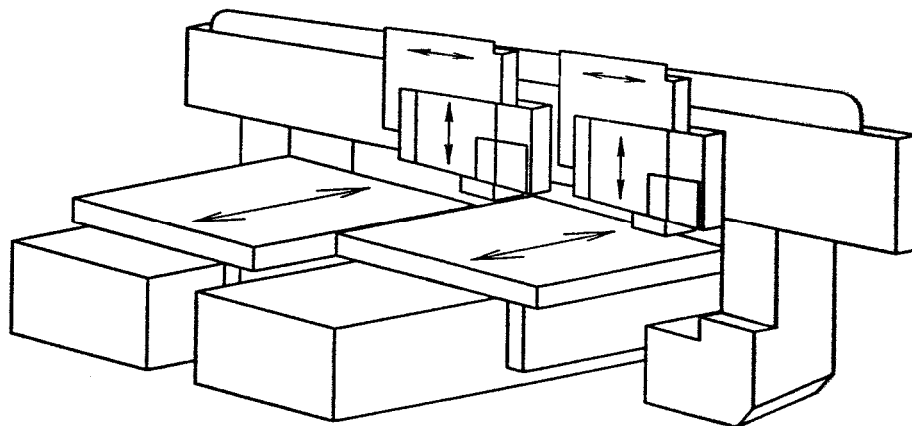
Figure 2 — Example 2 of a portal frame machine (fixed portal, fixed table moving head)



Safeguarding devices are not illustrated.

Figure 3 — Example 3 of an overhead router (moving table)

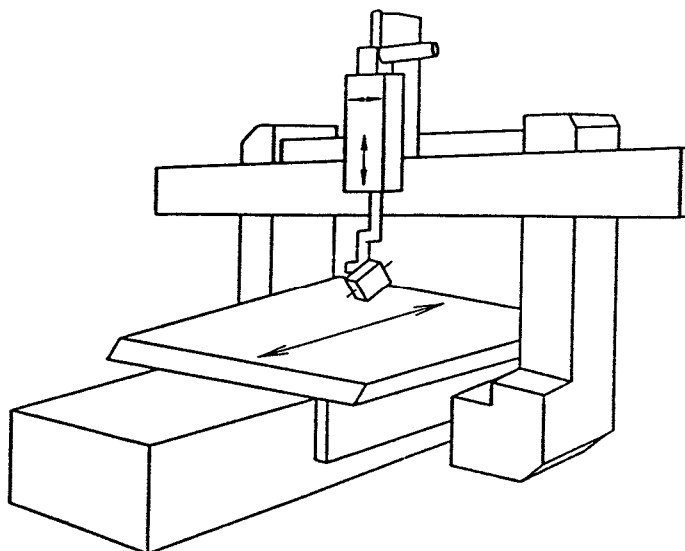
<https://standards.iteh.ai/catalog/standards/sist/c32dd52f-ba04-46d5-aa0d-ba219d32bd05/sist-en-848-3-2007a2-2009>



Safeguarding devices are not illustrated.

Figure 4 — Example 4 of an overhead router (moving tables, fixed portal, and moving heads)

EN 848-3:2007+A2:2009 (E)



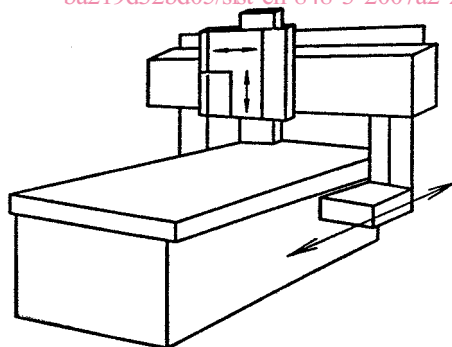
Safeguarding devices are not illustrated

Iteh STANDARD PREVIEW

Figure 5 — Example 5 of a machining centre (moving table, fixed portal, moving head)

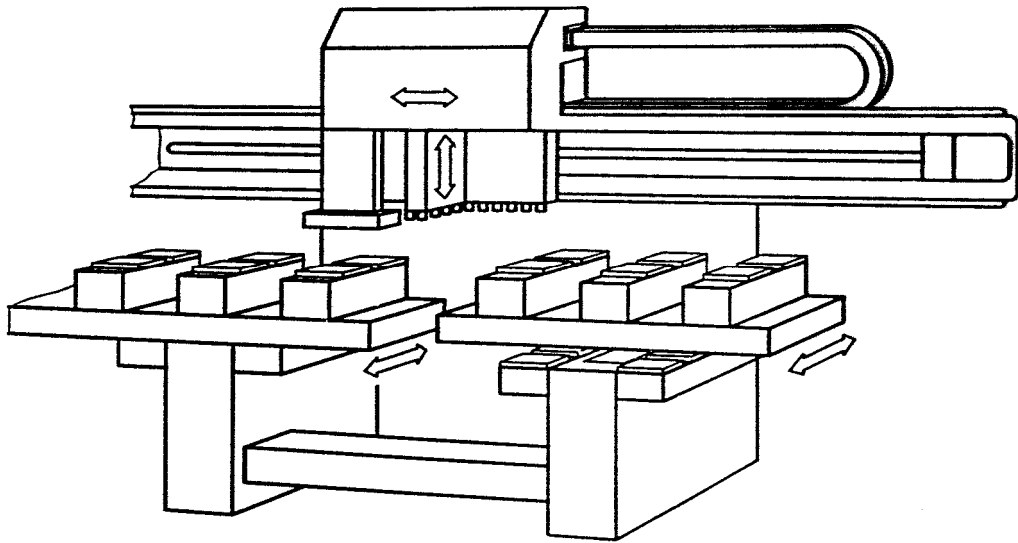
SIST EN 848-3:2007+A2:2009

<https://standards.iteh.ai/catalog/standards/sist/c32dd52f-ba04-46d5-aa0d-ba219d32bd05/sist-en-848-3-2007a2-2009>



Safeguarding devices are not illustrated

Figure 6 — Example 6 of an overhead router (fixed table, moving portal, moving head)



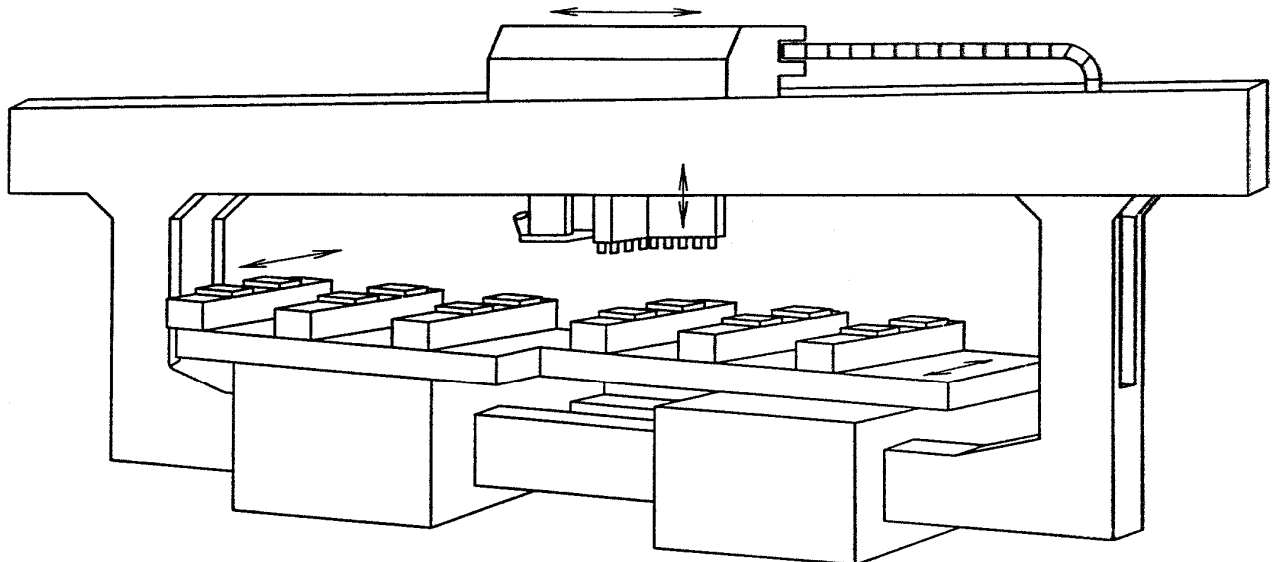
Safeguarding devices are not illustrated

Figure 7 — Example 7 of a C frame boring machine (moving tables, fixed portal, moving heads)

(standards.iteh.ai)

[SIST EN 848-3:2007+A2:2009](https://standards.iteh.ai/catalog/standards/sist/c32dd52f-ba04-46d5-aa0d-ba219d32bd05/sist-en-848-3-2007a2-2009)

<https://standards.iteh.ai/catalog/standards/sist/c32dd52f-ba04-46d5-aa0d-ba219d32bd05/sist-en-848-3-2007a2-2009>



Safeguarding devices are not illustrated

Figure 8 — Example 8 of a portal frame boring machine (moving tables, fixed portal, moving heads)