



# SLOVENSKI STANDARD SIST EN 2240-008:2010

01-februar-2010

---

**Aeronavtika - Žarnice - 008. del: Žarnica, kod 75 - Standard za proizvod**

Aerospace series - Lamps, incandescent - Part 008: Lamp, code 75 - Product standard

Luft- und Raumfahrt - Glühlampen - Teil 008: Lampe, Kode 75 - Produktnorm

Série aérospatiale - Lampes à incandescence - Partie 008: Lampe, code 75 - Norme de produit

**(standards.iteh.ai)**

**Ta slovenski standard je istoveten z: EN 2240-008:2009**

<https://standards.iteh.ai/catalog/standards/sist/6fe42edb-745e-4aa8-8132-5070127cfeb8/sist-en-2240-008-2010>

**ICS:**

49.060 Štejni sistemski inženjerski sistemi za letalstvo in zračne sile  
Aerospace electric equipment and systems

**SIST EN 2240-008:2010**

**en**

**iTeh STANDARD PREVIEW**  
**(standards.iteh.ai)**

SIST EN 2240-008:2010

<https://standards.iteh.ai/catalog/standards/sist/6fe42edb-745e-4aa8-8132-5070127cfeb8/sist-en-2240-008-2010>

EUROPEAN STANDARD

**EN 2240-008**

NORME EUROPÉENNE

EUROPÄISCHE NORM

December 2009

ICS 49.060

English Version

**Aerospace series - Lamps, incandescent - Part 008: Lamp, code  
75 - Product standard**Série aérospatiale - Lampes à incandescence - Partie 008:  
Lampe, code 75 - Norme de produitLuft- und Raumfahrt - Glühlampen - Teil 008: Lampe, Kode  
75 - Produktnorm

This European Standard was approved by CEN on 7 November 2009.

CEN members are bound to comply with the CEN/CENELEC Internal Regulations which stipulate the conditions for giving this European Standard the status of a national standard without any alteration. Up-to-date lists and bibliographical references concerning such national standards may be obtained on application to the CEN Management Centre or to any CEN member.

This European Standard exists in three official versions (English, French, German). A version in any other language made by translation under the responsibility of a CEN member into its own language and notified to the CEN Management Centre has the same status as the official versions.

CEN members are the national standards bodies of Austria, Belgium, Bulgaria, Cyprus, Czech Republic, Denmark, Estonia, Finland, France, Germany, Greece, Hungary, Iceland, Ireland, Italy, Latvia, Lithuania, Luxembourg, Malta, Netherlands, Norway, Poland, Portugal, Romania, Slovakia, Slovenia, Spain, Sweden, Switzerland and United Kingdom.

[SIST EN 2240-008:2010](https://standards.iteh.ai/catalog/standards/sist/6fe42edb-745e-4aa8-8132-5070127cfeb8/sist-en-2240-008-2010)<https://standards.iteh.ai/catalog/standards/sist/6fe42edb-745e-4aa8-8132-5070127cfeb8/sist-en-2240-008-2010>EUROPEAN COMMITTEE FOR STANDARDIZATION  
COMITÉ EUROPÉEN DE NORMALISATION  
EUROPÄISCHES KOMITEE FÜR NORMUNG

Management Centre: Avenue Marnix 17, B-1000 Brussels

## Contents

Foreword.....	3
1 Scope .....	4
2 Normative references .....	4
3 Required characteristics .....	4
3.1 Dimensions and mass .....	4
3.2 Other characteristics .....	5
3.3 Form of filament.....	5
3.4 Cap .....	5
4 Designation .....	5
5 Marking .....	5
6 Technical specification .....	5

## iTeh STANDARD PREVIEW (standards.iteh.ai)

[SIST EN 2240-008:2010](https://standards.iteh.ai/catalog/standards/sist/6fe42edb-745e-4aa8-8132-5070127cfeb8/sist-en-2240-008-2010)

<https://standards.iteh.ai/catalog/standards/sist/6fe42edb-745e-4aa8-8132-5070127cfeb8/sist-en-2240-008-2010>

## Foreword

This document (EN 2240-008:2009) has been prepared by the Aerospace and Defence Industries Association of Europe - Standardization (ASD-STAN).

After enquiries and votes carried out in accordance with the rules of this Association, this Standard has received the approval of the National Associations and the Official Services of the member countries of ASD, prior to its presentation to CEN.

This European Standard shall be given the status of a national standard, either by publication of an identical text or by endorsement, at the latest by June 2010, and conflicting national standards shall be withdrawn at the latest by June 2010.

Attention is drawn to the possibility that some of the elements of this document may be the subject of patent rights. CEN [and/or CENELEC] shall not be held responsible for identifying any or all such patent rights.

According to the CEN/CENELEC Internal Regulations, the national standards organizations of the following countries are bound to implement this European Standard: Austria, Belgium, Bulgaria, Cyprus, Czech Republic, Denmark, Estonia, Finland, France, Germany, Greece, Hungary, Iceland, Ireland, Italy, Latvia, Lithuania, Luxembourg, Malta, Netherlands, Norway, Poland, Portugal, Romania, Slovakia, Slovenia, Spain, Sweden, Switzerland and the United Kingdom.

**ITEH STANDARD PREVIEW**  
**(standards.iteh.ai)**

SIST EN 2240-008:2010

<https://standards.iteh.ai/catalog/standards/sist/6fe42edb-745e-4aa8-8132-5070127cfeb8/sist-en-2240-008-2010>

## EN 2240-008:2009 (E)

## 1 Scope

This European Standard specifies the required characteristics for lamp, code 75, for aerospace applications.

It shall be used together with EN 2756.

## 2 Normative references

The following referenced documents are indispensable for the application of this document. For dated references, only the edition cited applies. For undated references, the latest edition of the referenced document (including any amendments) applies.

EN 2240-001, *Aerospace series — Lamps, incandescent — Part 001: Technical specification*

EN 2240-002, *Aerospace series — Lamps, incandescent — Part 002: Main characteristics*

EN 2241, *Aerospace series — Lamp base — Dimensions*<sup>1)</sup>

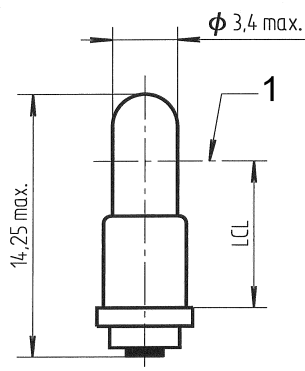
EN 2756, *Aerospace series — Lamps, incandescent — Test methods*

## 3 Required characteristics

### 3.1 Dimensions and mass

See Figure 1 and Table 1.

Dimensions are given in millimetres.



#### Key

1 Light centre

Figure 1

Table 1

Bulb appearance			Clear
Nominal voltage		V	12
Nominal current		A	0,04
Nominal power		W	0,48
Nominal luminous flux		lm	2,1
Colour temperature		K	2 180
Life	Static with d.c.	h	1 000
	Dynamic with d.c.	h	500
	Static with a.c.	h	1 500
Reduced voltage		V	—
Luminous flux at reduced voltage		lm	—
Form of filament			C - 2F
Light Centre Length (LCL)			8 ± 1
Mass (for 1 000)		kg	0,4

1) Published as ASD-STAN Prestandard at the date of publication of this standard.

### 3.2 Other characteristics

See Table 1.

### 3.3 Form of filament

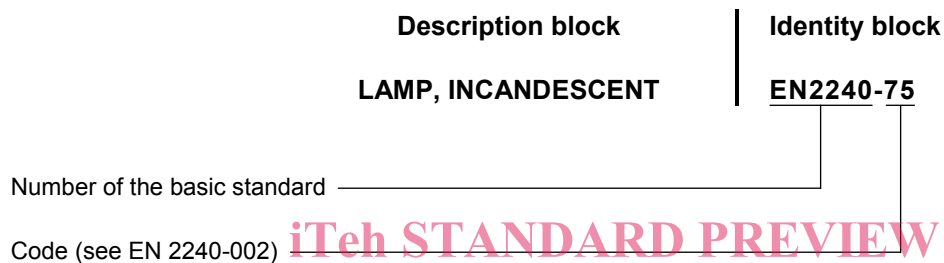
See EN 2240-002.

### 3.4 Cap

SY4s/7: see EN 2241.

## 4 Designation

EXAMPLE



NOTE If necessary, the code I9005 should be placed between the description block and the identity block.

[SIST EN 2240-008:2010](https://standards.iteh.ai/catalog/standards/sist/6fe42edb-745e-4aa8-8132-5070127cfeb8/sist-en-2240-008-2010)

<https://standards.iteh.ai/catalog/standards/sist/6fe42edb-745e-4aa8-8132-5070127cfeb8/sist-en-2240-008-2010>

## 5 Marking

Unless there is not enough space, the lamp and its packaging shall be marked with the international code number such as indicated in EN 2240-002.

## 6 Technical specification

See EN 2240-001.