



Designation: E966 – 04

# Standard Guide for Field Measurements of Airborne Sound Insulation of Building Facades and Facade Elements<sup>1</sup>

This standard is issued under the fixed designation E966; the number immediately following the designation indicates the year of original adoption or, in the case of revision, the year of last revision. A number in parentheses indicates the year of last reapproval. A superscript epsilon ( $\epsilon$ ) indicates an editorial change since the last revision or reapproval.

## INTRODUCTION

The sound transmission of a building facade or facade element as measured under field conditions is dependent not only on the physical characteristics of the facade, but also on the characteristics of the incident sound field used to make the measurement. This is also true for laboratory tests of panels using the two-room method described in Test Method E90; however, the incident sound field in these controlled tests is made uniformly diffuse. The same is approximately true for field measurements of noise reduction and transmission loss by Test Method E336. Such uniformity is not possible for facade measurements in the field where each situation is unique, resulting in incident sound fields that may range all the way from free field produced by a point source to quasi-diffuse produced by a line source.

At this time, there are insufficient data available to specify a single, standard measurement procedure suitable for all field situations. For this reason, this guide provides a number of alternative test procedures for the measurements of facade field level reduction and transmission loss.

## 1. Scope

1.1 This guide covers field procedures for measuring the sound level reduction or sound transmission loss of an installed building facade or facade element in specified frequency bands. These values may be used separately to predict interior levels or combined into a single number such as by Classification E413 (with precautions) or Classification E1332 to estimate the sound insulating properties of the test element, FOITC, in the field. The results are applicable to installations similar to that tested when exposed to an outdoor sound field similar to that used during the measurement.

1.1.1 The facade element may be the exterior wall of a room in the building, or a portion of that wall such as a door or window, when the remainder of that wall has substantially greater sound insulation than the portion under test.

1.2 To cope with the variety of outdoor test geometry that may be encountered, several testing techniques are presented. These techniques and their general applicability are summarized in Table 1 and Figs. 1-6.

1.3 This guide may be used to determine the outdoor-indoor level reduction (OILR), which is the difference in sound pressure between a specified outdoor sound field and the resulting sound pressure level in the room abutting the test

facade or facade element. The outdoor sound field and its measurement must be thoroughly described. The resulting level reduction or transmission loss value will depend on the outdoor field geometry and the point at which it is measured or represented.

1.4 The values stated in SI units are to be regarded as standard. The values given in parentheses are provided for information only.

1.5 *This standard does not purport to address the safety concerns, if any, associated with its use. It is the responsibility of the user of this standard to establish appropriate safety and health practices and determine the applicability of regulatory limitations prior to use.*

## 2. Referenced Documents

### 2.1 ASTM Standards:<sup>2</sup>

- C423 Test Method for Sound Absorption and Sound Absorption Coefficients by the Reverberation Room Method
- C634 Terminology Relating to Building and Environmental Acoustics
- E90 Test Method for Laboratory Measurement of Airborne Sound Transmission Loss of Building Partitions and Elements
- E336 Test Method for Measurement of Airborne Sound

<sup>1</sup> This guide is under the jurisdiction of ASTM Committee E33 on Environmental Acoustics and is the direct responsibility of Subcommittee E33.03 on Transmission.

Current edition approved April 1, 2004. Published April 2004. Originally approved in 1984. Last previous edition approved in 2002 as E966 – 02. DOI: 10.1520/E0966-04.

<sup>2</sup> For referenced ASTM standards, visit the ASTM website, www.astm.org, or contact ASTM Customer Service at service@astm.org. For *Annual Book of ASTM Standards* volume information, refer to the standard's Document Summary page on the ASTM website.

TABLE 1 Application Guide to Measurement of Outdoor-Indoor Level Reduction (OILR) of Facade Elements<sup>4</sup>

Outdoor Signal Source	Outdoor Microphone Position	Calculation Reference Section	Applications Remarks
Calibrated loudspeaker at $\theta = 45^\circ$ from test element	Incident sound pressure inferred from separate calibration of source	8.3.1, Fig. 1; Eq 4	Use when traffic noise is not available or when outdoor measurement at or near facade is not possible.
Loudspeaker at $\theta = 45^\circ$ from test element	Several locations averaged about 1.2 m 2.4 m from the facade element	8.3.2, Fig. 2; Eq 5	Use when calibrated source or flush measurement is not possible.
Loudspeaker at $\theta = 45^\circ$ from test element	Several locations less than 17 mm from facade element	8.3.3, Fig. 3; Eq 6	Use when traffic noise is not available and when loudspeaker cannot be calibrated.
Traffic or equivalent	Simultaneous measurement remote from the facade	9.5.1, Fig. 4; Eq 8	Source far from facade (that is, consistent traffic or aircraft overflights).
Traffic or equivalent, moving parallel with facade	Simultaneous measurement 2 m (79 in.) from facade	9.5.2, Fig. 5; Eq 9	Suitable when facade faces traffic. Smooth or rough facades. OILR and OITL down to 80 Hz.
Traffic or equivalent, moving parallel with facade	Simultaneous measurement less than 17 mm from facade surface	9.5.3, Fig. 6; Eq 10	Smooth or rough facade element test (for example, window, wall air conditioner, etc.); OILR & OITL to 5000 Hz.

<sup>4</sup>See 5.1, 8.3 and 9.2.

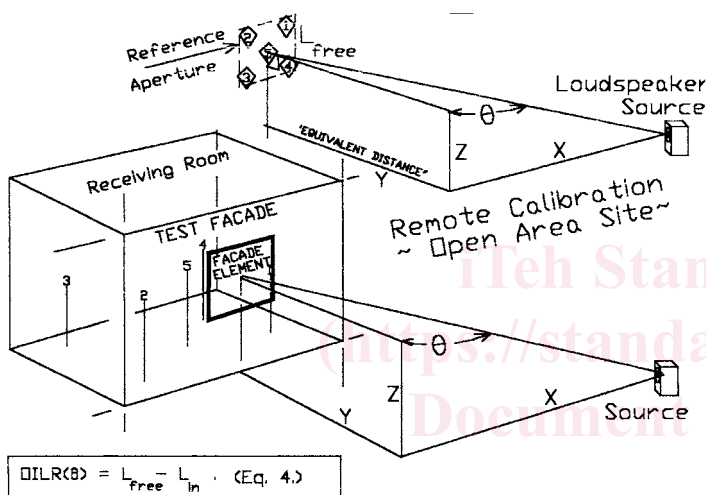


FIG. 1 Geometry—Calibrated Source Method

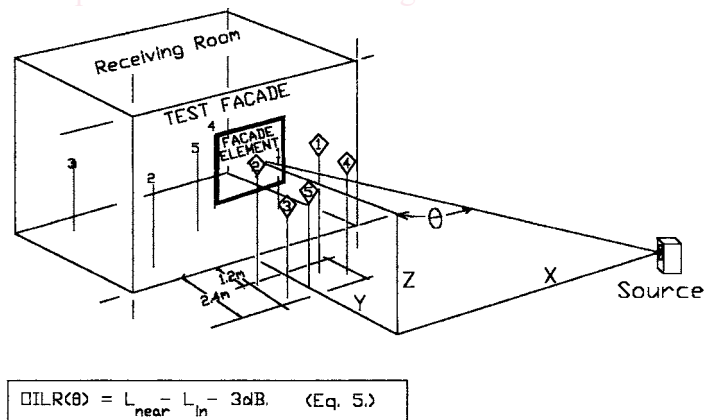


FIG. 2 Geometry—Nearby Average Method

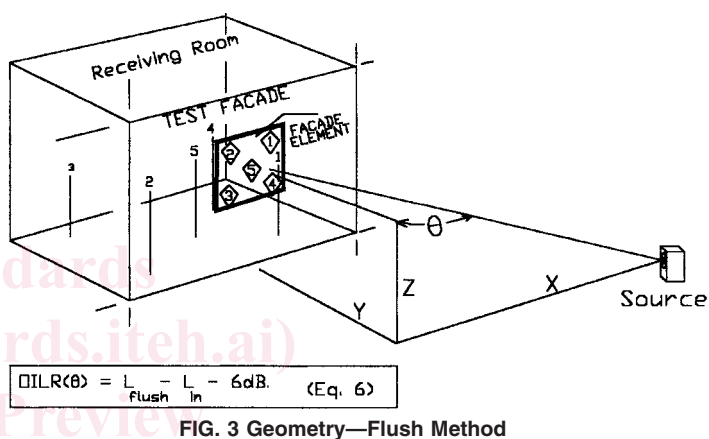


FIG. 3 Geometry—Flush Method

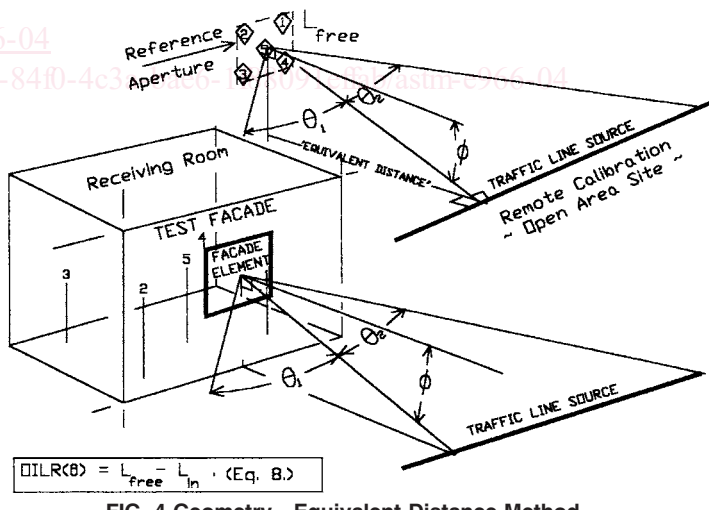


FIG. 4 Geometry—Equivalent Distance Method

- Attenuation between Rooms in Buildings
- E413 Classification for Rating Sound Insulation
- E1332 Classification for Determination of Outdoor-Indoor Transmission Class
- E2235 Test Method for Determination of Decay Rates for Use in Sound Insulation Test Methods

2.2 ANSI Standards:<sup>3</sup>

- S1.4 Specification for Sound Level Meters
- S1.11 Specification for Octave-Band and Fractional-Octave Analog and Digital Filter Sets

<sup>3</sup> Available from the American National Standards Institute, 25 W. 43rd. St., 4th Floor, New York, NY, 10036.

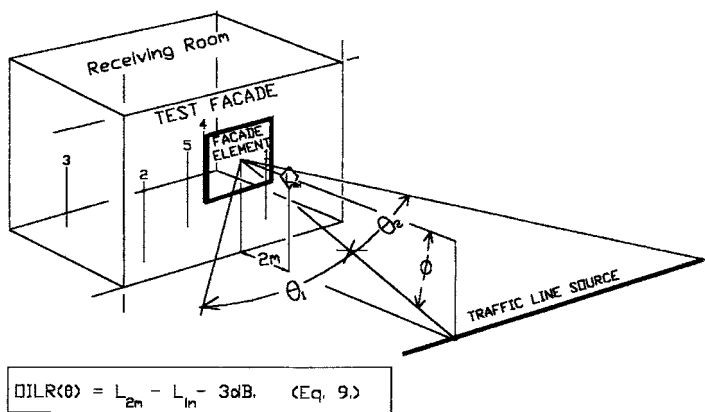


FIG. 5 Geometry—2 m (79 in.) Position Method

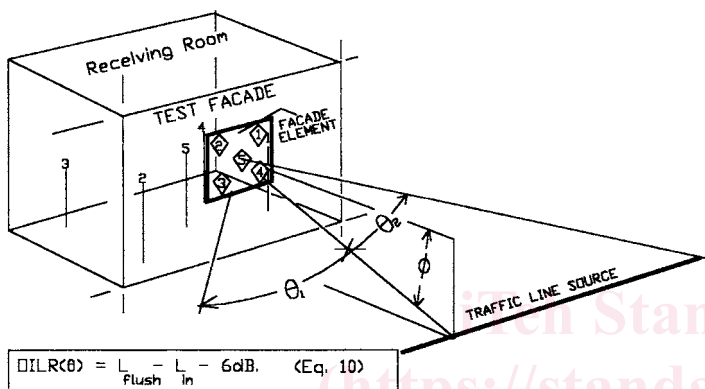


FIG. 6 Geometry and Formulas—Line Source Flush Method

S1.31 Precision Methods for the Determination of Sound Power Levels of Broadband Sources in Reverberation Rooms

- 2.3 IEC Standards:<sup>3</sup>
  - IEC Publication 651—Sound Level Meters
  - IEC Publication 804 Integrating-Averaging Sound Level Meters

3. Terminology

3.1 Definitions—For acoustical terms used in this guide, see Terminology C634.

3.2 Definitions of Terms Specific to This Standard:

3.2.1 apparent outdoor-indoor transmission loss, apparent OITL ( $\theta$ )—the value of outdoor-indoor transmission loss obtained on a test facade element as installed, without flanking tests to identify or eliminate extraneous transmission paths; the apparent OITL is the lower limiting value of the outdoor-indoor transmission loss of the facade element.

3.2.2 coincidence transmission—transmission loss which is especially angular dependent (see 8.2.3.2).

3.2.3 field outside-inside transmission class, FOITC—the single number rating obtained by Classification E413 or E1332 with the OITL values.

3.2.4 outdoor-indoor level reduction, OILR—in a specified frequency band, the difference between the time-averaged exterior sound pressure and the space-time average sound pressure in a room of a building.

3.2.4.1 Discussion—The direct field sound pressure is from a sound source at a specified angle of incidence,  $\theta$ , as defined in Fig. 2, or a range of angles in the case of a moving source, which would be present at the facade of the room, were the building and its facade not present.

3.2.5 outdoor-indoor transmission loss, OITL ( $\theta$ )—of a building facade element in a specified frequency band, ten times the common logarithm of the ratio of airborne sound power per unit area incident on the facade element at a specified angle,  $\theta$ , as defined in Fig. 2, to the sound power transmitted through it and radiated to the interior; the quantity so obtained is expressed in decibels (dB).

3.2.5.1 Discussion—The unqualified term OITL ( $\theta$ ) signifies that flanking tests have been performed according to Annex A1 to verify that there was no significant flanking or leakage transmission. In the absence of such tests, the test result may be termed the apparent OITL (see 3.2.1).

3.2.6 traffic noise—noise emitted by moving transportation vehicles, such as cars, trucks, locomotives, or aircraft.

4. Summary of Guide

4.1 This guide provides procedures to measure the reduction in sound level from the outdoors to an enclosed room. This outside-inside level reduction is a function of angle, OILR ( $\theta$ ), where  $\theta$  is the angle of incidence of the outdoor sound. With further measurements under restricted conditions, a basic property of a facade or facade element, the outdoor-indoor transmission loss, OITL ( $\theta$ ), may be determined. This requires that the conditions of Annex A1 be met to demonstrate that flanking of sound around the test specimen is not significant. If it is not possible to meet the conditions of Annex A1, the apparent OITL ( $\theta$ ) is reported. The OILR ( $\theta$ ) and OITL ( $\theta$ ) may be reported for a range of angles.

4.2 Sources of Test Signal:

4.2.1 The outdoor sound pressure level produced by a loudspeaker source is either inferred from a previous calibration of the level emitted by that loudspeaker at a specific distance, or it is measured near the facade, or it is measured flush to the facade. When the outdoor sound level is measured near the facade, measurements shall be averaged over several locations near the test specimen to minimize effects of incident and reflected sound wave interference.

4.2.2 In the traffic noise method, movement of sources along a line such as a highway or flight path combined with time averaging will minimize interference effects. To account for source fluctuations using the traffic noise method, the incident sound is measured synchronously with the indoor levels.

4.3 To avoid propagation anomalies and extraneous noise sources, the measurements shall be made without precipitation and when the wind speed is less than 5 m/s (11 mph).

4.4 Measurements are preferably conducted in a series of one-third octave band frequencies from at least 80 to 5000 Hz. Octave band data in the same frequency range are optional.

NOTE 1—Where A-weighted OILR values are desired, A-weighted measurements may be used. These values shall be reported as A-weighted.

## 5. Significance and Use

5.1 The OILR and OITL produced by the methods described will not correspond to the transmission loss and noise reduction measured by Test Method E90 and E336 because of the different angular distributions that may exist in the outdoor incident sound fields (1)<sup>4</sup> and the sound intensity distribution across the test facade. Of the three methods cited for measuring the outdoor sound field from a loudspeaker, the free and flush methods are more repeatable. The near method is used only when the free field and the flush methods are not feasible.

5.2 Flanking transmission or unusual field conditions could render the determination of OITL difficult or meaningless. Where the auxiliary tests described in Annex A1 cannot be satisfied, only the apparent OITL or the OILR are to be considered valid.

## 6. Conditions Required to Typify the Characteristics of a Facade Element

6.1 The facade under test is usually the whole segment of exterior wall common to and enclosing one room (the receiving room). A facade element under test would be only a part of that facade. The room selected for test should be surrounded with equal or better construction, with no obvious leakage paths such as open windows in adjacent spaces. Rooms at the top of a multi-story building might be unsuitable for testing because of flanking transmission through the roof. A room at the corner of a building may be undesirable since sound penetrating the adjoining exterior wall may be difficult to assess.

6.2 If a relatively massive facade contains a low-mass element such as a window, the latter could be considered the element under test on the assumption that it transmits a greater amount of incident sound. A decision should be made whether the test element size is to be defined with or without its perimeter joints and framing.

6.3 Flanking measurement according to Annex A1 should be made blocking the element under test as defined in 6.2. This test determines the degree to which sound transmits through the remainder of the facade. The OITL may be computed with the result of Eq A1.1, and so stated in the report according to 13.1.2.

## 7. Properties of the Receiving Room Required to Determine OITL(θ) or Apparent OITL(θ)

7.1 The sound transmitted through the test facade element is measured in an adjacent receiving room. The ratio of the incident power to the power transmitted and radiated into the room is calculated using the space- and time-averaged sound pressure levels and the receiving room absorption.

7.2 *Receiving Room Shape and Volume*—The receiving room must form an enclosed space. For determining the OITL or apparent OITL, the room length, width, and height should be all different with the largest dimension no greater than twice the shortest and the test facade dimensions should be at least 2.3 by 2.4 m (7.5 by 8.0 ft).

7.2.1 The volume of the receiving room determines to a large extent the lowest frequency at which the sound fields are adequately uniform; the larger the room, the lower the limiting frequency. In all cases, the room volume must be reported. It is recommended that the room volume be greater than 50 m<sup>3</sup> (1770 ft<sup>3</sup>) for OITL measurement.

7.3 *Diffusion*—For determining an accurate spatial sound pressure level, it is helpful if the room contains diffusing objects such as hard furniture.

7.4 *Receiving Room Absorption Measurement for Determining OITL (θ)*:

7.4.1 It is preferred that the receiving room should have hard wall, ceiling, and floor surfaces. For furnished rooms, it should be reported whether the absorption exceeds that given by the following equation:

$$A_2 = V^{2/3} \quad (1)$$

where:

$V$  = room volume, m<sup>3</sup> (ft<sup>3</sup>), and

$A_2$  = absorption, m<sup>2</sup>(sabins).

7.4.2 *Measurement of the Receiving Room Absorption, A<sub>2</sub>*:

7.4.2.1 *Reverberation Method (see Test Method E2235)*—

The value of  $A$  is derived from measurements of the rate of decay of sound pressure level in the receiving room, employing a sound source in the receiving room. The Sabine equation leads to the following equation:

$$A_2 = 0.921 V d/c \quad (2)$$

where  $d$  is the rate of decay of reverberant sound in the room, dB/s, measured according to Test Method E2235.

The speed of sound in the receiving room will change with air temperature. It must be calculated, m/s, as follows:

$$c = 20.047\sqrt{273.05 + t} \quad (3)$$

where  $t$  is the air temperature in degrees Celsius.

## 8. OILR and OITL Measurement with a Fixed (Loudspeaker) Source

8.1 *Measurement Site Background Noise*—Indoor and outdoor levels produced by the loudspeaker should be at least 5 dB above the respective background noise levels in all measurement bands. If the level produced by the test loudspeaker is between 5 and 10 dB above the background level, adjustments for background noise must be applied according to Section 10. It may be necessary to conduct measurements during periods of low indoor and outdoor noise to meet these requirements.

8.2 *Generation of Outdoor Sound Field*:

8.2.1 *Loudspeaker Sound Emission Characteristics*—A single loudspeaker enclosure shall be used. Its directional characteristic should be such that at 2000 Hz the free-field radiated sound pressure up to an angle of 45° shall not be more than 6 dB different from the on-axis sound pressure. It must supply sufficient output in all measurement bands over the range from 80 to 5000 Hz.

8.2.2 *Test Signal*—The electrical signal shall consist of random noise filtered in one-third octave (preferred) or octave bands. Filtering may be used in the source system or in the microphone system, or in both. Bands of random noise may exhibit minor fluctuations in level with time. Measurements

<sup>4</sup> The boldface numbers in parentheses refer to a list of references at the end of this standard.

should be averaged over a sufficient time interval to account for source level fluctuations. See 9.4 and Note 5.

8.2.3 *Geometry of the Angle of Incidence*—As shown in Fig. 7, the loudspeaker shall be located at a specified angle of incidence,  $\theta$ , which is the angle between a perpendicular line, OY, at the midpoint of the test facade and the line from that midpoint to the source. In this guide, this angle can lie in any plane, and is calculated according to dimensions and notes given in Fig. 7.

8.2.3.1 When the test objective is to evaluate the performance of a facade element for a particular source location, the test should duplicate the condition of concern as closely as possible. When the test objective is to rate the performance of a variety of facade elements using a single source location, an incident angle of  $45^\circ$  is preferred. If there is a desire to compare results to those obtained in a diffuse sound field, measurements should be made at angles of  $15^\circ$ ,  $30^\circ$ ,  $45^\circ$ , and  $60^\circ$ . The source positions should preferably be in the vertical plane through the center of the facade element and perpendicular to the element. If the facade has major irregularities such as balconies, additional directions may be needed to provide adequate representation of the facade performance. The preferred set of additional source positions are in the horizontal plane through the center of the facade element. If measurements are made at several angles of incidence, the individual values of OITL ( $\theta$ ) should be reported.

8.2.3.2 The incidence angle for test sound is critical for a facade elements exhibiting strong coincidence transmission (2, 3, 4). The angle of least transmission loss (greatest transparency) depends on panel stiffness, panel mass and sound frequency (5).

8.2.4 *Distance of Source from Test Facade Element*—The source shall be far enough from the facade so that the ratio of the distances from the source in the farthest and nearest parts of the test surface is no more than two. The loudspeaker axis shall be directed toward the center of the test element, favoring the more remote edge only as needed to make the sound pressure variation across that element as small as possible, preferably within 3 dB.

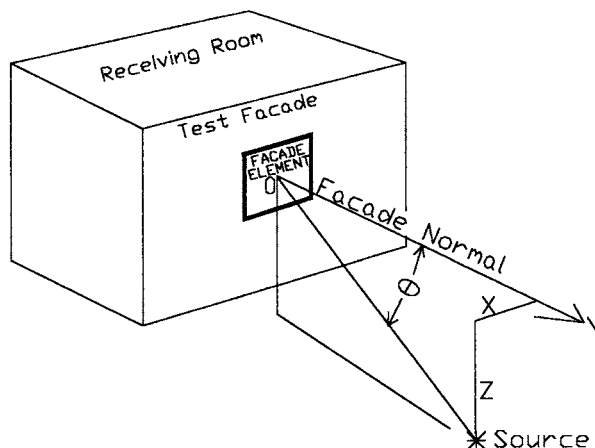
8.3 *Determination of Outdoor Sound Pressure Level:*

8.3.1 *Calibrated Loudspeaker Source Method (Fig. 1)*— This method is feasible when the sound pressure incident on the test facade can be inferred from prior calibration of a source of constant sound such as a loudspeaker.<sup>5</sup> The sound pressure level,  $L$ , measured at an equivalent distance and direction is assumed to also be the sound pressure incident on the facade without the test facade and without reflections from surrounding building components. This source shall be calibrated in a free-field (echo-free) environment, and at the same distance that the source is to be from the facade. Measurements are made of  $L$  at a distance from the source and at an angle from the source (loudspeaker) axis corresponding to the loudspeaker location relative to the test facade (Fig. 1 inset). The test signal input to the source is set to the value that shall be maintained throughout the facade test. This input value should be monitored throughout the test. Appropriate corrections should be applied if necessary. Average the sound pressure level found at five random positions within a reference aperture that corresponds to the facade element under test. See Fig. 1. Each level measurement must be averaged over a sufficient time period (see 8.2.2).

8.3.1.1 The effect of ground and nearby object reflections on the calibration is determined by blocking all known reflection paths with a screen or by applying a sound absorber to nearby surfaces. For purposes of this guide, the calibration site meets the free-field requirement when the  $L$  calibration level does not change by more than 1 dB when the screen(s) and absorber(s) are removed.

NOTE 2—When outdoor measurements made proximate to another building facade are influenced by reflections from that other building, it should be so stated in the test report. This fact is especially important when the test noise source is a calibrated loudspeaker or a traffic source at an equivalent distance.

<sup>5</sup> The sole source of suitable loudspeakers, known to the committee at this time is Brüel & Kjaer, 2815 Colonnades Court, Norcross, GA (Type 4224 Noise Source). If you are aware of alternative suppliers, please provide this information to ASTM Headquarters. Your comments will receive careful consideration at a meeting of the responsible technical committee,<sup>1</sup> which you may attend.



$\theta$  = angle of incidence.

FIG. 7 Source Location (\*) and  $\theta$  Definition

**8.3.2 Outdoor Measurement Near the Facade (Fig. 2)**—Measure the outdoor sound pressure level near the facade. To minimize wave interference effects, average five or more measurements at random distances from the test element, at random positions across the test element, and at varying heights across the test element to meet the requirements of 12.2. The random distances should be in the range of more than 1.2 m and less than 2.5 m (more than 4 ft and less than 8 ft) from the facade. The random positions and random heights should be within the left, right, upper, and lower limits of the test element. If the facade is irregular in shape, see 9.3.2.

**8.3.3 Flush Outdoor Measurement Position (Fig. 3)**—This measurement method is feasible when the facade is smooth and hard or if only one smooth and hard facade element such as a window is under test. Measure the sound pressure with a small condenser microphone 13 mm (1/2 in.) in diameter mounted on or very close to the exterior surface at the midpoint of the test element. The microphone should be within half a diaphragm radius of the surface, but not likely to touch the facade surface or impede the airflow through the microphone grille (see also 11.1.3). It is suggested that up to five measurements about the surface of the test element be averaged.

**NOTE 3**—The outdoor microphone must be closer than one-quarter wavelength from the surface at the highest frequency of interest and the surface absorption must be very low (6). If the microphone is entirely within 17 mm (5/8 in.) of the surface, it provides accurate flush measurements for frequencies at least up to 2500 Hz (0.05 wavelengths) (7).

**8.4 Indoor Sound Pressure Level Determination**—Measure the average sound pressure level in the room with a moving microphone or a set of fixed microphone positions.

**8.4.1** A single moving microphone may be used which moves continuously along a traverse or circular path while satisfying the following conditions:

**8.4.1.1** No microphone position shall be closer than 1 m (39 in.) to the inside surface of the exterior wall or to any other boundary or extended surface,

**8.4.1.2** For a fixed microphone, a minimum of three microphone positions is required, but more positions may be required to achieve the desired precision (see 12.2), and,

**8.4.1.3** The minimum separation of microphone positions should be one-half wavelength or 1 m (39 in.), whichever is less.

**8.4.2** Use of only one microphone position is permissible only for OILR measurements. In this case, it should be located from 1.2 m to 1.5 m (4 ft to 5 ft) above the floor, and its exact location with respect to the facade element under test shall be reported. This procedure is not allowed for OITL measurement.

**8.5 Determination of Outdoor-Indoor Level Reduction (OILR):**

**8.5.1 Calibrated Source Method**—If the incident outdoor level  $L$  has been established by prior calibration as in 8.3.1, the value of OILR is calculated using:

$$OILR(\theta) = L_{free} - L_{in}(\theta) \quad (4)$$

where:

$L_{free}$  = calibrated level,  $L$ , and

$L_{in}(\theta)$  = average sound pressure level in the room enclosed by the test facade, dB, caused by exterior sound incident at angle  $\theta$ , and

$\theta$  = angle of incidence, that is, the angle between the source position and the perpendicular to the test element midpoint, degrees.

**8.5.2 Nearby Microphone Method**—The average outdoor sound pressure level is measured about 2 m (79 in.) from the test facade as described in 8.3.2. The OILR for that angle is calculated using:

$$OILR(\theta) = L_{near} - L_{in}(\theta) - 3 \text{ dB} \quad (5)$$

**8.5.3 Flush Microphone Method**—If the outdoor sound pressure level has been measured very close to the surface as described in 8.3.3, the OILR value for that angle is calculated using:

$$OILR(\theta) = L_{flush} - L_{in}(\theta) - 6 \text{ dB} \quad (6)$$

**8.6 Measurement of OITL**—The OITL ( $\theta$ ) is calculated using:

$$OITL(\theta) = OILR(\theta) + 10 \log(S_{cos}(\theta)/A_2) + 6 \text{ dB} \quad (7)$$

where:

$S$  = area of the test facade element,  $m^2$  ( $ft^2$ ), and

$A_2$  = room absorption determined in 7.4,  $m^2$ (sabins).

This OITL measured at an angle  $\theta$  is valid only for that angle. The OITL cannot be predicted for other angles. To compare the OITL for the facade element with results from Test Method E90, the sound power transmitted at all incidence angles must be measured. An approximation to this is to measure the sound pressure level at several incidence angles. These angles may be chosen to represent equal areas of a hemisphere, so that the resultant squared pressures can be averaged. For three measurement angles, these angles are 34, 60, and 80°. If a uniform angular increment is more convenient, then a weighting factor must be applied to the measured squared pressure at each angle. For instance, for incidence angles of 15, 30, 45, 60, and 75°, the factor that weights each pressure squared measurement according to the hemispherical solid angle of incidence that it represents is respectively 0.08, 0.15, 0.22, 0.26, and 0.29. If measurements are made at 30 and 60°, the corresponding factor is respectively 0.37 and 0.63.

## 9. Measurement with Traffic Noise (8) (or Similar Existing Source)

**9.1** Traffic noise may be used as the source of noise for the measurement of OILR only. OITL shall only be measured using a controlled source, as described in 8.6.

**9.2 Measurement Site (Fig. 8)**—An acceptable traffic noise site is one for which the test facade is parallel to a straight and level traffic route that is long enough to include angles of incidence up to at least 70° in each direction, and in which the vertical angle of incidence is no greater than 20° at the vehicle location nearest the test facade. If these restrictions are not met, the sound incidence angle at traffic closest approach shall be reported, and this OILR shall not be used to typify the general noise isolation performance of the facade or facade element under test. To ensure adequate indoor signal level to measure OILR over the frequency range required by this guide, the