

INTERNATIONAL STANDARD

ISO 9259

First edition
1991-09-15

AMENDMENT 1
2001-07-15

Passenger cars — Windscreen wiper systems — Wiper arm-to-blade connections

AMENDMENT 1

*Voitures particulières — Dispositifs d'essuie-glace — Fixations des balais
d'essuie-glaces sur les porte-balais —*
iTeh STANDARD PREVIEW
(standards.iteh.ai)
AMENDEMENT 1

ISO 9259:1991/Amd 1:2001

<https://standards.iteh.ai/catalog/standards/sist/e4532437-6893-45b9-8cda-22f3e0654c79/iso-9259-1991-amd-1-2001>



Reference number
ISO 9259:1991/Amd.1:2001(E)

© ISO 2001

PDF disclaimer

This PDF file may contain embedded typefaces. In accordance with Adobe's licensing policy, this file may be printed or viewed but shall not be edited unless the typefaces which are embedded are licensed to and installed on the computer performing the editing. In downloading this file, parties accept therein the responsibility of not infringing Adobe's licensing policy. The ISO Central Secretariat accepts no liability in this area.

Adobe is a trademark of Adobe Systems Incorporated.

Details of the software products used to create this PDF file can be found in the General Info relative to the file; the PDF-creation parameters were optimized for printing. Every care has been taken to ensure that the file is suitable for use by ISO member bodies. In the unlikely event that a problem relating to it is found, please inform the Central Secretariat at the address given below.

iTeh STANDARD PREVIEW
(standards.iteh.ai)

[ISO 9259:1991/Amd 1:2001](https://standards.iteh.ai/catalog/standards/sist/e4532437-6893-45b9-8cda-22f3e0654c79/iso-9259-1991-amd-1-2001)

<https://standards.iteh.ai/catalog/standards/sist/e4532437-6893-45b9-8cda-22f3e0654c79/iso-9259-1991-amd-1-2001>

© ISO 2001

All rights reserved. Unless otherwise specified, no part of this publication may be reproduced or utilized in any form or by any means, electronic or mechanical, including photocopying and microfilm, without permission in writing from either ISO at the address below or ISO's member body in the country of the requester.

ISO copyright office
Case postale 56 • CH-1211 Geneva 20
Tel. + 41 22 749 01 11
Fax + 41 22 749 09 47
E-mail copyright@iso.ch
Web www.iso.ch

Printed in Switzerland

Foreword

ISO (the International Organization for Standardization) is a worldwide federation of national standards bodies (ISO member bodies). The work of preparing International Standards is normally carried out through ISO technical committees. Each member body interested in a subject for which a technical committee has been established has the right to be represented on that committee. International organizations, governmental and non-governmental, in liaison with ISO, also take part in the work. ISO collaborates closely with the International Electrotechnical Commission (IEC) on all matters of electrotechnical standardization.

International Standards are drafted in accordance with the rules given in the ISO/IEC Directives, Part 3.

Draft International Standards adopted by the technical committees are circulated to the member bodies for voting. Publication as an International Standard requires approval by at least 75 % of the member bodies casting a vote.

Attention is drawn to the possibility that some of the elements of this Amendment may be the subject of patent rights. ISO shall not be held responsible for identifying any or all such patent rights.

Amendment 1 to International Standard ISO 9259:1991 was prepared by Technical Committee ISO/TC 22, *Road vehicles*, Subcommittee SC 3, *Electrical and electronic equipment*.

iTeh STANDARD PREVIEW (standards.iteh.ai)

[ISO 9259:1991/Amd 1:2001](https://standards.iteh.ai/catalog/standards/sist/e4532437-6893-45b9-8cda-22f3e0654c79/iso-9259-1991-amd-1-2001)

<https://standards.iteh.ai/catalog/standards/sist/e4532437-6893-45b9-8cda-22f3e0654c79/iso-9259-1991-amd-1-2001>

iTeh STANDARD PREVIEW
(standards.iteh.ai)

ISO 9259:1991/Amd 1:2001

<https://standards.iteh.ai/catalog/standards/sist/e4532437-6893-45b9-8cda-22f3e0654c79/iso-9259-1991-amd-1-2001>

Passenger cars — Windscreen wiper systems — Wiper arm-to-blade connections

AMENDMENT 1

Page 1, clause 2

Replace the first sentence in clause 2 with the following:

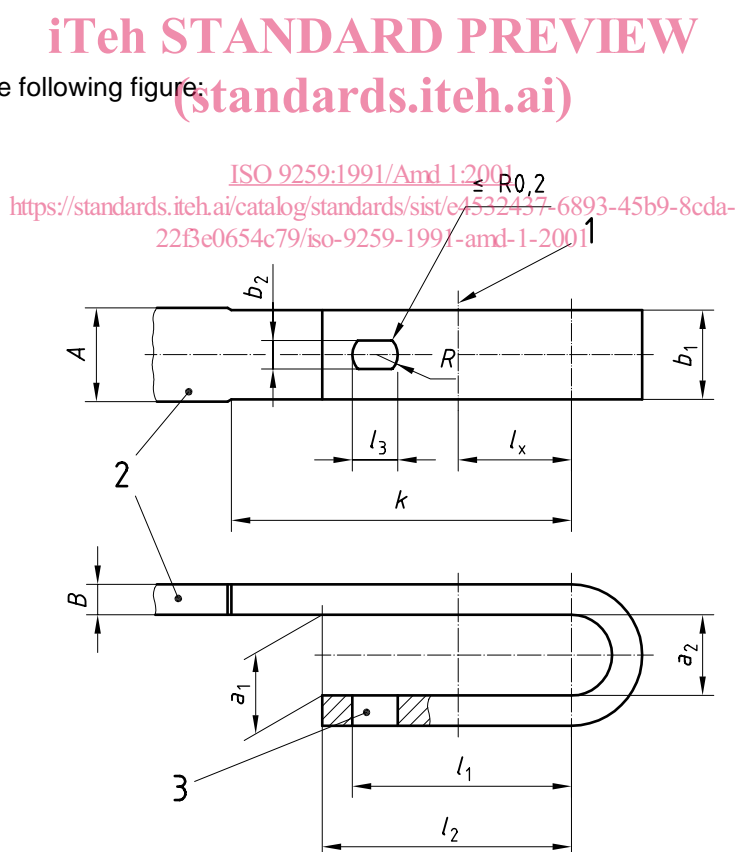
“Types A1, A2, A3, A4 and A5 are the hook type sizes for nominal arm sizes 8 mm × 3 mm, 9 mm × 3 mm, 9 mm × 3,5 mm, 9 mm × 4 mm and 12 mm × 4 mm.”

Amend the heading of 2.1.1 to read:

“2.1.1 Hook dimensions — Types A1, A2, A3, A4 and A5”.

Page 2, Figure 1

Replace Figure 1 with the following figure:



Dimensions in millimetres

Key

- 1 Wiper blade rotational axis
- 2 Wiper arm piece
- 3 Slot for locking lug

Figure 1

Replace Table 1 with the following table:

Table 1

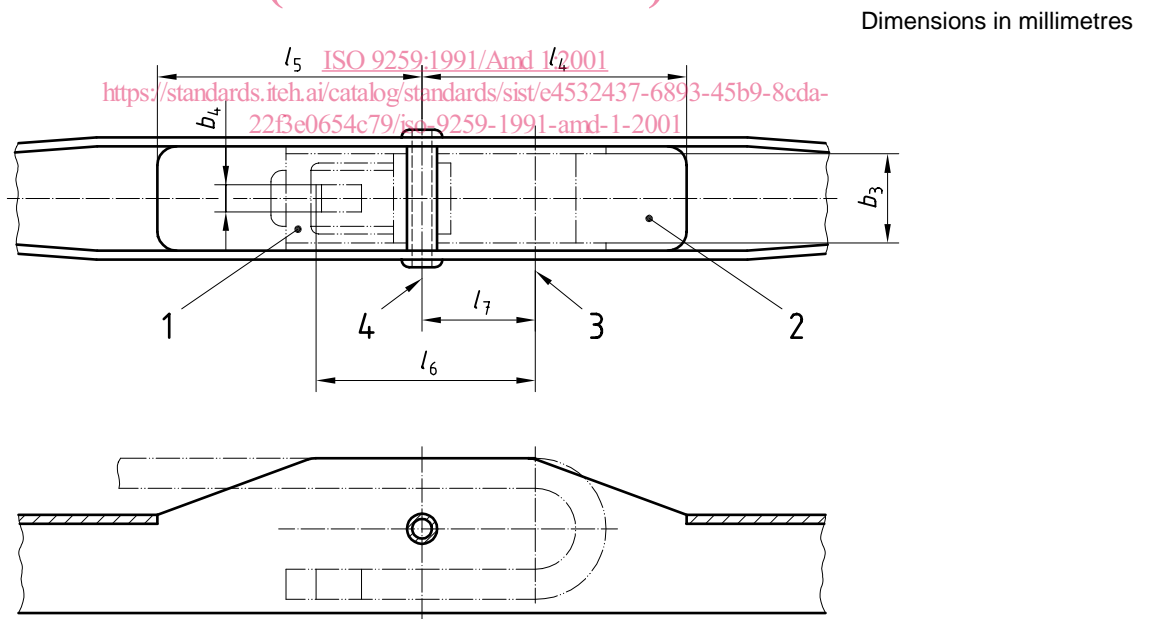
Dimensions in millimetres

Connection type	Nominal arm size (A × B)	a_1	a_2	b_1	b_2^a	l_1^a	l_2^a	l_3^a	l_x	k	R^a
		$+0,8$ 0	H12	0 $-0,15$	min.	$+0,4$ 0	$+0,5$ 0	$\pm 0,3$	$\pm 0,3$	min.	min.
A1	8 × 3	6,7	6,7	7,8	2,8	14	18	6	0	29	2,8
A2	9 × 3			8,8							
A3	9 × 3,5										
A4	9 × 4	10,7	10,7	3,5	24	28	10		40		
A5	12 × 4			11,8	3,8	29	33		15	45	

^a To be measured at the inner side of the hook.

iTeh STANDARD PREVIEW
(standards.iteh.ai)

Replace Figure 2 with the following figure:



Key

- 1 Locking lug
- 2 Centre yoke aperture
- 3 Hook bending axis
- 4 Wiper blade rotational axis

Figure 2

Page 2, 2.1.2

Replace "See figure 2." with "See figure 2 and table 2."

Insert the following new table after table 2:

Table 2

Dimensions in millimetres

Connection type	Nominal arm size (A × B)	b_3	b_4	l_4	l_5	l_6	l_7
		$\begin{matrix} 0 \\ -0,1 \end{matrix}$	max.	min.	min.	$\begin{matrix} 0 \\ -0,4 \end{matrix}$	$\pm 0,3$
A1	8 × 3	7,8	2,5	17	23,5	14	0
A2	9 × 3	8,8					
A3	9 × 3,5						
A4	9 × 4		3,2	28	28	24	10
A5	12 × 4	11,8	3,6	35	35	29	15

Page 4, Annex A

iTeh STANDARD PREVIEW

Delete all reference to "Type B2" from annex A.

(standards.iteh.ai)

ISO 9259:1991/Amd 1:2001

<https://standards.iteh.ai/catalog/standards/sist/e4532437-6893-45b9-8cda-22f3e0654c79/iso-9259-1991-amd-1-2001>

iTeh STANDARD PREVIEW
(standards.iteh.ai)

[ISO 9259:1991/Amd 1:2001](https://standards.iteh.ai/catalog/standards/sist/e4532437-6893-45b9-8cda-22f3e0654c79/iso-9259-1991-amd-1-2001)

<https://standards.iteh.ai/catalog/standards/sist/e4532437-6893-45b9-8cda-22f3e0654c79/iso-9259-1991-amd-1-2001>

ICS 43.040.60

Price based on 3 pages