
Aeronavtika - Vložki, navoj MJ, samozapiralni, s samozagozdnim ključem, iz toplotnoodporne zlitine na nikljevi osnovi NI-PH1302 (Waspaloy), posrebreni

Aerospace series - Inserts, MJ threads, self-locking, with self-broaching keys, in heat resisting nickel base alloy NI-PH1302 (Waspaloy), silver plate

Luft- und Raumfahrt - Gewindeeinsätze, MJ-Gewinden, selbstsichernd, mit selbsträumenden Stiften aus Hochwarmfeste Nickellegierung NI-PH1302 (Waspaloy), Versilbert

(standards.iteh.ai)

Série aérospatiale - Douilles filetéés, à filetage MJ, à freinage interne, à clavettes auto-brochantes, en alliage résistant à chaud à base de nickel NI-PH1302 (Waspaloy), argentées

Ta slovenski standard je istoveten z: EN 4624:2010

ICS:

49.030.10 Navoji Screw threads

SIST EN 4624:2010 **en**

iTeh STANDARD PREVIEW
(standards.iteh.ai)

SIST EN 4624:2010

<https://standards.iteh.ai/catalog/standards/sist/f614418b-9ca3-4c1f-b520-fb17891988db/sist-en-4624-2010>

EUROPEAN STANDARD
NORME EUROPÉENNE
EUROPÄISCHE NORM

EN 4624

April 2010

ICS 49.030.30

English Version

Aerospace series - Inserts, MJ threads, self-locking, with self-broaching keys, in heat resisting nickel base alloy NI-PH1302 (Waspaloy), silver plate

Série aérospatiale - Douilles filetées, à filetage MJ, à freinage interne, à clavettes auto-brochantes, en alliage résistant à chaud à base de nickel NI-PH1302 (Waspaloy), argentées

Luft- und Raumfahrt - Gewindeeinsätze, MJ-Gewinden, selbstsichernd, mit selbsträumenden Stiften, aus Hochwarmfeste Nickellegierung NI-PH1302 (Waspaloy), Versilbert

This European Standard was approved by CEN on 16 January 2010.

CEN members are bound to comply with the CEN/CENELEC Internal Regulations which stipulate the conditions for giving this European Standard the status of a national standard without any alteration. Up-to-date lists and bibliographical references concerning such national standards may be obtained on application to the CEN Management Centre or to any CEN member.

This European Standard exists in three official versions (English, French, German). A version in any other language made by translation under the responsibility of a CEN member into its own language and notified to the CEN Management Centre has the same status as the official versions.

CEN members are the national standards bodies of Austria, Belgium, Bulgaria, Croatia, Cyprus, Czech Republic, Denmark, Estonia, Finland, France, Germany, Greece, Hungary, Iceland, Ireland, Italy, Latvia, Lithuania, Luxembourg, Malta, Netherlands, Norway, Poland, Portugal, Romania, Slovakia, Slovenia, Spain, Sweden, Switzerland and United Kingdom.



EUROPEAN COMMITTEE FOR STANDARDIZATION
COMITÉ EUROPÉEN DE NORMALISATION
EUROPÄISCHES KOMITEE FÜR NORMUNG

Management Centre: Avenue Marnix 17, B-1000 Brussels

Contents

Page

Foreword.....	3
Introduction	4
1 Scope	5
2 Normative references	5
3 Required characteristics	5
3.1 Configuration – Dimensions – Tolerances – Masses.....	5
3.2 Material	6
3.3 Surface treatment	6
4 Insert definition	6
4.1 Normal size insert	6
4.2 First repair size insert	7
4.3 Second repair size insert	8
4.4 Special thread dimensions	8
5 Designation	9
6 Marking and identification.....	9
7 Technical specification	9

ITeH STANDARD PREVIEW
(standards.iteh.ai)

[SIST EN 4624:2010](https://standards.iteh.ai/catalog/standards/sist/f614418b-9ca3-4c1f-b520-fb17891988db/sist-en-4624-2010)

<https://standards.iteh.ai/catalog/standards/sist/f614418b-9ca3-4c1f-b520-fb17891988db/sist-en-4624-2010>

Foreword

This document (EN 4624:2010) has been prepared by the Aerospace and Defence Industries Association of Europe - Standardization (ASD-STAN).

After enquiries and votes carried out in accordance with the rules of this Association, this Standard has received the approval of the National Associations and the Official Services of the member countries of ASD, prior to its presentation to CEN.

This European Standard shall be given the status of a national standard, either by publication of an identical text or by endorsement, at the latest by October 2010, and conflicting national standards shall be withdrawn at the latest by October 2010.

Attention is drawn to the possibility that some of the elements of this document may be the subject of patent rights. CEN [and/or CENELEC] shall not be held responsible for identifying any or all such patent rights.

According to the CEN/CENELEC Internal Regulations, the national standards organizations of the following countries are bound to implement this European Standard: Austria, Belgium, Bulgaria, Croatia, Cyprus, Czech Republic, Denmark, Estonia, Finland, France, Germany, Greece, Hungary, Iceland, Ireland, Italy, Latvia, Lithuania, Luxembourg, Malta, Netherlands, Norway, Poland, Portugal, Romania, Slovakia, Slovenia, Spain, Sweden, Switzerland and the United Kingdom.

ITEH STANDARD PREVIEW
(standards.iteh.ai)

[SIST EN 4624:2010](https://standards.iteh.ai/catalog/standards/sist/f614418b-9ca3-4c1f-b520-fb17891988db/sist-en-4624-2010)

<https://standards.iteh.ai/catalog/standards/sist/f614418b-9ca3-4c1f-b520-fb17891988db/sist-en-4624-2010>

EN 4624:2010 (E)

Introduction

For design and installation procedures, see EN 4620 and EN 4619.

iTeh STANDARD PREVIEW
(standards.iteh.ai)

[SIST EN 4624:2010](#)

<https://standards.iteh.ai/catalog/standards/sist/f614418b-9ca3-4c1f-b520-fb17891988db/sist-en-4624-2010>

1 Scope

This standard specifies the characteristics of self-locking, MJ thread inserts, self-broaching keys, in NI-PH1302, silver plated, for aerospace applications.

Classification: 1 200 MPa ¹⁾ / 800 °C ²⁾

2 Normative references

The following referenced documents are indispensable for the application of this document. For dated references, only the edition cited applies. For undated references, the latest edition of the referenced document (including any amendments) applies.

EN 2424:2008, *Aerospace series — Marking of aerospace products*

EN 2786, *Aerospace series — Electrolytic silver plating of fasteners*

EN 2959, *Aerospace series — Heat resisting alloy NI-PH1302 (NiCr20Co13Mo4Ti3Al) — Solution treated and cold worked — Bar for forged fasteners — $3 \text{ mm} \leq D \leq 30 \text{ mm}$ ³⁾*

EN 3220, *Aerospace series — Heat resisting nickel base alloy (Ni-P101HT) — Cold worked and softened — Bar and wire for continuous forging or extrusion for fasteners — $3 \leq D \leq 30 \text{ mm}$ ³⁾*

EN 4619, *Aerospace series — Inserts, MJ threads, self-locking, with self-broaching keys — Installation and removal procedure*

EN 4620, *Aerospace series — Inserts, MJ threads, self-locking, with self-broaching keys — Design standard*

EN 4621, *Aerospace series — Inserts, MJ threads, self-locking, self-broaching keys — Technical specification*

ISO 5855-1, *Aerospace — MJ threads — Part 1: General requirements*

ISO 5855-2, *Aerospace — MJ threads — Part 2: Limit dimensions for bolts and nuts*

TR 3198, *Aerospace series — Manufacturers' identification monograms and marks for EN aerospace products* ⁴⁾

3 Required characteristics

3.1 Configuration – Dimensions – Tolerances – Masses

See Figure 1 and Tables 1, 2, 3 and 4.

Dimensions and tolerances are in millimetres. They apply after silver plating.

1) Corresponds to the minimum tensile stress which the insert is able to withstand at ambient temperature without breaking or cracking when tested with a bolt of a higher strength class.

2) Maximum temperature that the insert is able to withstand, without permanent alteration to its original characteristics, after ambient temperature has been restored. The maximum temperature is conditioned by the MoS₂ lubricant.

3) Published as ASD Prestandard at the date of publication of this standard.

4) Published as ASD Technical Report at the date of publication of this standard.

EN 4624:2010 (E)

3.2 Material

Insert: EN 3220 or EN 2959 treated for 335 HV to 427 HV.

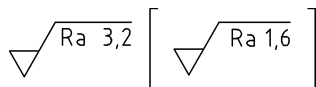
Keys: Stainless steel or Nickel alloy treated for HV > 600.

3.3 Surface treatment

See EN 2786.

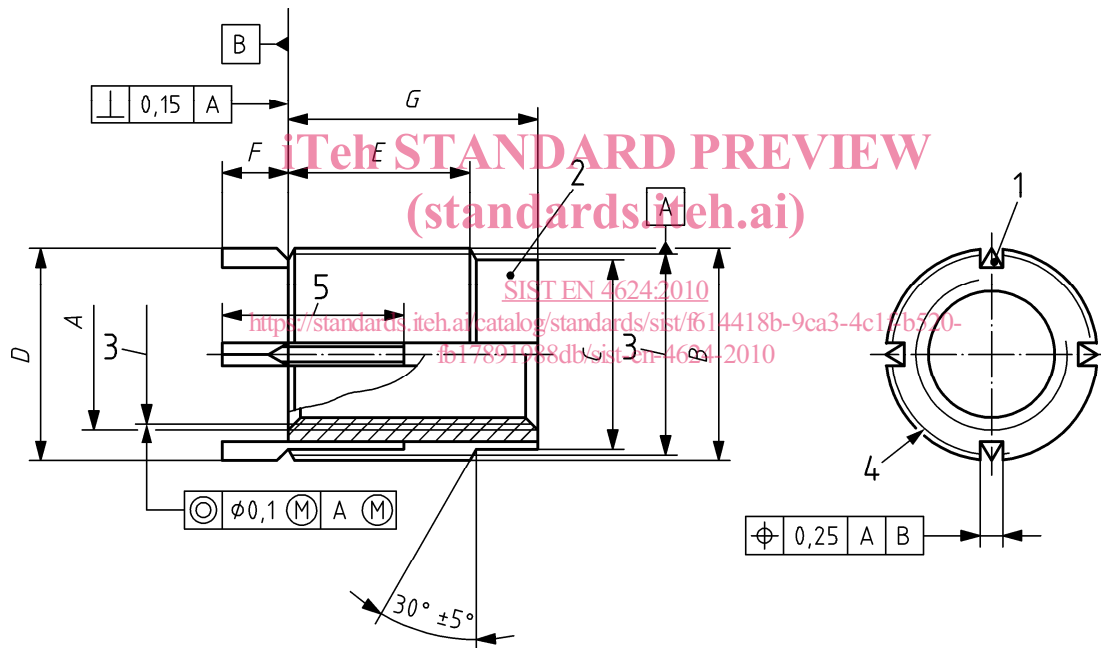
4 Insert definition

See Figure 1.



Values apply after silver plating.

Remove sharp edges 0,1 mm to 0,4 mm.



Key

- 1 N keys equally spaced
- 2 form out-of-round in this area to achieve the self-locking requirement. Mark of tools allowed.
- 3 pitch diameters
- 4 marking area or on keys left to producer's option
- 5 total length of the key shall not exceed E min. Dimensions and location of keys shall meet EN 4624 requirements.

Details of form not stated are left to the producer's discretion.

Figure 1

4.1 Normal size insert

See Table 1.

Table 1

<i>A</i> Internal thread ^a		<i>B</i> External thread ^b	<i>C</i> ^c	<i>D</i>	<i>E</i>	<i>F</i>	<i>G</i>	<i>N</i>	Mass
Code	Designation	Designation	max.	0 - 0,2	max.	0 - 0,2	max.		kg/1 000 parts ≈
050-0	MJ5×0,8-4H6H	MJ9×1-4h6h	7,5	9	5	4,35	8	2	2,3
060-0	MJ6×1-4H5H	MJ10×1-4h6h	8,5	10	6,5		10	2	3,4
070-0	MJ7×1-4H5H	MJ11×1-4h6h	9,5	11	8		11,5	2	4,5
080-0	MJ8×1-4H5H	MJ12×1-4h6h	10,5	12	9,5		13,5	4	5,9
100-0	MJ10×1,25-4H5H	MJ14×1-4h6h	12,5	14	12		16,5	4	9,2
^a In accordance with ISO 5855-2. ^b In accordance with ISO 5855-1. ^c After deformation.									

4.2 First repair size insert

See Table 2.

Table 2

<i>A</i> Internal thread ^a		<i>B</i> External thread ^b	<i>C</i> ^c	<i>D</i>	<i>E</i>	<i>F</i>	<i>G</i>	<i>N</i>	Mass
Code	Designation	Designation	max.	0 - 0,2	max.	0 - 0,2	max.		kg/1 000 parts ≈
050-1	MJ5×0,8-4H6H	MJ10×1-4h6h	7,5	10	5	4,35	8	2	2,8
060-1	MJ6×1-4H5H	MJ11×1-4h6h	8,5	11	6,5		10	2	4,2
070-1	MJ7×1-4H5H	MJ12×1-4h6h	9,5	12	8		11,5	2	5,6
080-1	MJ8×1-4H5H	MJS13×1-4h6h	10,5	13	9,5		13,5	4	7,4
100-1	MJ10×1,25-4H5H	MJ15×1-4h6h	12,5	15	12		16,5	4	11,3
^a In accordance with ISO 5855-2. ^b In accordance with ISO 5855-1 except MJS13×1-4h6h thread which shall be in accordance with Table 4. ^c After deformation.									