



SLOVENSKI STANDARD
SIST EN ISO 9100-2:2006/AC:2010
01-februar-2010

Steklena embalaža - Grla za vakuumsko zapiranje - 2. del: 33, srednje - Popravek AC (ISO 9100-2:2005/Cor 1:2009)

Glass containers - Vacuum lug finishes - Part 2: 33 medium - Technical Corrigendum 1 (ISO 9100-2:2005/Cor 1:2009)

Glasbehälter - Vakuum-Nockenverschluss-Mündung - Teil 2: 33 medium (ISO 9100-2:2005/Cor 1:2009)

iTeh STANDARD PREVIEW
(standards.iteh.ai)

Réipients en verre - Bagues à crans pour bouchage sous vide - Partie 2: 33 medium - Rectificatif technique 1 (ISO 9100-2:2005/Cor 1:2009)

<https://standards.iteh.ai/catalog/standards/sist/8ce3f93f-c478-4e53-a90b-50c40dbd2431/sist-en-iso-9100-2-2006-ac-2010>

Ta slovenski standard je istoveten z: EN ISO 9100-2:2005/AC:2009

ICS:

55.100 Steklenice. Lonci. Kozarci Bottles. Pots. Jars

SIST EN ISO 9100-2:2006/AC:2010 en,fr,de

iTeh STANDARD PREVIEW
(standards.iteh.ai)

[SIST EN ISO 9100-2:2006/AC:2010](https://standards.iteh.ai/catalog/standards/sist/8ce3f93f-c478-4e53-a90b-50c40dbd2431/sist-en-iso-9100-2-2006-ac-2010)

<https://standards.iteh.ai/catalog/standards/sist/8ce3f93f-c478-4e53-a90b-50c40dbd2431/sist-en-iso-9100-2-2006-ac-2010>

EUROPEAN STANDARD

EN ISO 9100-2:2005/AC

NORME EUROPÉENNE

November 2009

EUROPÄISCHE NORM

Novembre 2009

November 2009

ICS 55.100

English version
Version Française
Deutsche Fassung

Glass containers - Vacuum lug finishes - Part 2: 33 medium - Technical
Corrigendum 1 (ISO 9100-2:2005/Cor 1:2009)

Réipients en verre - Bagues à crans pour
bouchage sous vide - Partie 2: 33 medium -
Rectificatif technique 1 (ISO 9100-
2:2005/Cor 1:2009)

Glasbehälter - Vakuum-Nockenverschluss-
Mündung - Teil 2: 33 medium (ISO 9100-
2:2005/Cor 1:2009)

This corrigendum becomes effective on 15 November 2009 for incorporation in the three official language versions of the EN.

iTeh STANDARD PREVIEW

Ce corrigendum prendra effet le 15 novembre 2009 pour incorporation dans les trois versions linguistiques officielles de la EN. (standards.iteh.ai)

Die Berichtigung tritt am 15. November 2009 zur Einarbeitung in die drei offiziellen Sprachfassungen der EN in Kraft. (<https://standards.iteh.ai/catalog/standards/sist/8ce3f93f-c478-4e53-a90b-50c40dbd2431/sist-en-iso-9100-2-2006-ac-2010>)



EUROPEAN COMMITTEE FOR STANDARDIZATION
COMITÉ EUROPÉEN DE NORMALISATION
EUROPÄISCHES KOMITEE FÜR NORMUNG

Management Centre: Avenue Marnix 17, B-1000 Brussels

© 2009 CEN All rights of exploitation in any form and by any means reserved worldwide for CEN national Members.
Tous droits d'exploitation sous quelque forme et de quelque manière que ce soit réservés dans le monde entier aux membres nationaux du CEN.
Alle Rechte der Verwertung, gleich in welcher Form und in welchem Verfahren, sind weltweit den nationalen Mitgliedern von CEN vorbehalten.

Ref. No.: EN ISO 9100-2:2005/AC:2009 D/E/F

EN ISO 9100-2:2005/AC:2009 (E)

Foreword

This document (EN ISO 9100-2:2005/AC:2009) has been prepared by Technical Committee ISO/TC 63 "Glass containers" in collaboration with Technical Committee CEN/TC 261 "Packaging" the secretariat of which is held by AFNOR.

Endorsement notice

The text of ISO 9100-2:2005/Cor 1:2009 has been approved by CEN as a EN ISO 9100-2:2005/AC:2009 without any modification.

iTeh STANDARD PREVIEW
(standards.iteh.ai)

[SIST EN ISO 9100-2:2006/AC:2010](https://standards.iteh.ai/catalog/standards/sist/8ce3f93f-c478-4e53-a90b-50c40dbd2431/sist-en-iso-9100-2-2006-ac-2010)

<https://standards.iteh.ai/catalog/standards/sist/8ce3f93f-c478-4e53-a90b-50c40dbd2431/sist-en-iso-9100-2-2006-ac-2010>



INTERNATIONAL STANDARD ISO 9100-2:2005
TECHNICAL CORRIGENDUM 1

Published 2009-11-15

INTERNATIONAL ORGANIZATION FOR STANDARDIZATION • МЕЖДУНАРОДНАЯ ОРГАНИЗАЦИЯ ПО СТАНДАРТИЗАЦИИ • ORGANISATION INTERNATIONALE DE NORMALISATION

Glass containers — Vacuum lug finishes —

Part 2:
33 medium

TECHNICAL CORRIGENDUM 1

Récipients en verre — Bagues à crans pour bouchage sous vide —

Partie 2: 33 medium

RECTIFICATIF TECHNIQUE 1

ITeH STANDARD PREVIEW
(standards.iteh.ai)

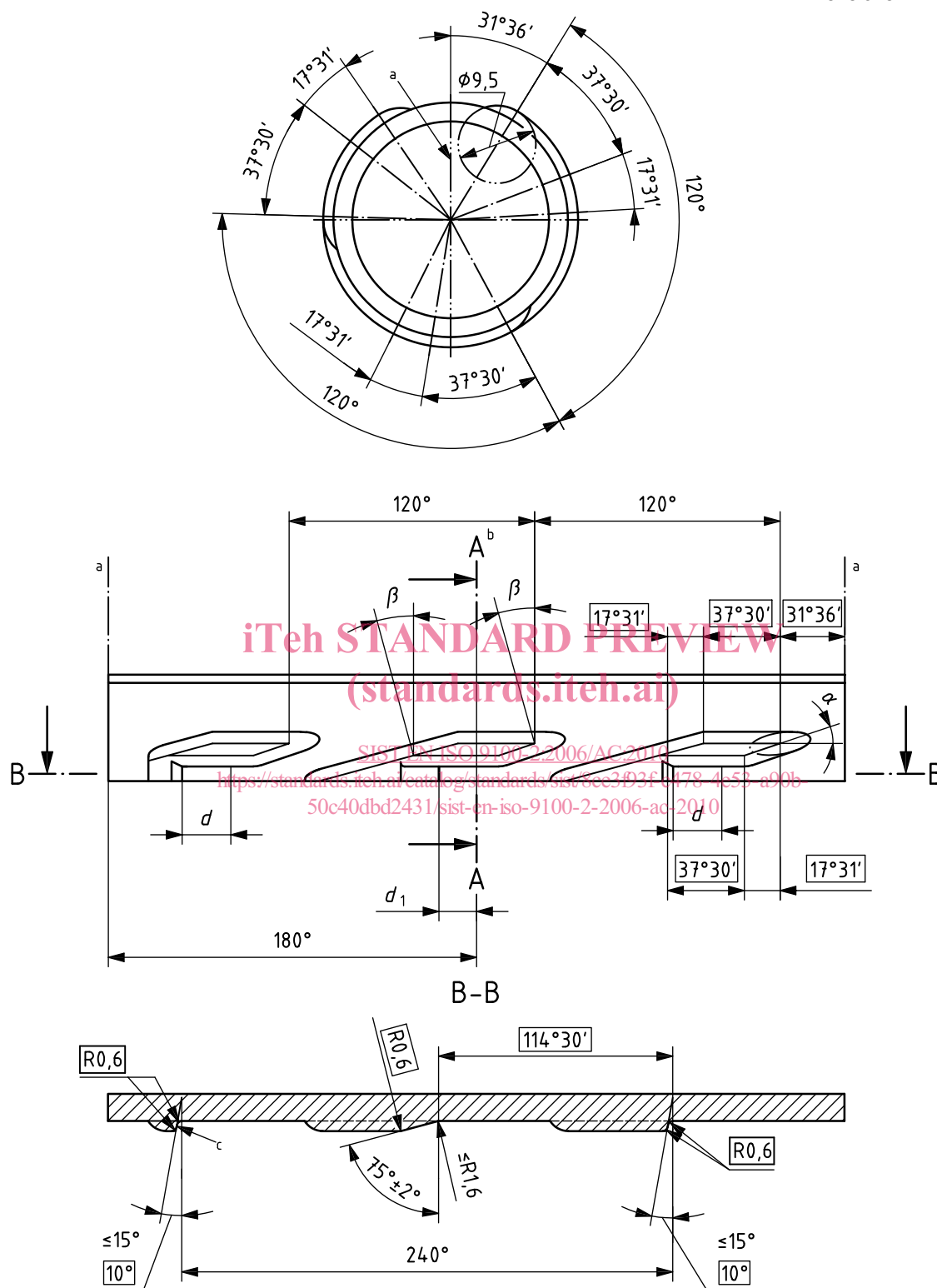
[SIST EN ISO 9100-2:2006/AC:2010](https://standards.iteh.ai/catalog/standards/sist/8cc3f93f-c478-4e53-a90b-354f7c12631/iso-9100-2-2005-ac-2010)

Technical Corrigendum 1 to ISO 9100-2:2005 was prepared by the European Committee for Standardization (CEN) Technical Committee CEN/TC 261, *Packaging*, in collaboration with Technical Committee ISO/TC 63, *Glass containers*, in accordance with the Agreement on technical cooperation between ISO and CEN (Vienna Agreement).

Page 2, Figure 1

Replace Figure 1 with the following figure. (In the enlarged view section B-B, the arrow for footnote “c” has been moved to the right of the stop face.)

Dimensions in millimetres



- a Parting line.
- b See Figure 2.
- c The stop faces on the leads have a cap stopping function. Thus they shall be sharp-edged and as perpendicular to the E-wall as possible. The radii of the stop faces should be the same as of the mould. A punctual replacement of moulds is necessary to prevent worn contours.

Figure 1 — Thread construction and enlarged view section B-B