



SLOVENSKI STANDARD
SIST EN 301 908-13 V5.2.1:2011
01-junij-2011

**Celična omrežja IMT - Harmonizirani EN, ki zajema bistvene zahteve člena 3.2
direktive R&TTE - 13. del: Uporabniška oprema za razviti prizemni radijski dostop
za UMTS (E-UTRA)**

IMT cellular networks - Harmonized EN covering the essential requirements of article 3.2
of the R&TTE Directive - Part 13: Evolved Universal Terrestrial Radio Access (E-UTRA)
User Equipment (UE)

iTeh STANDARD PREVIEW
(standards.iteh.ai)

[SIST EN 301 908-13 V5.2.1:2011](https://standards.iteh.ai/catalog/standards/sist/fl-da56ed-5d09-4954-9d53-0dbd3b22dcd3/sist-en-301-908-13-v5-2-1-2011)

[https://standards.iteh.ai/catalog/standards/sist/fl-da56ed-5d09-4954-9d53-](https://standards.iteh.ai/catalog/standards/sist/fl-da56ed-5d09-4954-9d53-0dbd3b22dcd3/sist-en-301-908-13-v5-2-1-2011)

[0dbd3b22dcd3/sist-en-301-908-13-v5-2-1-2011](https://standards.iteh.ai/catalog/standards/sist/fl-da56ed-5d09-4954-9d53-0dbd3b22dcd3/sist-en-301-908-13-v5-2-1-2011)

Ta slovenski standard je istoveten z: EN 301 908-13 Version 5.2.1

ICS:

33.060.99	Druga oprema za radijske komunikacije	Other equipment for radiocommunications
33.100.01	Elektromagnetna združljivost na splošno	Electromagnetic compatibility in general

SIST EN 301 908-13 V5.2.1:2011 **en**

iTeh STANDARD PREVIEW
(standards.iteh.ai)

[SIST EN 301 908-13 V5.2.1:2011](https://standards.iteh.ai/catalog/standards/sist/fl-da56ed-5d09-4954-9d53-0dbd3b22ded3/sist-en-301-908-13-v5-2-1-2011)

<https://standards.iteh.ai/catalog/standards/sist/fl-da56ed-5d09-4954-9d53-0dbd3b22ded3/sist-en-301-908-13-v5-2-1-2011>

ETSI EN 301 908-13 V5.2.1 (2011-05)

Harmonized European Standard

**IMT cellular networks;
Harmonized EN covering the essential requirements
of article 3.2 of the R&TTE Directive;
Part 13: Evolved Universal Terrestrial Radio Access (E-UTRA)
User Equipment (UE)**

**iTeh STANDARD PREVIEW
(standards.iteh.ai)**

[SIST EN 301 908-13 V5.2.1:2011](https://standards.iteh.ai/catalog/standards/sist/fl-da56ed-5d09-4954-9d53-0dbd3b22dcd3/sist-en-301-908-13-v5-2-1-2011)

<https://standards.iteh.ai/catalog/standards/sist/fl-da56ed-5d09-4954-9d53-0dbd3b22dcd3/sist-en-301-908-13-v5-2-1-2011>



Reference

REN/MSG-TFES-008-13

Keywords

3G, 3GPP, cellular, digital, E-UTRA, IMT, IMT-2000, LTE, mobile, radio, regulation, UMTS

ETSI

650 Route des Lucioles
F-06921 Sophia Antipolis Cedex - FRANCE

Tel.: +33 4 92 94 42 00 Fax: +33 4 93 65 47 16

Siret N° 348 623 562 00017 - NAF 742 C
Association à but non lucratif enregistrée à la
Sous-Préfecture de Grasse (06) N° 7803/88

iTeh STANDARD PREVIEW
(standards.iteh.ai)

SIST EN 301 908-13 V5.2.1:2011

<https://standards.iteh.ai/catalog/standards/sist/fl da56ed-5d09-4954-9d53-0dbd3b22dc77/etsi-en-301-908-13-v5-2-1-2011>
Important notice

Individual copies of the present document can be downloaded from:

<http://www.etsi.org>

The present document may be made available in more than one electronic version or in print. In any case of existing or perceived difference in contents between such versions, the reference version is the Portable Document Format (PDF). In case of dispute, the reference shall be the printing on ETSI printers of the PDF version kept on a specific network drive within ETSI Secretariat.

Users of the present document should be aware that the document may be subject to revision or change of status. Information on the current status of this and other ETSI documents is available at

<http://portal.etsi.org/tb/status/status.asp>

If you find errors in the present document, please send your comment to one of the following services:

http://portal.etsi.org/chaicor/ETSI_support.asp

Copyright Notification

No part may be reproduced except as authorized by written permission.
The copyright and the foregoing restriction extend to reproduction in all media.

© European Telecommunications Standards Institute 2011.
All rights reserved.

DECT™, **PLUGTESTS™**, **UMTS™**, **TIPHON™**, the TIPHON logo and the ETSI logo are Trade Marks of ETSI registered for the benefit of its Members.

3GPP™ is a Trade Mark of ETSI registered for the benefit of its Members and of the 3GPP Organizational Partners.

LTE™ is a Trade Mark of ETSI currently being registered

for the benefit of its Members and of the 3GPP Organizational Partners.

GSM® and the GSM logo are Trade Marks registered and owned by the GSM Association.

Contents

Intellectual Property Rights	6
Foreword.....	6
Introduction	7
1 Scope	8
2 References	8
2.1 Normative references	8
2.2 Informative references.....	9
3 Definitions, symbols and abbreviations	9
3.1 Definitions	9
3.2 Symbols.....	10
3.3 Abbreviations	12
4 Technical requirements specifications	12
4.1 Environmental profile.....	12
4.2 Conformance requirements	12
4.2.1 Introduction.....	13
4.2.2 Transmitter Maximum Output Power	13
4.2.2.1 Definition	13
4.2.2.2 Limits	13
4.2.2.3 Conformance.....	14
4.2.3 Transmitter Spectrum Emission Mask.....	14
4.2.3.1 Definition	14
4.2.3.2 Limits	14
4.2.3.3 Conformance.....	14
4.2.4 Transmitter Spurious Emissions.....	14
4.2.4.1 Definition	14
4.2.4.2 Limits	14
4.2.4.3 Conformance.....	16
4.2.5 Transmitter Minimum Output Power.....	16
4.2.5.1 Definition	16
4.2.5.2 Limits	16
4.2.5.3 Conformance.....	16
4.2.6 Receiver Adjacent Channel Selectivity (ACS)	16
4.2.6.1 Definition	16
4.2.6.2 Limits	16
4.2.6.3 Conformance.....	17
4.2.7 Receiver Blocking Characteristics	17
4.2.7.1 Definition	17
4.2.7.2 Limits	18
4.2.7.3 Conformance.....	19
4.2.8 Receiver Spurious Response.....	19
4.2.8.1 Definition	19
4.2.8.2 Limits	19
4.2.8.3 Conformance.....	20
4.2.9 Receiver Intermodulation Characteristics	20
4.2.9.1 Definition	20
4.2.9.2 Limits	20
4.2.9.3 Conformance.....	20
4.2.10 Receiver Spurious Emissions.....	21
4.2.10.1 Definition	21
4.2.10.2 Limits	21
4.2.10.3 Conformance.....	21
4.2.11 Transmitter Adjacent Channel Leakage Power Ratio	21
4.2.11.1 Definition	21

4.2.11.2	Limits	21
4.2.11.3	Conformance	22
5	Testing for compliance with technical requirements.....	22
5.1	Environmental conditions for testing	22
5.2	Interpretation of the measurement results	23
5.3	Essential radio test suites.....	24
5.3.1	Transmitter Maximum Output Power	24
5.3.1.1	Method of test	24
5.3.1.1.1	Initial conditions	24
5.3.1.1.2	Procedure.....	24
5.3.1.2	Test requirements	24
5.3.2	Transmitter Spectrum Emission Mask.....	24
5.3.2.1	Method of test	24
5.3.2.1.1	Initial conditions	24
5.3.2.1.2	Procedure.....	25
5.3.2.2	Test requirements.....	25
5.3.3	Transmitter Spurious Emissions	25
5.3.3.1	Method of test	25
5.3.3.1.1	Initial conditions	25
5.3.3.1.2	Procedure.....	26
5.3.3.2	Test requirements.....	26
5.3.4	Transmitter Minimum Output Power.....	26
5.3.4.1	Method of test	26
5.3.4.1.1	Initial conditions	26
5.3.4.1.2	Procedure.....	26
5.3.4.2	Test requirements.....	27
5.3.5	Receiver Adjacent Channel Selectivity (ACS)	27
5.3.5.1	Method of test	27
5.3.5.1.1	Initial conditions	27
5.3.5.1.2	Procedure.....	27
5.3.5.2	Test requirements.....	28
5.3.6	Receiver Blocking Characteristics	28
5.3.6.1	Method of test	28
5.3.6.1.1	Initial requirements.....	28
5.3.6.1.2	In-Band Procedure.....	28
5.3.6.1.3	Out-Of-Band Procedure.....	29
5.3.6.1.4	Narrow-Band Procedure	29
5.3.6.2	Test requirements.....	29
5.3.7	Receiver Spurious Response.....	30
5.3.7.1	Method of test	30
5.3.7.1.1	Initial conditions	30
5.3.7.1.2	Procedure.....	30
5.3.7.2	Test requirements.....	30
5.3.8	Receiver Intermodulation Characteristics	30
5.3.8.1	Method of test	30
5.3.8.1.1	Initial conditions	30
5.3.8.1.2	Procedure.....	31
5.3.8.2	Test requirements.....	31
5.3.9	Receiver Spurious Emissions.....	31
5.3.9.1	Method of test	31
5.3.9.1.1	Procedure.....	31
5.3.9.2	Test requirements.....	32
5.3.10	Transmitter Adjacent Channel Leakage Power Ratio	32
5.3.10.1	Method of test	32
5.3.10.1.1	Initial conditions	32
5.3.10.1.2	Procedure.....	32
5.3.10.2	Test requirements.....	33
Annex A (normative):	HS Requirements and conformance Test specifications Table	
	(HS-RTT).....	34

Annex B (normative):	Environmental profile	36
B.1	General	36
B.1.1	Introduction	36
B.1.2	Temperature	36
B.1.3	Voltage	36
B.1.4	Test environment.....	37
Annex C (informative):	The EN title in the official languages	38
Annex D (informative):	Bibliography.....	39
History		40

iTeh STANDARD PREVIEW (standards.iteh.ai)

[SIST EN 301 908-13 V5.2.1:2011](https://standards.iteh.ai/catalog/standards/sist/fl-da56ed-5d09-4954-9d53-0dbd3b22dcd3/sist-en-301-908-13-v5-2-1-2011)

<https://standards.iteh.ai/catalog/standards/sist/fl-da56ed-5d09-4954-9d53-0dbd3b22dcd3/sist-en-301-908-13-v5-2-1-2011>

Intellectual Property Rights

IPRs essential or potentially essential to the present document may have been declared to ETSI. The information pertaining to these essential IPRs, if any, is publicly available for **ETSI members and non-members**, and can be found in ETSI SR 000 314: *"Intellectual Property Rights (IPRs); Essential, or potentially Essential, IPRs notified to ETSI in respect of ETSI standards"*, which is available from the ETSI Secretariat. Latest updates are available on the ETSI Web server (<http://webapp.etsi.org/IPR/home.asp>).

Pursuant to the ETSI IPR Policy, no investigation, including IPR searches, has been carried out by ETSI. No guarantee can be given as to the existence of other IPRs not referenced in ETSI SR 000 314 (or the updates on the ETSI Web server) which are, or may be, or may become, essential to the present document.

Foreword

This Harmonized European Standard (EN) has been produced by ETSI Technical Committee Mobile Standards Group (MSG).

The present document has been produced by ETSI in response to mandate M/284 from the European Commission issued under Council Directive 98/34/EC [i.1] (as amended) laying down a procedure for the provision of information in the field of technical standards and regulations.

The title and reference to the present document are intended to be included in the publication in the Official Journal of the European Union of titles and references of Harmonized Standard under the Directive 1999/5/EC [i.2].

See article 5.1 of Directive 1999/5/EC [i.2] for information on presumption of conformity and Harmonised Standards or parts thereof the references of which have been published in the Official Journal of the European Union.

The requirements relevant to Directive 1999/5/EC [i.2] are summarised in annex A.

The present document is part 13 of a multi-part deliverable covering the essential requirements under article 3.2 of Directive 1999/5/EC [i.2] (R&TTE Directive) for Base Stations (BS), Repeaters and User Equipment (UE) for IMT cellular networks, as identified below:

- Part 1: "Introduction and common requirements";
- Part 2: "CDMA Direct Spread (UTRA FDD) User Equipment (UE)";
- Part 3: "CDMA Direct Spread (UTRA FDD) Base Stations (BS)";
- Part 4: "CDMA Multi-Carrier (cdma2000) User Equipment (UE)";
- Part 5: "CDMA Multi-Carrier (cdma2000) Base Stations (BS)";
- Part 6: "CDMA TDD (UTRA TDD) User Equipment (UE)";
- Part 7: "CDMA TDD (UTRA TDD) Base Stations (BS)";
- Part 8: "Harmonized EN for IMT-2000, TDMA Single-Carrier (UWC 136) (UE) covering essential requirements of article 3.2 of the R&TTE Directive";
- Part 9: "Harmonized EN for IMT-2000, TDMA Single-Carrier (UWC 136) (BS) covering essential requirements of article 3.2 of the R&TTE Directive";
- Part 10: "Harmonized EN for IMT-2000, FDMA/TDMA (DECT) covering essential requirements of article 3.2 of the R&TTE Directive";
- Part 11: "CDMA Direct Spread (UTRA FDD) (Repeaters)";
- Part 12: "Harmonized EN for IMT-2000, CDMA Multi-Carrier (cdma2000) (Repeaters) covering the essential requirements of article 3.2 of the R&TTE Directive";
- Part 13: "Evolved Universal Terrestrial Radio Access (E-UTRA) User Equipment (UE)";**

- Part 14: "Evolved Universal Terrestrial Radio Access (E-UTRA) Base Stations (BS)";
- Part 15: "Evolved Universal Terrestrial Radio Access (E-UTRA) (FDD Repeaters)";
- Part 16: "Harmonized EN for IMT-2000, Evolved CDMA Multi-Carrier Ultra Mobile Broadband (UMB) (UE) covering the essential requirements of article 3.2 of the R&TTE Directive";
- Part 17: "Harmonized EN for IMT-2000, Evolved CDMA Multi-Carrier Ultra Mobile Broadband (UMB) (BS) covering the essential requirements of article 3.2 of the R&TTE Directive";
- Part 18: "E-UTRA, UTRA and GSM/EDGE Multi-Standard Radio (MSR) Base Station (BS)";
- Part 19: "OFDMA TDD WMAN (Mobile WiMAX) TDD User Equipment (UE)";
- Part 20: "OFDMA TDD WMAN (Mobile WiMAX) TDD Base Station (BS)";
- Part 21: "OFDMA TDD WMAN (Mobile WiMAX) FDD User Equipment (UE)";
- Part 22: "OFDMA TDD WMAN (Mobile WiMAX) FDD Base Stations (BS)".

National transposition dates	
Date of adoption of this EN:	12 April 2011
Date of latest announcement of this EN (doa):	31 July 2011
Date of latest publication of new National Standard or endorsement of this EN (dop/e):	31 January 2012
Date of withdrawal of any conflicting National Standard (dow):	31 January 2013

SIST EN 301 908-13 V5.2.1:2011

Introduction

<https://standards.iteh.ai/catalog/standards/sist/fl da56ed-5d09-4954-9d53-0dbd3b22dcd3/sist-en-301-908-13-v5-2-1-2011>

The present document is part of a set of standards developed by ETSI and is designed to fit in a modular structure to cover all radio and telecommunications terminal equipment within the scope of the R&TTE Directive [i.2]. The modular structure is shown in EG 201 399 [i.3].

1 Scope

The present document applies to the following radio equipment type:

- User Equipment for Evolved Universal Terrestrial Radio Access (E-UTRA).

This radio equipment type is capable of operating in all or any part of the frequency bands given in table 1-1.

Table 1-1: E-UTRA UE operating bands

E-UTRA Band	Direction of transmission	E-UTRA operating bands
1	Transmit	1 920 MHz to 1 980 MHz
	Receive	2 110 MHz to 2 170 MHz
3	Transmit	1 710 MHz to 1 785 MHz
	Receive	1 805 MHz to 1 880 MHz
7	Transmit	2 500 MHz to 2 570 MHz
	Receive	2 620 MHz to 2 690 MHz
8	Transmit	880 MHz to 915 MHz
	Receive	925 MHz to 960 MHz
20	Transmit	832 MHz to 862 MHz
	Receive	791 MHz to 821 MHz
33	Transmit and Receive	1 900 MHz to 1 920 MHz
34	Transmit and Receive	2 010 MHz to 2 025 MHz
38	Transmit and Receive	2 570 MHz to 2 620 MHz

The present document is intended to cover the provisions of Directive 1999/5/EC [i.2] (R&TTE Directive), article 3.2, which states that "..... radio equipment shall be so constructed that it effectively uses the spectrum allocated to terrestrial/space radio communications and orbital resources so as to avoid harmful interference".

In addition to the present document, other ENs that specify technical requirements in respect of essential requirements under other parts of article 3 of the R&TTE Directive [i.2] may apply to equipment within the scope of the present document.

NOTE: A list of such ENs is included on the web site <http://www.newapproach.org>.

2 References

References are either specific (identified by date of publication and/or edition number or version number) or non-specific. For specific references, only the cited version applies. For non-specific references, the latest version of the reference document (including any amendments) applies.

Referenced documents which are not found to be publicly available in the expected location might be found at <http://docbox.etsi.org/Reference>.

NOTE: While any hyperlinks included in this clause were valid at the time of publication ETSI cannot guarantee their long term validity.

2.1 Normative references

The following referenced documents are necessary for the application of the present document.

- [1] ETSI TS 136 521-1 (V9.3.0): "LTE; Evolved Universal Terrestrial Radio Access (E-UTRA); User Equipment (UE) conformance specification; Radio transmission and reception; Part 1: Conformance testing (3GPP TS 36.521-1 version 9.3.0 Release 9)".
- [2] ETSI TS 136 508 (V9.3.0): "LTE; Evolved Universal Terrestrial Radio Access (E-UTRA) and Evolved Packet Core (EPC); Common test environments for User Equipment (UE) conformance testing (3GPP TS 36.508 version 9.3.0 Release 9)".

- [3] ETSI TS 136 509 (V9.3.0): "LTE; Evolved Universal Terrestrial Radio Access (E-UTRA) and Evolved Packet Core (EPC); Special conformance testing functions for User Equipment (UE) (3GPP TS 36.509 version 9.3.0 Release 9)".
- [4] ETSI TS 136 101 (V9.5.0): "LTE; Evolved Universal Terrestrial Radio Access (E-UTRA); User Equipment (UE) radio transmission and reception (3GPP TS 36.101 version 9.5.0 Release 9)".
- [5] ETSI EN 301 908-1 (V5.2.1): "IMT cellular networks; Harmonized EN covering the essential requirements of article 3.2 of the R&TTE Directive; Part 1: Introduction and common requirements".
- [6] Void.
- [7] ETSI EN 301 908-2 (V5.2.1): "IMT cellular networks; Harmonized EN covering the essential requirements of article 3.2 of the R&TTE Directive; Part 2: CDMA Direct Spread (UTRA FDD) User Equipment (UE)".
- [8] IEC 60068-2-1 (2007): "Environmental testing - Part 2-1: Tests - Test A: Cold".
- [9] IEC 60068-2-2 (2007): "Environmental testing - Part 2-2: Tests - Test B: Dry heat".

2.2 Informative references

The following referenced documents are not necessary for the application of the present document but they assist the user with regard to a particular subject area.

- [i.1] Directive 98/34/EC of the European Parliament and of the Council of 22 June 1998 laying down a procedure for the provision of information in the field of technical standards and regulations.
- [i.2] Directive 1999/5/EC of the European Parliament and of the Council of 9 March 1999 on radio equipment and telecommunications terminal equipment and the mutual recognition of their conformity (R&TTE Directive).
- [i.3] ETSI TR 101 399: "Electromagnetic compatibility and Radio spectrum Matters (ERM); A guide to the production of Harmonized Standards for application under the R&TTE Directive".
- [i.4] ETSI TR 102 215 (V1.3.1): "Electromagnetic compatibility and Radio spectrum Matters (ERM); Recommended approach, and possible limits for measurement uncertainty for the measurement of radiated electromagnetic fields above 1 GHz".
- [i.5] ITU-R Recommendation SM.329-10 (2003): "Unwanted emissions in the spurious domain".
- [i.6] ETSI TR 100 028 (all parts) (V1.4.1): "Electromagnetic compatibility and Radio spectrum Matters (ERM); Uncertainties in the measurement of mobile radio equipment characteristics".

3 Definitions, symbols and abbreviations

3.1 Definitions

For the purposes of the present document, the following terms and definitions apply:

channel bandwidth: RF bandwidth supporting a single E-UTRA RF carrier with the transmission bandwidth configured in the uplink or downlink of a cell

NOTE: The channel bandwidth is measured in MHz and is used as a reference for transmitter and receiver RF requirements.

channel edge: lowest and highest frequency of the carrier, separated by the channel bandwidth

Maximum Output Power (MOP): mean power level per carrier of UE measured at the antenna connector in a specified reference condition

mean power: when applied to E-UTRA transmission this is the power measured in the operating system bandwidth of the carrier

NOTE: The period of measurement is assumed to be at least one subframe (1 ms) unless otherwise stated.

occupied bandwidth: width of a frequency band such that, below the lower and above the upper frequency limits, the mean powers emitted are each equal to a specified percentage $\beta/2$ of the total mean power of a given emission

operating band: frequency range (paired or unpaired) that is defined with a specific set of technical requirements, in which E-UTRA operates

NOTE: Operating bands for E-UTRA are designated with Arabic numerals, while the corresponding operating bands for UTRA are designated with Roman numerals.

output power: mean power of one carrier of the UE, delivered to a load with resistance equal to the nominal load impedance of the transmitter

reference bandwidth: bandwidth in which an emission level is specified

resource block: physical resource consisting of a number of symbols in the time domain and a number of consecutive subcarriers spanning 180 kHz in the frequency domain

transmission bandwidth: bandwidth of an instantaneous transmission from a UE or BS, measured in Resource Block units, see figure 3.1-1

transmission bandwidth configuration: highest transmission bandwidth allowed for uplink or downlink in a given channel bandwidth, measured in Resource Block units, see figure 3.1-1

transmit diversity: transmit diversity is based on space-frequency block coding techniques complemented with frequency-shift time diversity when four transmit antennas is used

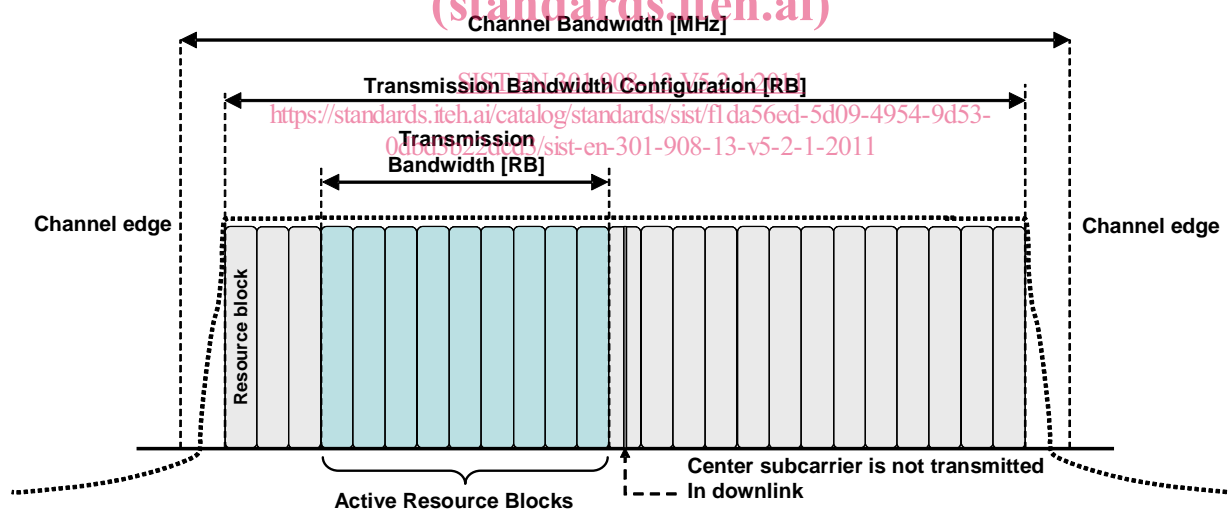


Figure 3.1-1: Definition of Channel Bandwidth and Transmission Bandwidth Configuration for one E-UTRA carrier

3.2 Symbols

For the purposes of the present document, the following symbols apply:

ΔF_{OOB}	Δ Frequency of Out-of-band emission
BW_{Channel}	Channel bandwidth
$BW_{\text{Interferer}}$	Channel Bandwidth of the interferer

E_{RS}	Transmitted energy per RE for reference symbols during the useful part of the symbol, i.e. excluding the cyclic prefix, (average power normalized to the subcarrier spacing) at the eNode B transmit antenna connector
\hat{E}_s	The received energy per RE during the useful part of the symbol, i.e. excluding the cyclic prefix, averaged across the allocated RB(s) (average power within the allocated RB(s)), divided by the number of RE within this allocation, and normalized to the subcarrier spacing) at the UE antenna connector
F	Frequency
$F_{\text{Interferer (offset)}}$	Frequency offset of the interferer
$F_{\text{Interferer}}$	Frequency of the interferer
F_{offset}	Frequency offset of the interferer
F_C	Frequency of the carrier centre frequency
$F_{\text{DL_low}}$	The lowest frequency of the downlink operating band
$F_{\text{DL_high}}$	The highest frequency of the downlink operating band
$F_{\text{UL_low}}$	The lowest frequency of the uplink operating band
$F_{\text{UL_high}}$	The highest frequency of the uplink operating band
I_o	The power spectral density of the total input signal (power averaged over the useful part of the symbols within the transmission bandwidth configuration, divided by the total number of RE for this configuration and normalized to the subcarrier spacing) at the UE antenna connector, including the own-cell downlink signal or the power spectral density of the total input signal at the UE antenna connector (power averaged over the useful part of the symbols within a given bandwidth and normalized to the said bandwidth), including the own-cell downlink signal
I_{or}	The total transmitted power spectral density of the own-cell downlink signal (power averaged over the useful part of the symbols within the transmission bandwidth configuration, divided by the total number of RE for this configuration and normalized to the subcarrier spacing) at the eNode B transmit antenna connector
\hat{I}_{or}	The total received power spectral density of the own-cell downlink signal (power averaged over the useful part of the symbols within the transmission bandwidth configuration, divided by the total number of RE for this configuration and normalized to the subcarrier spacing) at the UE antenna connector
I_{ot}	The received power spectral density of the total noise and interference for a certain RE (average power obtained within the RE and normalized to the subcarrier spacing) as measured at the UE antenna connector
N_{cp}	Cyclic prefix length
N_{DL}	Downlink EARFCN
N_{oc}	The power spectral density of a white noise source (average power per RE normalized to the subcarrier spacing), simulating interference from cells that are not defined in a test procedure, as measured at the UE antenna connector
$N_{\text{Offs-DL}}$	Offset used for calculating downlink EARFCN
$N_{\text{Offs-UL}}$	Offset used for calculating uplink EARFCN
N_{RB}	Transmission bandwidth configuration, expressed in units of resource blocks
N_{UL}	Uplink EARFCN
P	Number of cell-specific antenna ports
p	Antenna port number
$P_{\text{Interferer}}$	Modulated mean power of the interferer
P_{UMAX}	Maximum UE Power with possible power reduction due to modulation type, network signalling values and location near the edge of the band
R_{av}	Minimum average throughput per RB