



# SLOVENSKI STANDARD

## SIST EN 2240-047:2010

01-maj-2010

---

**Aeronavtika - Žarnice - 047. del: Žarnica, kod 718 - Standard za proizvod**

Aerospace series - Lamps, incandescent - Part 047: Lamp, code 718 - Product standard

Luft- und Raumfahrt - Glühlampen - Teil 047: Lampe, Kode 718 - Produktnorm

Série aérospatiale - Lampes à incandescence - Partie 047: Lampe, code 718 - Norme de produit

**(standards.iteh.ai)**

**Ta slovenski standard je istoveten z: EN 2240-047:2010**

<https://standards.iteh.ai/catalog/standards/sist/eb79698a-3a7f-4e86-a9b5-95075c6b0272/sist-en-2240-047-2010>

**ICS:**

49.060	Letalska in vesoljska električna oprema in sistemi	Aerospace electric equipment and systems
--------	---	---

**SIST EN 2240-047:2010**

**en**

**iTeh STANDARD PREVIEW**  
**(standards.iteh.ai)**

SIST EN 2240-047:2010

<https://standards.iteh.ai/catalog/standards/sist/eb79698a-3a7f-4e86-a9b5-95075c6b0272/sist-en-2240-047-2010>

EUROPEAN STANDARD

**EN 2240-047**

NORME EUROPÉENNE

EUROPÄISCHE NORM

March 2010

ICS 49.060

English Version

**Aerospace series - Lamps, incandescent - Part 047: Lamp, code  
718 - Product standard**Série aérospatiale - Lampes à incandescence - Partie 047:  
Lampe, code 718 - Norme de produitLuft- und Raumfahrt - Glühlampen - Teil 047: Lampe, Kode  
718 - Produktnorm

This European Standard was approved by CEN on 6 February 2010.

CEN members are bound to comply with the CEN/CENELEC Internal Regulations which stipulate the conditions for giving this European Standard the status of a national standard without any alteration. Up-to-date lists and bibliographical references concerning such national standards may be obtained on application to the CEN Management Centre or to any CEN member.

This European Standard exists in three official versions (English, French, German). A version in any other language made by translation under the responsibility of a CEN member into its own language and notified to the CEN Management Centre has the same status as the official versions.

CEN members are the national standards bodies of Austria, Belgium, Bulgaria, Croatia, Cyprus, Czech Republic, Denmark, Estonia, Finland, France, Germany, Greece, Hungary, Iceland, Ireland, Italy, Latvia, Lithuania, Luxembourg, Malta, Netherlands, Norway, Poland, Portugal, Romania, Slovakia, Slovenia, Spain, Sweden, Switzerland and United Kingdom.

[SIST EN 2240-047:2010](https://standards.iteh.ai/catalog/standards/sist/eb79698a-3a7f-4e86-a9b5-95075c6b0272/sist-en-2240-047-2010)<https://standards.iteh.ai/catalog/standards/sist/eb79698a-3a7f-4e86-a9b5-95075c6b0272/sist-en-2240-047-2010>EUROPEAN COMMITTEE FOR STANDARDIZATION  
COMITÉ EUROPÉEN DE NORMALISATION  
EUROPÄISCHES KOMITEE FÜR NORMUNG**Management Centre: Avenue Marnix 17, B-1000 Brussels**

<b>Contents</b>		Page
Foreword.....		3
1	Scope .....	4
2	Normative references .....	4
3	Required characteristics.....	5
4	Designation .....	6
5	Marking .....	6
6	Technical specification .....	6

**iTeh STANDARD PREVIEW**  
**(standards.iteh.ai)**

[SIST EN 2240-047:2010](https://standards.iteh.ai/catalog/standards/sist/eb79698a-3a7f-4e86-a9b5-95075c6b0272/sist-en-2240-047-2010)

<https://standards.iteh.ai/catalog/standards/sist/eb79698a-3a7f-4e86-a9b5-95075c6b0272/sist-en-2240-047-2010>

## Foreword

This document (EN 2240-047:2010) has been prepared by the Aerospace and Defence Industries Association of Europe - Standardization (ASD-STAN).

After enquiries and votes carried out in accordance with the rules of this Association, this Standard has received the approval of the National Associations and the Official Services of the member countries of ASD, prior to its presentation to CEN.

This European Standard shall be given the status of a national standard, either by publication of an identical text or by endorsement, at the latest by September 2010, and conflicting national standards shall be withdrawn at the latest by September 2010.

Attention is drawn to the possibility that some of the elements of this document may be the subject of patent rights. CEN [and/or CENELEC] shall not be held responsible for identifying any or all such patent rights.

According to the CEN/CENELEC Internal Regulations, the national standards organizations of the following countries are bound to implement this European Standard: Austria, Belgium, Bulgaria, Croatia, Cyprus, Czech Republic, Denmark, Estonia, Finland, France, Germany, Greece, Hungary, Iceland, Ireland, Italy, Latvia, Lithuania, Luxembourg, Malta, Netherlands, Norway, Poland, Portugal, Romania, Slovakia, Slovenia, Spain, Sweden, Switzerland and the United Kingdom.

**ITEH STANDARD PREVIEW**  
**(standards.iteh.ai)**

[SIST EN 2240-047:2010](https://standards.iteh.ai/catalog/standards/sist/eb79698a-3a7f-4e86-a9b5-95075c6b0272/sist-en-2240-047-2010)

<https://standards.iteh.ai/catalog/standards/sist/eb79698a-3a7f-4e86-a9b5-95075c6b0272/sist-en-2240-047-2010>

**EN 2240-047:2010 (E)****1 Scope**

This standard specifies the required characteristics for lamp, code 718, for aerospace applications.

It shall be used together with EN 2756.

**2 Normative references**

The following referenced documents are indispensable for the application of this document. For dated references, only the edition cited applies. For undated references, the latest edition of the referenced document (including any amendments) applies.

EN 2240-001, *Aerospace series — Lamps, incandescent — Part 001: Technical specification*

EN 2240-002, *Aerospace series — Lamps, incandescent — Part 002: Main characteristics*

EN 2241, *Aerospace series — Lamp caps — Dimensions* <sup>1)</sup>

EN 2756, *Aerospace series — Lamps, incandescent — Test methods*

**iTeh STANDARD PREVIEW**  
**(standards.iteh.ai)**

[SIST EN 2240-047:2010](https://standards.iteh.ai/catalog/standards/sist/eb79698a-3a7f-4e86-a9b5-95075c6b0272/sist-en-2240-047-2010)

<https://standards.iteh.ai/catalog/standards/sist/eb79698a-3a7f-4e86-a9b5-95075c6b0272/sist-en-2240-047-2010>

---

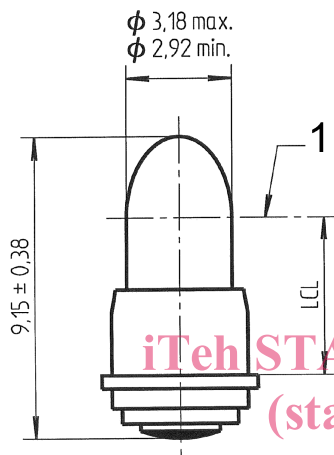
1) Published as ASD-STAN Prestandard at the date of publication of this standard.

### 3 Required characteristics

#### 3.1 Dimensions and mass

See Figure 1 and Table 1.

Dimensions are given in millimetres.



#### Key

1 Light centre

Figure 1

Table 1

Bulb appearance		Clear	
Nominal voltage		V	5
Nominal current		A	0,115
Nominal power		W	0,575
Nominal luminous flux		lm	1,9
Colour temperature		K	1 980
Life	Static with d.c.	h	4 000
	Dynamic with d.c.	h	3 000
	Static with a.c.	h	4 000
Reduced voltage		V	–
Luminous flux at reduced voltage		lm	–
Form of filament		C - 2R CC - 6	
Light Centre Length (LCL)		4,8 ± 0,5	
Mass (for 1 000)		kg	0,24

#### 3.2 Other characteristics

See Table 1.

#### 3.3 Form of filament

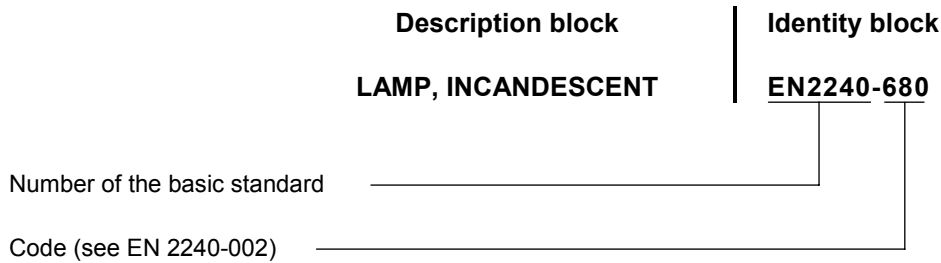
See EN 2240-002.

#### 3.4 Cap

SX4s/4: see EN 2241.

**EN 2240-047:2010 (E)****4 Designation**

EXAMPLE



NOTE If necessary, the code I9005 shall be placed between the description block and the identity block.

**5 Marking**

Unless there is not enough space, the lamp and its packaging shall be marked with the international code number such as indicated in EN 2240-002.

**6 Technical specification**

See EN 2240-001.

**ITeH STANDARD PREVIEW**  
**(standards.iteh.ai)**

SIST EN 2240-047:2010  
<https://standards.iteh.ai/catalog/standards/sist/eb79698a-3a7f-4e86-a9b5-95075c6b0272/sist-en-2240-047-2010>