
Varnost strojev - Varnostne zahteve za načrtovanje in konstrukcijo strojev in opreme za izdelavo papirja - 4. del: Razpuščevalniki in pripadajoče naprave za polnjenje

Safety of machinery - Safety requirements for the design and construction of paper making and finishing machines - Part 4: Pulpers and their loading facilities

Sicherheit von Maschinen - Sicherheitstechnische Anforderungen an Konstruktion und Bau von Maschinen der Papierherstellung und Ausrüstung - Teil 4: Stofflöser und deren Beschickungseinrichtungen (standards.iteh.ai)

SÉCURITÉ DES MACHINES - Prescriptions de sécurité pour la conception et la construction de machines de fabrication et de finition du papier - Partie 4: Triturateurs et leurs dispositifs d'alimentation

Ta slovenski standard je istoveten z: EN 1034-4:2005+A1:2009

ICS:

13.110	Varnost strojev	Safety of machinery
21.020	Značilnosti in načrtovanje strojev, aparatov, opreme	Characteristics and design of machines, apparatus, equipment
85.100	Oprema za papirno industrijo	Equipment for the paper industry

SIST EN 1034-4:2006+A1:2010 en,fr

iTeh STANDARD PREVIEW
(standards.iteh.ai)

[SIST EN 1034-4:2006+A1:2010](https://standards.iteh.ai/catalog/standards/sist/871ef936-a4bf-4860-8df6-02b227b60046/sist-en-1034-4-2006a1-2010)

<https://standards.iteh.ai/catalog/standards/sist/871ef936-a4bf-4860-8df6-02b227b60046/sist-en-1034-4-2006a1-2010>

EUROPEAN STANDARD
NORME EUROPÉENNE
EUROPÄISCHE NORM

EN 1034-4:2005+A1

December 2009

ICS 85.100

Supersedes EN 1034-4:2005

English Version

Safety of machinery - Safety requirements for the design and construction of paper making and finishing machines - Part 4: Pulpers and their loading facilities

Sécurité des machines - Prescriptions de sécurité pour la conception et la construction de machines de fabrication et de finition du papier - Partie 4: Triturateurs et leurs dispositifs d'alimentation

Sicherheit von Maschinen - Sicherheitstechnische Anforderungen an Konstruktion und Bau von Maschinen der Papierherstellung und Ausrüstung - Teil 4: Stofflöser und deren Beschickungseinrichtungen

This European Standard was approved by CEN on 20 October 2005 and includes Amendment 1 approved by CEN on 17 November 2009.

CEN members are bound to comply with the CEN/CENELEC Internal Regulations which stipulate the conditions for giving this European Standard the status of a national standard without any alteration. Up-to-date lists and bibliographical references concerning such national standards may be obtained on application to the CEN Management Centre or to any CEN member.

This European Standard exists in three official versions (English, French, German). A version in any other language made by translation under the responsibility of a CEN member into its own language and notified to the CEN Management Centre has the same status as the official versions.

CEN members are the national standards bodies of Austria, Belgium, Bulgaria, Cyprus, Czech Republic, Denmark, Estonia, Finland, France, Germany, Greece, Hungary, Iceland, Ireland, Italy, Latvia, Lithuania, Luxembourg, Malta, Netherlands, Norway, Poland, Portugal, Romania, Slovakia, Slovenia, Spain, Sweden, Switzerland and United Kingdom.



EUROPEAN COMMITTEE FOR STANDARDIZATION
COMITÉ EUROPÉEN DE NORMALISATION
EUROPÄISCHES KOMITEE FÜR NORMUNG

Management Centre: Avenue Marnix 17, B-1000 Brussels

Contents

	Page
Foreword.....	4
Introduction	5
1 Scope	5
2 Normative references	5
3 Terms and definitions	7
4 List of significant hazards	8
5 Safety requirements and/or measures	9
5.1 General.....	9
5.2 Requirements for safety devices	9
5.3 Power transmission elements	10
5.4 Workplaces, access stairs, catwalks, passageways.....	10
5.5 Falling hazard on pulpers	10
5.6 Loading facilities on pulpers	13
5.7 Start-up warning devices	14
5.8 Emergency stop devices.....	14
5.9 Isolation and energy dissipation, prevention of unexpected start-up.....	15
5.10 Control systems and actuators	15
5.11 Integrated lighting.....	15
5.12 Ergonomic principles	15
5.13 Electrical equipment.....	16
5.14 Hydraulic equipment	16
5.15 Pneumatic equipment	16
5.16 Noise hazards.....	16
5.17 Dangers from hazardous substances	16
5.18 Equipment and measures for maintenance and inspection and cleaning	16
5.19 Hazards generated by material.....	16
5.20 Powered valves	16
6 Verification of compliance with safety requirements and/or protective measures	17
7 Information for use	17
7.1 General.....	17
7.2 Specific information on machinery.....	17
7.3 Specific information in the instruction handbook.....	17
Annex ZA (informative) Relationship of this European Standard with the Essential Requirements of EU Directive 98/37/EC	19
Annex ZB (informative) A1 Relationship between this European Standard and the Essential Requirements of EU Directive 2006/42/EC A1.....	20
Bibliography	21
Figures	
Figure 1 — Pulper with loading facility (example).....	7
Figure 2 — Drum pulper (example).....	8
Figure 3 — Protection against falling from a height at discharge openings for waste (recovery stock)	12

Figure 4 — Protection against falling from a height on recovery pulper underneath the Pope reel winder 13

iTeh STANDARD PREVIEW
(standards.iteh.ai)

SIST EN 1034-4:2006+A1:2010
<https://standards.iteh.ai/catalog/standards/sist/871ef936-a4bf-4860-8df6-02b227b60046/sist-en-1034-4-2006a1-2010>

EN 1034-4:2005+A1:2009 (E)**Foreword**

This document (EN 1034-4:2005+A1:2009) has been prepared by Technical Committee CEN/TC 198 "Printing and paper machinery - Safety", the secretariat of which is held by DIN.

This document shall be given the status of a national standard, either by publication of an identical text or by endorsement, at the latest by June 2010, and conflicting national standards shall be withdrawn at the latest by June 2010.

Attention is drawn to the possibility that some of the elements of this document may be the subject of patent rights. CEN [and/or CENELEC] shall not be held responsible for identifying any or all such patent rights.

This document includes Amendment 1, approved by CEN on 17 November 2009.

This document supersedes EN 1034-4:2005.

The start and finish of text introduced or altered by amendment is indicated in the text by tags $\boxed{A_1}$ $\boxed{A_1}$.

This document has been prepared under a mandate given to CEN by the European Commission and the European Free Trade Association, and supports essential requirements of EU Directive(s).

$\boxed{A_1}$ For relationship with EU Directive(s), see informative Annexes ZA and ZB, which are integral parts of this document. $\boxed{A_1}$

According to the CEN/CENELEC Internal Regulations, the national standards organizations of the following countries are bound to implement this European Standard: Austria, Belgium, Bulgaria, Cyprus, Czech Republic, Denmark, Estonia, Finland, France, Germany, Greece, Hungary, Iceland, Ireland, Italy, Latvia, Lithuania, Luxembourg, Malta, Netherlands, Norway, Poland, Portugal, Romania, Slovakia, Slovenia, Spain, Sweden, Switzerland and United Kingdom.

Introduction

This European Standard is a type C standard as stated in EN ISO 12100-1.

The machinery concerned and the extent to which hazards, hazardous situations and events are covered are indicated in the scope of this European Standard.

For machines that have been designed and built according to the provisions of this type C standard, the following stipulation applies: when provisions of this type C standard are different from those which are stated in type A or B standards or from provisions made in ^{A1} EN 1034-1:2000+A1:2010 ^{A1}, the provisions of this type C standard take precedence over the provisions of the other standards.

1 Scope

This European Standard applies to pulpers and their loading facilities intended for use in paper making and shall be used together with ^{A1} EN 1034-1:2000+A1:2010 ^{A1}. It deals with all significant hazards, hazardous situations and hazard events relevant to pulpers and their loading facilities, when they are used as intended and under the conditions foreseen by the manufacturer (see clause 4).

This European Standard is not applicable to pulpers and their loading facilities that have been manufactured before the date of publication of this standard.

STANDARD PREVIEW
(standards.iteh.ai)

2 Normative references

SIST EN 1034-4:2006+A1:2010

<https://standards.iteh.ai/catalog/standards/sist/871ef936-a4bf-4860-8df6-1c1b736040d5/en-1034-4:2005-a1:2009>

The following referenced documents are indispensable for the application of this European Standard. For dated references, only the edition cited applies. For undated references, the latest edition of the referenced document (including any amendments) applies.

EN 294:1992, *Safety of machinery — Safety distances to prevent danger zones being reached by the upper limbs.*

EN 349:1993, *Safety of machinery — Minimum gaps to avoid crushing of parts of the human body.*

EN 418:1992, *Safety of machinery — Emergency stop equipment, functional aspects — Principles for design.*

EN 547 (all Parts), *Safety of machinery — Human body measurements.*

EN 617:2001, *Continuous handling equipment and systems — Safety and EMC requirements for the storage of bulk goods in silos, bunkers, bins and hoppers.*

EN 618:2002, *Continuous handling equipment and systems — Safety and EMC requirements for equipment for mechanical handling of bulk materials except stationary belt conveyors.*

EN 619:2002, *Continuous handling equipment and systems — Safety and EMC requirements for equipment for mechanical handling of unit loads.*

EN 620:2002, *Continuous handling equipment and systems — Safety and EMC requirements for equipment for stationary belt conveyors for bulk materials.*

EN 626-1:1994, *Safety of machinery — Reduction of risk to health from hazardous substances emitted by machinery — Part 1: Principles and specifications for machinery manufacturers.*

EN 1034-4:2005+A1:2009 (E)

EN 626-2:1996, *Safety of machinery — Reduction of risk to health from hazardous substances emitted by machinery — Part 2: Methodology leading to verification procedures.*

EN 741:2000, *Continuous handling equipment and systems — Safety requirements for equipment for equipment and their components for pneumatic handling of bulk materials.*

EN 953:1997, *Safety of machinery — Guards — General requirements for the design and construction of fixed and movable guards.*

EN 954-1:1996, *Safety of machinery — Safety-related parts of control systems — Part 1: General principles for design.*

EN 982:1996, *Safety of machinery — Safety requirements for fluid power systems and their components — Hydraulics.*

EN 983:1996, *Safety of machinery — Safety requirements for fluid power systems and their components — Pneumatics.*

EN 1034-1:2000+A1:2010 ^(A1), *Safety of machinery — Safety requirements for the design and construction of paper making and finishing machines — Part 1: Common requirements.*

EN 1037:1995, *Safety of machinery — Prevention of unexpected start-up.*

EN 1050:1996, *Safety of machinery — Principles for risk assessment.*

EN 1088:1995, *Safety of machinery — Interlocking devices associated with guards — Principles for design and selection.*

EN 1837:1999, *Safety of machinery — Integral lighting of machines.*

EN 13023:2003, *Noise measurement methods for printing, paper converting, paper making machines and auxiliary equipment — Accuracy categories 2 and 3.*

EN 60204-1:1997, *Safety of machinery — Electrical equipment — Part 1: General requirements (IEC 60204-1:1997).*

EN 61000-6-2:2001, *Electromagnetic compatibility (EMC — Generic standard — Part 6-2: Emission standard for industrial environment (IEC 61000-6-2:1999, modified).*

EN ISO 12100-1:2003, *Safety of machinery — Basic concepts — General principles for design — Part 1: Basic terminology, methodology (ISO 12100-1:2003).*

EN ISO 12100-2:2003, *Safety of machinery — Basic concepts — General principles for design — Part 2: Technical principles and specifications (ISO 12100-2:2003).*

EN 14122-1:2001, *Safety of machinery — Permanent means of access to machines and industrial plants — Part 1: Choice of a fixed means of access between two levels (ISO 14122-1:2001).*

EN 14122-2:2001, *Safety of machinery — Permanent means of access to machines and industrial plants — Part 2: Working platforms and gangways (ISO 14122-2:2001).*

EN 14122-3:2001, *Safety of machinery — Permanent means of access to machines and industrial plants — Part 3: Stairways, stepladders and guard-rails (ISO 14122-3:2001).*

3 Terms and definitions

For the purpose of this European Standard, the terms and definitions of [EN 1034-1:2000+A1:2010](#), EN ISO 12100-1:2003 and the following terms and definitions apply.

3.1

pulper

machine that dissolves raw materials such as wood pulp, pulp, recovery stock and waste paper to form a pumpable defibrated stock suspension to be used for the production of paper and board. Pulpers may be designed either as rotor pulpers, see 3.2, or as drum pulpers, see 3.3

3.2

rotor pulper

pulper consisting of a tank and a power-driven rotor to break down the charged raw material using water. The principle of a rotor pulper is illustrated in Figure 1

3.3

drum pulper

pulper consisting of a horizontal drum rotating round its horizontal axis in which raw material is dissolved with the addition of water. The principle of a drum pulper is illustrated in Figure 2

3.4

loading facility

machinery such as continuous conveyor, lifting device or a combination of these machines intended to charge pulpers with the raw material to be dissolved such as pulp, waste paper or recovery stock

3.5

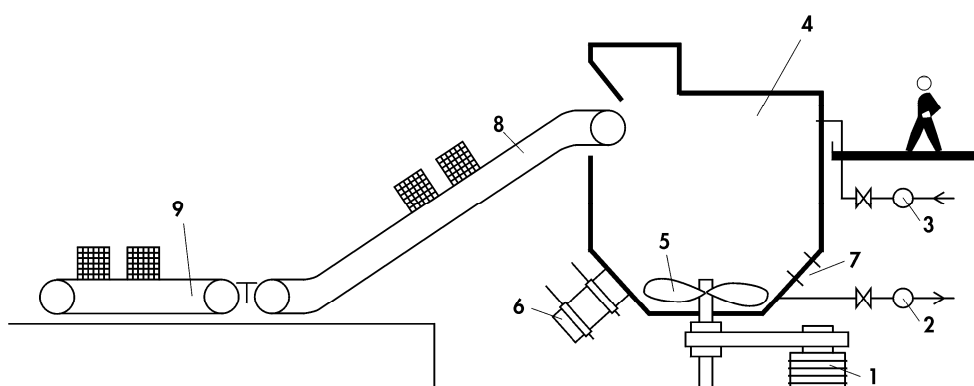
feeding conveyor

continuous conveyor as part of the loading facility defined in 3.4 onto which the raw material to be dissolved is loaded by means of fork lifts, mechanical shovels or lifting tools, see Figure 1

3.6

charging conveyor

continuous conveyor as part of the loading facility defined in 3.4, forwarding the raw material to be dissolved into the pulper, see Figure 1

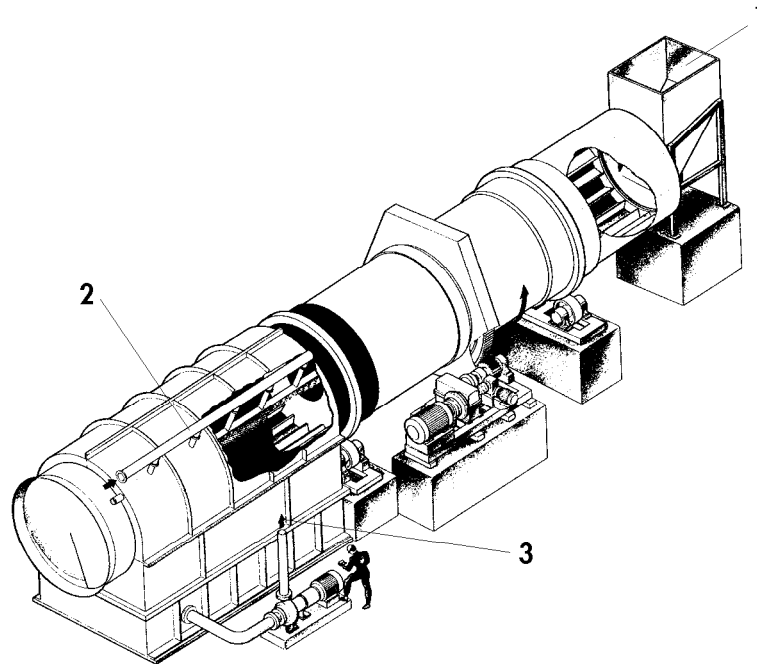


Key

1 Drive	4 Tank	7 Manhole
2 Discharging pump	5 Rotor	8 Charging conveyor
3 Charging pump	6 Trash discharge gate	9 Feeding conveyor

Figure 1 — Pulper with loading facility (example)

EN 1034-4:2005+A1:2009 (E)

**Key**

- 1 Loading opening for raw material and water
 2 Water supply
 3 Exit of dissolved material

NOTE Safety devices are not shown

[SIST EN 1034-4:2006+A1:2010](https://standards.iteh.ai/catalog/standards/sist/871ef936-a4bf-4860-8df6-02b227b60046/sist-en-1034-4-2006-a1-2010)

[https://standards.iteh.ai/catalog/standards/sist/871ef936-a4bf-4860-8df6-](https://standards.iteh.ai/catalog/standards/sist/871ef936-a4bf-4860-8df6-02b227b60046/sist-en-1034-4-2006-a1-2010)

[02b227b60046/sist-en-1034-4-2006-a1-2010](https://standards.iteh.ai/catalog/standards/sist/871ef936-a4bf-4860-8df6-02b227b60046/sist-en-1034-4-2006-a1-2010)

Figure 2 — Drum pulper (example)

4 List of significant hazards

This clause contains all the significant hazards that, as far as they are dealt with in this standard, are identified by risk assessment in accordance with EN 1050 as significant for this type of machinery and require action to eliminate or reduce the risk.

When carrying out the risk assessment, the machine designer has to check whether the list of hazards in Table 1 is complete and applicable with respect to his particular machine.

Table 1 — List of significant hazards

Hazards	EN 1034-4:2005	EN 1034-1:2000+A1:2010
Mechanical hazards		
Crushing hazard	5.5; 5.20	5.1; 5.3
Entanglement hazard	5.2; 5.3; 5.19	5.2
Drawing-in or trapping hazard	5.2; 5.3; 5.4.2	5.1; 5.4
High-pressure fluid ejection hazard	5.14; 5.15	5.24
Ejection of parts	5.19	5.2
Slip, trip and fall hazards in relationship with machines	5.4; 5.5; 5.6; 5.18	5.5
Electrical hazards caused by, for example:		
Electrical contact (direct or indirect)	5.13	5.23; 5.8
External influences on electrical equipment	5.13	5.23
Hazards generated by noise, resulting in		
Hearing loss (deafness), other physiological disorders	5.16	5.15
Hazards generated by materials and substances processed, used or exhausted by machines		
Hazards resulting from contact with or inhalation of harmful fluids, gases, mists, fumes and dusts; lack of oxygen	5.17; 5.18	5.16
Hazards generated by neglecting ergonomic principles in machine design		
Unhealthy postures or excessive efforts	5.6.2; 5.12	5.22
Inadequate consideration of human hand-arm or foot-leg anatomy	5.12; 5.18	5.22
Inadequate area lighting	5.11	5.18
Hazards caused by failure of energy supply and other functional disorders, for example:		
Failure of energy supply	5.9; 5.13	5.8
Malfunction of control system	5.7; 5.8; 5.10.1	5.14
Hazards caused by unexpected start up	5.7; 5.9; 5.10.2	5.6; 5.8
Combination of hazards	5.18	5.6; 5.9; 5.10
Emergency measures	5.8	5.1.3; 5.7; 5.18; 5.19

5 Safety requirements and/or measures

5.1 General

Machinery shall comply with the safety requirements and/or measures of this clause. In addition, the machine shall be designed according to the principles of EN ISO 12100 for relevant but not significant hazards that are not dealt with by this document, e. g. avoidance of sharp edges.

5.2 Requirements for safety devices

5.2.1 The requirements of 5.1 of EN 1034-1:2000+A1:2010 shall be satisfied.

5.2.2 The instruction handbook shall contain instructions for checking the safety devices.