

---

---

**Acoustics — Measurement of sound  
insulation in buildings and of building  
elements —**

Part 3:

**Laboratory measurements of airborne  
sound insulation of building elements**

**AMENDMENT 1: Installation guidelines for  
lightweight twin leaf partitions**

[https://standards.iteh.ai/catalog/standards/sist/5f1f3b74-309b-4786-a0be-](https://standards.iteh.ai/catalog/standards/sist/5f1f3b74-309b-4786-a0be-f04c8fd1fac4d/iso-140-3-1995-amd-1-2004)

[f04c8fd1fac4d/iso-140-3-1995-amd-1-2004](https://standards.iteh.ai/catalog/standards/sist/5f1f3b74-309b-4786-a0be-f04c8fd1fac4d/iso-140-3-1995-amd-1-2004)

*Acoustique — Mesurage de l'isolement acoustique des immeubles et  
des éléments de construction —*

*Partie 3: Mesurage en laboratoire de l'affaiblissement des bruits aériens  
par les éléments de construction*

*AMENDEMENT 1: Conditions particulières de montage des cloisons à  
doubles parements légers*



**PDF disclaimer**

This PDF file may contain embedded typefaces. In accordance with Adobe's licensing policy, this file may be printed or viewed but shall not be edited unless the typefaces which are embedded are licensed to and installed on the computer performing the editing. In downloading this file, parties accept therein the responsibility of not infringing Adobe's licensing policy. The ISO Central Secretariat accepts no liability in this area.

Adobe is a trademark of Adobe Systems Incorporated.

Details of the software products used to create this PDF file can be found in the General Info relative to the file; the PDF-creation parameters were optimized for printing. Every care has been taken to ensure that the file is suitable for use by ISO member bodies. In the unlikely event that a problem relating to it is found, please inform the Central Secretariat at the address given below.

**iTeh STANDARD PREVIEW**  
**(standards.iteh.ai)**

[ISO 140-3:1995/Amd 1:2004](https://standards.iteh.ai/catalog/standards/sist/5f1f3b74-309b-4786-a0be-f04c8fdfac4d/iso-140-3-1995-amd-1-2004)

<https://standards.iteh.ai/catalog/standards/sist/5f1f3b74-309b-4786-a0be-f04c8fdfac4d/iso-140-3-1995-amd-1-2004>

© ISO 2004

All rights reserved. Unless otherwise specified, no part of this publication may be reproduced or utilized in any form or by any means, electronic or mechanical, including photocopying and microfilm, without permission in writing from either ISO at the address below or ISO's member body in the country of the requester.

ISO copyright office  
Case postale 56 • CH-1211 Geneva 20  
Tel. + 41 22 749 01 11  
Fax + 41 22 749 09 47  
E-mail [copyright@iso.org](mailto:copyright@iso.org)  
Web [www.iso.org](http://www.iso.org)

Published in Switzerland

## Foreword

ISO (the International Organization for Standardization) is a worldwide federation of national standards bodies (ISO member bodies). The work of preparing International Standards is normally carried out through ISO technical committees. Each member body interested in a subject for which a technical committee has been established has the right to be represented on that committee. International organizations, governmental and non-governmental, in liaison with ISO, also take part in the work. ISO collaborates closely with the International Electrotechnical Commission (IEC) on all matters of electrotechnical standardization.

International Standards are drafted in accordance with the rules given in the ISO/IEC Directives, Part 2.

The main task of technical committees is to prepare International Standards. Draft International Standards adopted by the technical committees are circulated to the member bodies for voting. Publication as an International Standard requires approval by at least 75 % of the member bodies casting a vote.

Attention is drawn to the possibility that some of the elements of this document may be the subject of patent rights. ISO shall not be held responsible for identifying any or all such patent rights.

Amendment 1 to ISO 140-3:1995 was prepared by the European Committee for Standardization (CEN) in collaboration with Technical Committee ISO/TC 43, *Acoustics*, Subcommittee SC 2, *Building acoustics*, in accordance with the Agreement on technical cooperation between ISO and CEN (Vienna Agreement).

ITEH STANDARD PREVIEW  
(standards.iteh.ai)

[ISO 140-3:1995/Amd 1:2004](https://standards.iteh.ai/catalog/standards/sist/5f1f3b74-309b-4786-a0be-f04c8fdfac4d/iso-140-3-1995-amd-1-2004)

<https://standards.iteh.ai/catalog/standards/sist/5f1f3b74-309b-4786-a0be-f04c8fdfac4d/iso-140-3-1995-amd-1-2004>

## Foreword

This document (EN ISO 140-3:1995/A1:2004) has been prepared by Technical Committee CEN/TC 126 “Acoustic properties of building elements and of buildings”, the secretariat of which is held by AFNOR, in collaboration with Technical Committee ISO/TC 43 “Acoustics”.

This Amendment to the European Standard EN ISO 140-3:1995 shall be given the status of a national standard, either by publication of an identical text or by endorsement, at the latest by June 2005, and conflicting national standards shall be withdrawn at the latest by June 2005.

According to the CEN/CENELEC Internal Regulations, the national standards organizations of the following countries are bound to implement this European Standard: Austria, Belgium, Cyprus, Czech Republic, Denmark, Estonia, Finland, France, Germany, Greece, Hungary, Iceland, Ireland, Italy, Latvia, Lithuania, Luxembourg, Malta, Netherlands, Norway, Poland, Portugal, Slovakia, Slovenia, Spain, Sweden, Switzerland and United Kingdom.

## iTeh STANDARD PREVIEW (standards.iteh.ai)

[ISO 140-3:1995/Amd 1:2004](https://standards.iteh.ai/catalog/standards/sist/5f1f3b74-309b-4786-a0be-f04c8fdfac4d/iso-140-3-1995-amd-1-2004)

<https://standards.iteh.ai/catalog/standards/sist/5f1f3b74-309b-4786-a0be-f04c8fdfac4d/iso-140-3-1995-amd-1-2004>

## Introduction

Evaluation of the results of a European Inter Laboratory Test in 1998 showed that the requirements given in ISO 140-1 are inadequate for lightweight twin partitions therefore the following annex is added.

## iTeh STANDARD PREVIEW (standards.iteh.ai)

[ISO 140-3:1995/Amd 1:2004](https://standards.iteh.ai/catalog/standards/sist/5f1f3b74-309b-4786-a0be-f04c8fdfac4d/iso-140-3-1995-amd-1-2004)

<https://standards.iteh.ai/catalog/standards/sist/5f1f3b74-309b-4786-a0be-f04c8fdfac4d/iso-140-3-1995-amd-1-2004>

**iTeh STANDARD PREVIEW**  
**(standards.iteh.ai)**

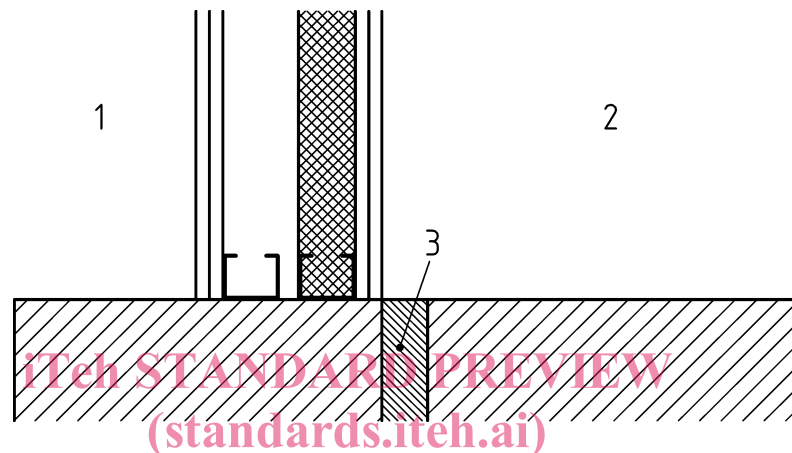
[ISO 140-3:1995/Amd 1:2004](https://standards.iteh.ai/catalog/standards/sist/5f1f3b74-309b-4786-a0bef04c8fdfac4d/iso-140-3-1995-amd-1-2004)

<https://standards.iteh.ai/catalog/standards/sist/5f1f3b74-309b-4786-a0bef04c8fdfac4d/iso-140-3-1995-amd-1-2004>

## Annex H (normative)

### Installation guidelines for lightweight twin leaf partitions

The sound reduction index of lightweight twin leaf partitions is influenced by the mounting conditions in the test opening of the laboratory. The important installation parameters are the aperture (niche effect) depth and the position of the partition in relation to the acoustic break in the test aperture.



#### Key

- 1 source room <https://standards.iteh.ai/catalog/standards/sist/5f1f3b74-309b-4786-a0be-f04c8fdfac4d/iso-140-3-1995-amd-1-2004>
- 2 receiving room
- 3 acoustic break of the laboratory

**Figure H.1 — Example for the position of the specimen relative to the acoustic break of the laboratory**

To improve the reproducibility between laboratories and to facilitate comparison of sound reduction indices from different lightweight double wall products, the light weight twin leaf partition shall not be mounted across the acoustical break of the laboratory (Figure H.1). The aperture depth should meet the requirement in 5.2.1, as far as practical.

Other mounting conditions may be used but shall be fully described in the test report.

**NOTE** Mounting the lightweight partition with one leaf on one side and the other leaf on the other side of the acoustic break may result in higher values for the sound reduction index.

Other mounting conditions may be appropriate for some twin leaf partitions e.g. in semidetached houses where the leaves may be vibrationally decoupled. In such cases the leaves should be mounted on either side of the acoustic break.

**iTeh STANDARD PREVIEW**  
**(standards.iteh.ai)**

ISO 140-3:1995/Amd 1:2004  
<https://standards.iteh.ai/catalog/standards/sist/5f1f3b74-309b-4786-a0be-f04c8fdfac4d/iso-140-3-1995-amd-1-2004>

---

---

**ICS 91.120.20**

Price based on 1 page