



SLOVENSKI STANDARD

SIST EN 1271:2014

01-december-2014

Nadomešča:

SIST EN 1271:2005

SIST EN 1271:2005/AC:2006

Oprema športnih igrišč - Oprema za odbojko - Funkcionalne in varnostne zahteve ter preskusne metode

Playing field equipment - Volleyball equipment - Functional and safety requirements, test methods

iTeh STANDARD PREVIEW
(standards.iten.ai)

Spielfeldgeräte - Volleyballgeräte - Funktionelle und sicherheitstechnische Anforderungen, Prüfverfahren

Équipements de jeux - Équipements de volley-ball - Exigences fonctionnelles et de sécurité, méthodes d'essai

[SIST EN 1271:2014](https://standards.iten.ai/catalog/standards/sist/388200de-aa2b-4448-9727-6ecdb292f6cb/sist-en-1271-2014)

<https://standards.iten.ai/catalog/standards/sist/388200de-aa2b-4448-9727-6ecdb292f6cb/sist-en-1271-2014>

Ta slovenski standard je istoveten z: EN 1271:2014

ICS:

97.220.30 Oprema za dvoranske športe Indoor sports equipment

SIST EN 1271:2014

en,fr,de

iTeh STANDARD PREVIEW
(standards.iteh.ai)

SIST EN 1271:2014

<https://standards.iteh.ai/catalog/standards/sist/389200de-aa2b-4448-9727-6eedb292f6cb/sist-en-1271-2014>

EUROPEAN STANDARD
NORME EUROPÉENNE
EUROPÄISCHE NORM

EN 1271

October 2014

ICS 97.220.30; 97.220.40

Supersedes EN 1271:2004

English Version

Playing field equipment - Volleyball equipment - Functional and safety requirements, test methods

Équipements de jeux - Équipements de volley-ball -
Exigences fonctionnelles et de sécurité, méthodes d'essai

Spielfeldgeräte - Volleyballgeräte - Funktionelle und
sicherheitstechnische Anforderungen, Prüfverfahren

This European Standard was approved by CEN on 6 September 2014.

CEN members are bound to comply with the CEN/CENELEC Internal Regulations which stipulate the conditions for giving this European Standard the status of a national standard without any alteration. Up-to-date lists and bibliographical references concerning such national standards may be obtained on application to the CEN-CENELEC Management Centre or to any CEN member.

This European Standard exists in three official versions (English, French, German). A version in any other language made by translation under the responsibility of a CEN member into its own language and notified to the CEN-CENELEC Management Centre has the same status as the official versions.

CEN members are the national standards bodies of Austria, Belgium, Bulgaria, Croatia, Cyprus, Czech Republic, Denmark, Estonia, Finland, Former Yugoslav Republic of Macedonia, France, Germany, Greece, Hungary, Iceland, Ireland, Italy, Latvia, Lithuania, Luxembourg, Malta, Netherlands, Norway, Poland, Portugal, Romania, Slovakia, Slovenia, Spain, Sweden, Switzerland, Turkey and United Kingdom.

[SIST EN 1271:2014](https://standards.iteh.ai/catalog/standards/sist/389200de-aa2b-4448-9727-6eedb292f6cb/sist-en-1271-2014)

<https://standards.iteh.ai/catalog/standards/sist/389200de-aa2b-4448-9727-6eedb292f6cb/sist-en-1271-2014>



EUROPEAN COMMITTEE FOR STANDARDIZATION
COMITÉ EUROPÉEN DE NORMALISATION
EUROPÄISCHES KOMITEE FÜR NORMUNG

CEN-CENELEC Management Centre: Avenue Marnix 17, B-1000 Brussels

Contents	Page
Foreword.....	3
1 Scope	4
2 Normative references	4
3 Requirements	4
3.1 Tolerances	4
3.2 Classification	4
3.3 Dimensions	5
3.4 Material	8
3.4.1 Posts	8
3.4.2 Net	9
3.4.3 Antenna	9
3.5 Design	9
3.5.1 Posts	9
3.5.2 Net	9
3.5.3 Antennae	10
3.5.4 Ground sockets	10
4 Safety requirements	10
4.1 General	10
4.2 Posts, tensioning devices, rope and rope attachments	10
4.3 Post pads	11
4.4 Base assembly	11
5 Test methods	11
5.1 General	11
5.2 Testing of posts, tensioning devices, rope and rope attachments	11
6 Instructions for use	14
7 Marking	15
Annex A (informative) Example of foundation	16
Bibliography	17

iTeh STANDARD PREVIEW
(standards.iteh.ai)

[SIST EN 1271:2014](https://standards.iteh.ai/catalog/standards/sist/589200dc-aa2b-4448-9727-6cedb292f0cb/sist-en-1271-2014)

[https://standards.iteh.ai/catalog/standards/sist/589200dc-aa2b-4448-9727-](https://standards.iteh.ai/catalog/standards/sist/589200dc-aa2b-4448-9727-6cedb292f0cb/sist-en-1271-2014)

[6cedb292f0cb/sist-en-1271-2014](https://standards.iteh.ai/catalog/standards/sist/589200dc-aa2b-4448-9727-6cedb292f0cb/sist-en-1271-2014)

Foreword

This document (EN 1271:2014) has been prepared by Technical Committee CEN/TC 136 "Sports, playground and other recreational facilities and equipment", the secretariat of which is held by DIN.

This European Standard shall be given the status of a national standard, either by publication of an identical text or by endorsement, at the latest by April 2015 and conflicting national standards shall be withdrawn at the latest by April 2015.

Attention is drawn to the possibility that some of the elements of this document may be the subject of patent rights. CEN [and/or CENELEC] shall not be held responsible for identifying any or all such patent rights.

NOTE It is planned that the standard will be listed in the Official Journal of the European Union, therefore a standardization request has been launched to the European Commission (GSPD Committee).

This document supersedes EN 1271:2004.

In relation to EN 1271:2004, the following main amendments have been made:

- a) scope was modified regarding umpire stand;
- b) sitting volleyball was considered;
- c) dimensions were modified;
- d) material requirements were modified;
- e) net breaking strength requirements were modified;
- f) breaking forces of ropes/net lines were modified;
- g) breaking forces for the top net line were modified;
- h) breaking forces for the net tape were deleted;
- i) antennae requirement regarding colouring was modified;
- j) safety requirements for the posts, tensioning devices, rope and rope attachments were modified;
- k) safety requirements for post pads detailed;
- l) test method and test forces for the posts, tensioning devices, rope and rope attachments were modified (overall test);
- m) instruction for use was modified;
- n) marking was detailed.

According to the CEN-CENELEC Internal Regulations, the national standards organizations of the following countries are bound to implement this European Standard: Austria, Belgium, Bulgaria, Croatia, Cyprus, Czech Republic, Denmark, Estonia, Finland, Former Yugoslav Republic of Macedonia, France, Germany, Greece, Hungary, Iceland, Ireland, Italy, Latvia, Lithuania, Luxembourg, Malta, Netherlands, Norway, Poland, Portugal, Romania, Slovakia, Slovenia, Spain, Sweden, Switzerland, Turkey and the United Kingdom.

EN 1271:2014 (E)**1 Scope**

This European Standard specifies the functional requirements (see Clause 3) and the safety requirements (see Clause 4) for volleyball equipment.

This European Standard is applicable to 2 types and 5 classes of volleyball equipment (see 3.2) which are used indoors and outdoors.

This European Standard is not applicable to beach volleyball.

This European Standard does not cover umpire stand (for the 1st official referee).

2 Normative references

The following documents, in whole or in part, are normatively referenced in this document and are indispensable for its application. For dated references, only the edition cited applies. For undated references, the latest edition of the referenced document (including any amendments) applies.

EN 913:2008, *Gymnastic equipment — General safety requirements and test methods*

EN ISO 1806, *Fishing nets — Determination of mesh breaking force of netting (ISO 1806)*

EN ISO 2307, *Fibre ropes — Determination of certain physical and mechanical properties (ISO 2307)*

ISO 3108, *Steel wire ropes for general purposes — Determination of actual breaking load*

3 Requirements**3.1 Tolerances**

If not otherwise specified in this standard, a tolerance of 2 % applies.

3.2 Classification

Volleyball equipment shall be classified by the design (types) and the intended level of the sport (classes) as shown in Table 1 and Table 2.

Table 1 — Types

Type	Description	Example
1	with ground sockets/fixings	Figure 1
2	with floor fixings	Figure 2

Table 2 — Classes

Class	Description
A	top level competitions ^a
B	club level ^b competitions
C	practice and school sports
D	sitting top level competitions ^a
E	sitting for practice and school sports
^a	If top level competitions are played under FIVB rules, then refer to FIVB rules.
^b	If club level competitions are played under national federation rules, then refer to national federation rules

3.3 Dimensions

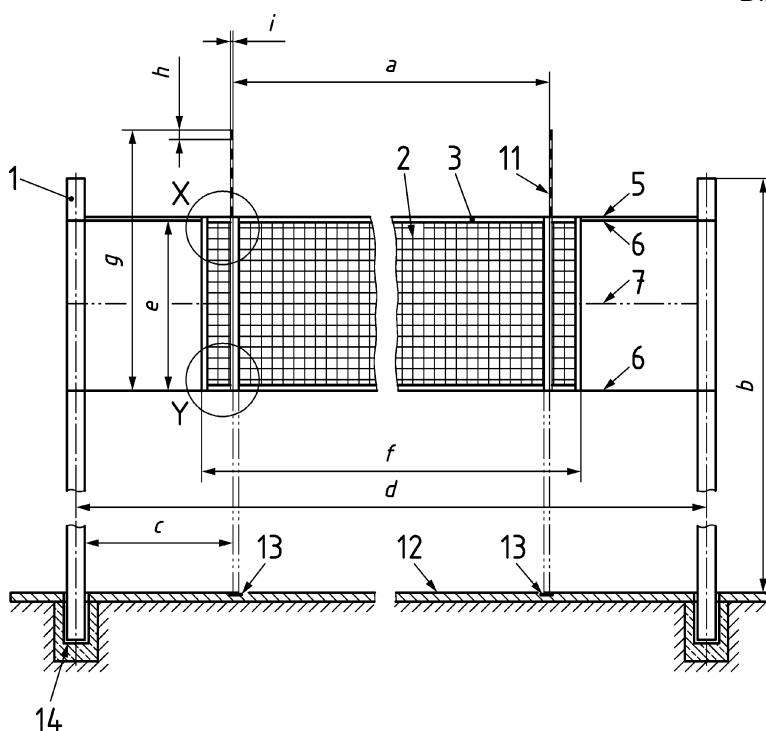
Volleyball equipment shall comply with the dimensions shown in Figure 1 and Table 3.

iTeh STANDARD PREVIEW (standards.iteh.ai)

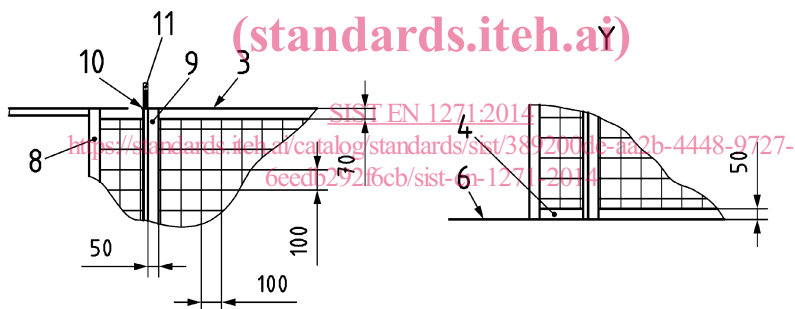
SIST EN 1271:2014

<https://standards.iteh.ai/catalog/standards/sist/389200de-aa2b-4448-9727-6eedb292f6cb/sist-en-1271-2014>

Dimensions in millimetres



STANDARD PREVIEW
(standards.iteh.ai)

**Key**

1	post	8	edge reinforcement
2	net	9	side band
3	upper edge band	10	antenna pocket (alternative to 9)
4	lower edge band	11	antennae
5	top net line	12	sport surface
6	tension ropes	13	court line
7	tension rope (optional)	14	ground socket

For example of foundations see Annex A.

NOTE The height of the net (top net line) is specified by the International and/or National federation(s)

Figure 1 — Volleyball equipment Type 1

Table 3 — Sizes of volleyball equipment Type 1

Dimensions in millimetres

	Class A	Class B	Class C	Class D	Class E
a	9 000 ± 30			6 000 ± 30	
b	2 550 ⁺¹⁰⁰ ₀ ^b			1 250 ⁺¹⁰⁰ ₀ ^b	
c ^a	500 to 1 000				
d ^a	11 000 max.			8 000 to 11 000	
e	1 000 ± 30			800 ± 30	
f	9 500 to 10 000			6 500 to 7 000	
g	1 800 ± 20				
h	100 ± 1				
i	10 ± 1				
a	The values shall be measured at finished floor level.				
b	Telescopic posts shall be extendable up to the given height.				

A complete volleyball equipment **Type 1** shall have the following components:

- a)** 2 posts (1 with tensioning device and 1 with rope attachment);
- b)** 2 post pads;
- c)** 2 ground sockets;
- d)** 1 net;
- e)** 2 antennae (Classes A, B and D);
- f)** 2 side bands (Classes A, B and D).

iTech STANDARD PREVIEW
(standards.iteh.ai)
SIST EN 1271:2014
<https://standards.iteh.ai/catalog/standards/sist/389200de-aa2b-4448-9727-6eedb292f6cb/sist-en-1271-2014>