



SLOVENSKI STANDARD
oSIST prEN 1271:2013
01-september-2013

Oprema športnih igrišč - Oprema za odbojko - Funkcionalne in varnostne zahteve ter preskusne metode

Playing field equipment - Volleyball equipment - Functional and safety requirements, test methods

Spielfeldgeräte - Volleyballgeräte - Funktionelle und sicherheitstechnische Anforderungen, Prüfverfahren

Équipements de jeux - Équipements de volley-ball - Exigences fonctionnelles et de sécurité, méthodes d'essai

Ta slovenski standard je istoveten z: prEN 1271

ICS:

97.220.30 Oprema za dvoranske športe Indoor sports equipment

oSIST prEN 1271:2013

en,fr,de

EUROPEAN STANDARD
NORME EUROPÉENNE
EUROPÄISCHE NORM

DRAFT
prEN 1271

June 2013

ICS 97.220.30; 97.220.40

Will supersede EN 1271:2004

English Version

Playing field equipment - Volleyball equipment - Functional and safety requirements, test methods

Équipements de jeux - Équipements de volley-ball -
Exigences fonctionnelles et de sécurité, méthodes d'essai

Spielfeldgeräte - Volleyballgeräte - Funktionelle und
sicherheitstechnische Anforderungen, Prüfverfahren

This draft European Standard is submitted to CEN members for enquiry. It has been drawn up by the Technical Committee CEN/TC 136.

If this draft becomes a European Standard, CEN members are bound to comply with the CEN/CENELEC Internal Regulations which stipulate the conditions for giving this European Standard the status of a national standard without any alteration.

This draft European Standard was established by CEN in three official versions (English, French, German). A version in any other language made by translation under the responsibility of a CEN member into its own language and notified to the CEN-CENELEC Management Centre has the same status as the official versions.

CEN members are the national standards bodies of Austria, Belgium, Bulgaria, Croatia, Cyprus, Czech Republic, Denmark, Estonia, Finland, Former Yugoslav Republic of Macedonia, France, Germany, Greece, Hungary, Iceland, Ireland, Italy, Latvia, Lithuania, Luxembourg, Malta, Netherlands, Norway, Poland, Portugal, Romania, Slovakia, Slovenia, Spain, Sweden, Switzerland, Turkey and United Kingdom.

Recipients of this draft are invited to submit, with their comments, notification of any relevant patent rights of which they are aware and to provide supporting documentation.

Warning : This document is not a European Standard. It is distributed for review and comments. It is subject to change without notice and shall not be referred to as a European Standard.



EUROPEAN COMMITTEE FOR STANDARDIZATION
COMITÉ EUROPÉEN DE NORMALISATION
EUROPÄISCHES KOMITEE FÜR NORMUNG

Management Centre: Avenue Marnix 17, B-1000 Brussels

Contents		Page
Foreword.....		3
1	Scope	4
2	Normative references	4
3	Requirements	4
3.1	Tolerances	4
3.2	Classification.....	4
3.3	Dimensions.....	5
3.4	Material	8
3.4.1	Posts	8
3.4.2	Net	9
3.4.3	Antenna.....	9
3.5	Design	9
3.5.1	Posts	9
3.5.2	Net	9
3.5.3	Antennae.....	10
3.5.4	Ground sockets.....	10
4	Safety requirements	10
4.1	General.....	10
4.2	Posts, tensioning devices, rope and rope attachments	10
4.3	Post pads.....	11
4.4	Base assembly	11
5	Test methods.....	11
5.1	General.....	11
5.2	Testing of posts, tensioning devices, rope and rope attachments	11
6	Instructions for use	13
7	Marking	14
Annex A (informative) Example of foundation		15
Bibliography		16

Foreword

This document (prEN 1271:2013) has been prepared by Technical Committee CEN/TC 136 "Sports, playground and other recreational facilities and equipment", the secretariat of which is held by DIN.

This document is currently submitted to the CEN Enquiry.

This document will supersede EN 1271:2004.

In relation to EN 1271:2004, the following main amendments have been made:

- a) scope was modified regarding umpire stand;
- b) sitting volleyball was considered;
- c) dimensions were modified;
- d) material requirements were modified;
- e) net breaking strength requirements were modified;
- f) breaking forces of ropes/net lines were modified;
- g) breaking forces for the top net line were modified;
- h) breaking forces for the net tape were deleted;
- i) antennae requirement regarding colouring was modified;
- j) safety requirements for the posts, tensioning devices, rope and rope attachments were modified
- k) safety requirements for post pads detailed;
- l) test method and test forces for the posts, tensioning devices, rope and rope attachments were modified (overall test);
- m) instruction for use was modified;
- n) marking was detailed.

prEN 1271:2013 (E)**1 Scope**

This document specifies the functional requirements (see Clause 3) and the safety requirements (see Clause 4) for volleyball equipment.

This document is applicable to 2 types and 5 classes of volleyball equipment (see 3.2) which are used indoors and outdoors.

This document is not applicable to beach volleyball.

This document does not cover umpire stand (for the 1st official referee).

2 Normative references

The following documents, in whole or in part, are normatively referenced in this document and are indispensable for its application. For dated references, only the edition cited applies. For undated references, the latest edition of the referenced document (including any amendments) applies.

EN 913:1996, *Gymnastic equipment — General safety requirements and test methods*

EN ISO 1806, *Fishing nets — Determination of mesh breaking force of netting*

EN ISO 2307, *Fibre ropes — Determination of certain physical and mechanical properties*

ISO 3108, *Steel wire ropes for general purposes — Determination of actual breaking load*

3 Requirements**3.1 Tolerances**

If not otherwise specified in this standard, a tolerance of 2 % applies.

3.2 Classification

Volleyball equipment shall be classified by the design (types) and the intended level of the sport (classes) as shown in Tables 1 and 2.

Table 1 — Types

Type	Description	Example
1	with ground sockets/fixings	Figure 1
2	with floor fixings	Figure 2

Table 2 — Classes

Class	Description
A	top level competitions ^a
B	club level ^b competitions
C	practice and school sports
D	sitting top level competitions ^a
E	sitting for practice and school sports
^a	If top level competitions are played under FIVB rules, then refer to FIVB rules.
^b	If club level competitions are played under national federation rules, then refer to national federation rules

3.3 Dimensions

Volleyball equipment shall comply with the dimensions shown in Figure 1 and Table 3.

The height of the net for classes A, B and C shall be 2 430 mm \pm 2 mm for men and 2 240 mm \pm 2 mm for women, measured from the centre of the playing court.

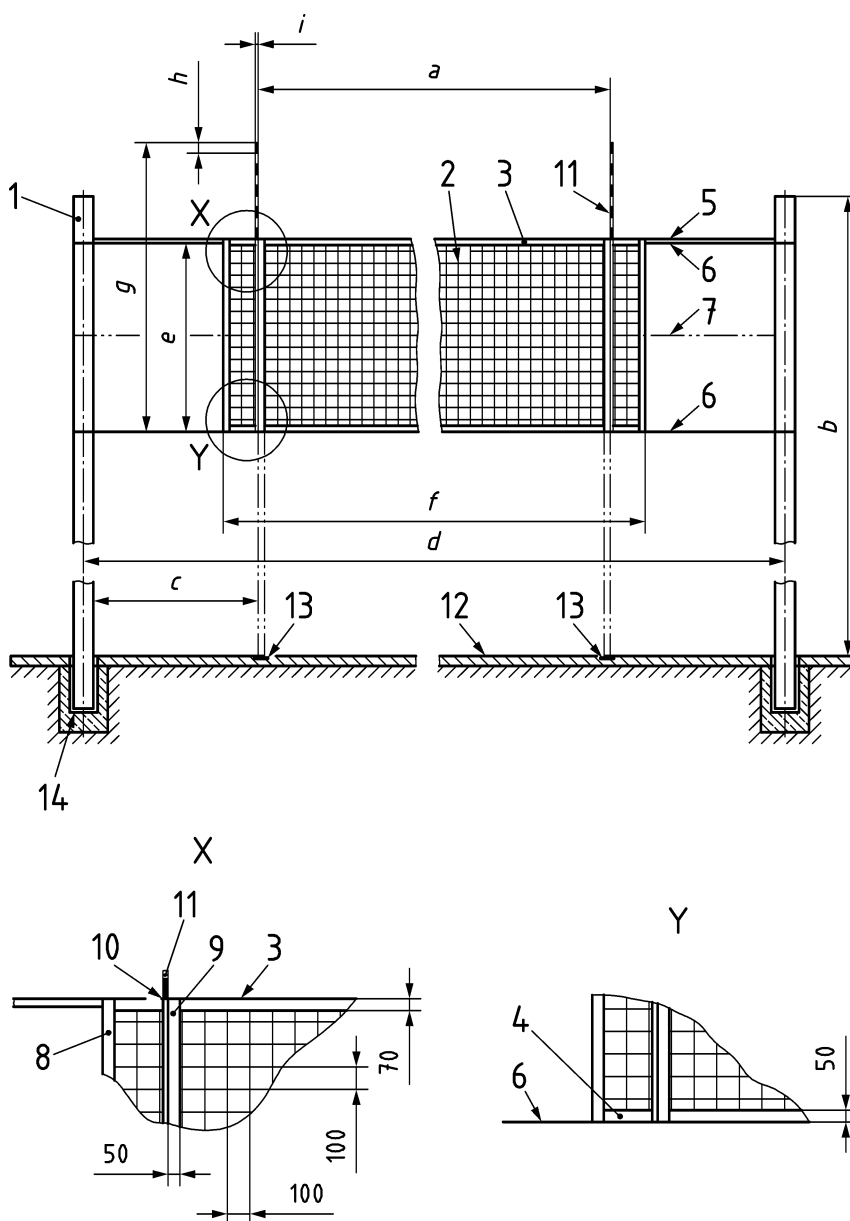
For class A the net height (over the two court lines) shall be exactly the same and shall not exceed the official height by more than 20 mm.

The height of the net for classes D and E shall be 1 150 mm \pm 2 mm for men and 1 050 mm \pm 2 mm for women, measured from the centre of the playing court.

For class D the net height (over the two court lines) shall be exactly the same and shall not exceed the official height by more than 20 mm.

NOTE The height of the net may be reduced for specific age groups.

Dimensions in millimetres



Key

- | | |
|---------------------------|--------------------------------------|
| 1 post | 8 edge reinforcement |
| 2 net | 9 side band |
| 3 upper edge band | 10 antenna pocket (alternative to 9) |
| 4 lower edge band | 11 antennae |
| 5 top net line | 12 sport surface |
| 6 tension ropes | 13 court line |
| 7 tension rope (optional) | 14 ground socket |

For example of foundations see Annex A.

NOTE The height of the net is specified by the International and/or national federation(s)

Figure 1 — Volleyball equipment Type 1