



SLOVENSKI STANDARD

SIST EN 747-1:2012

01-november-2012

Nadomešča:

SIST EN 13453-1:2004

SIST EN 747-1:2007

Pohištvo - Pogradi in visoke postelje - 1. del: Zahteve za varnost, trdnost in trajnost

Furniture - Bunk beds and high beds - Part 1: Safety, strength and durability requirements

iTeh STANDARD PREVIEW

Möbel - Etagenbetten und Hochbetten - Teil 1: Anforderungen an die Sicherheit, Festigkeit und Dauerhaltbarkeit

[SIST EN 747-1:2012](https://standards.iteh.ai/catalog/standards/sist/01d7-b9a-3d3a-4e1f9c62-2feb01a1077/sist-en-747-1-2012)

Meubles - Lits superposés et lits surélevés - Partie 1: Exigences de sécurité, de résistance et de durabilité

Ta slovenski standard je istoveten z: EN 747-1:2012

ICS:

97.140 Pohištvo Furniture

SIST EN 747-1:2012 en,fr,de

iTeh STANDARD PREVIEW
(standards.iteh.ai)

[SIST EN 747-1:2012](https://standards.iteh.ai/catalog/standards/sist/01d3cb9a-3d3a-4e1f-9c63-2feb01a1077/sist-en-747-1-2012)

<https://standards.iteh.ai/catalog/standards/sist/01d3cb9a-3d3a-4e1f-9c63-2feb01a1077/sist-en-747-1-2012>

EUROPEAN STANDARD
NORME EUROPÉENNE
EUROPÄISCHE NORM

EN 747-1

April 2012

ICS 97.140

Supersedes EN 13453-1:2004, EN 747-1:2007

English Version

Furniture - Bunk beds and high beds - Part 1: Safety, strength and durability requirements

Meubles - Lits superposés et lits surélevés - Partie 1:
Exigences de sécurité, de résistance et de durabilité

Möbel - Etagenbetten und Hochbetten - Teil 1:
Anforderungen an die Sicherheit, Festigkeit und
Dauerhaltbarkeit

This European Standard was approved by CEN on 8 March 2012.

CEN members are bound to comply with the CEN/CENELEC Internal Regulations which stipulate the conditions for giving this European Standard the status of a national standard without any alteration. Up-to-date lists and bibliographical references concerning such national standards may be obtained on application to the CEN-CENELEC Management Centre or to any CEN member.

This European Standard exists in three official versions (English, French, German). A version in any other language made by translation under the responsibility of a CEN member into its own language and notified to the CEN-CENELEC Management Centre has the same status as the official versions.

CEN members are the national standards bodies of Austria, Belgium, Bulgaria, Croatia, Cyprus, Czech Republic, Denmark, Estonia, Finland, France, Germany, Greece, Hungary, Iceland, Ireland, Italy, Latvia, Lithuania, Luxembourg, Malta, Netherlands, Norway, Poland, Portugal, Romania, Slovakia, Slovenia, Spain, Sweden, Switzerland, Turkey and United Kingdom.

[SIST EN 747-1:2012](https://standards.iteh.ai/catalog/standards/sist/01d3cb9a-3d3a-4e1f-9c63-2feb01a1077/sist-en-747-1-2012)

<https://standards.iteh.ai/catalog/standards/sist/01d3cb9a-3d3a-4e1f-9c63-2feb01a1077/sist-en-747-1-2012>



EUROPEAN COMMITTEE FOR STANDARDIZATION
COMITÉ EUROPÉEN DE NORMALISATION
EUROPÄISCHES KOMITEE FÜR NORMUNG

Management Centre: Avenue Marnix 17, B-1000 Brussels

Contents

Page

Foreword.....	3
Introduction	4
1 Scope	5
2 Normative references	5
3 Terms and definitions	5
4 Safety requirements	6
4.1 Construction.....	6
4.1.1 General.....	6
4.1.2 Accessible holes gaps and openings.....	7
4.1.3 Bed base(s).....	8
4.1.4 Safety barriers.....	8
4.1.5 Ladder or other means of access	9
Strength of ladder or other means of access -	10
4.2 Attachment, deflection and strength	10
4.3 Strength of frame and fastenings	10
4.4 Stability	10
4.5 Fastening of the upper bed to the lower bed	10
5 Instructions for use	11
6 Marking	12

[SIST EN 747-1:2012](https://standards.iteh.ai/catalog/standards/sist/01d3cb9a-3d3a-4e1f-9c63-2feb01a1077/sist-en-747-1-2012)

<https://standards.iteh.ai/catalog/standards/sist/01d3cb9a-3d3a-4e1f-9c63-2feb01a1077/sist-en-747-1-2012>

Foreword

This document (EN 747-1:2012) has been prepared by Technical Committee CEN/TC 207 "Furniture", the secretariat of which is held by UNI.

This European Standard shall be given the status of a national standard, either by publication of an identical text or by endorsement, at the latest by October 2012, and conflicting national standards shall be withdrawn at the latest by October 2012.

Attention is drawn to the possibility that some of the elements of this document may be the subject of patent rights. CEN [and/or CENELEC] shall not be held responsible for identifying any or all such patent rights.

This document supersedes EN 747-1:2007 and EN 13453-1:2004.

Compared to EN 747-1:2007 and EN 13453-1:2004, the following modifications have been made:

— Subclause 4.1.1 *General* includes 4 options for protruding parts depending on the sizes of the part.

EN 747 is divided into the following parts:

- EN 747-1, *Furniture — Bunk beds and high beds — Part 1: Safety, strength and durability requirements*;
- EN 747-2, *Furniture — Bunk beds and high beds — Part 2: Test methods*.

It should be noted that the changes made to Part 2 are of importance for Part 1 because information regarding loads and forces is contained in Part 2.

According to the CEN/CENELEC Internal Regulations, the national standards organizations of the following countries are bound to implement this European Standard: Austria, Belgium, Bulgaria, Croatia, Cyprus, Czech Republic, Denmark, Estonia, Finland, France, Germany, Greece, Hungary, Iceland, Ireland, Italy, Latvia, Lithuania, Luxembourg, Malta, Netherlands, Norway, Poland, Portugal, Romania, Slovakia, Slovenia, Spain, Sweden, Switzerland, Turkey and the United Kingdom.

Introduction

This part of EN 747 specifies requirements for bunk beds and high beds for use by one occupant per bed.

iTeh STANDARD PREVIEW (standards.iteh.ai)

[SIST EN 747-1:2012](https://standards.iteh.ai/catalog/standards/sist/01d3cb9a-3d3a-4e1f-9c63-2feb01a1077/sist-en-747-1-2012)

<https://standards.iteh.ai/catalog/standards/sist/01d3cb9a-3d3a-4e1f-9c63-2feb01a1077/sist-en-747-1-2012>

1 Scope

This European Standard specifies requirements for the safety, strength and durability of bunk beds and high beds for domestic and non-domestic use. The loads and forces in the strength and durability tests apply to beds with an internal length greater than 140 cm and a maximum bed base width of 120 cm.

The dimensional requirements are intended to minimise the risk of accidents, particularly to children.

The strength and durability requirements are intended to represent use by one occupant per bed.

Safety requirements for other products included in a bunk bed/high bed, for example a table or storage furniture, are not included in this standard.

This European Standard does not apply to bunk beds and high beds used for special purposes, including but not limited to prison, the military and fire brigades.

2 Normative references

The following documents, in whole or in part, are normatively referenced in this document and are indispensable for its application. For dated references, only the edition cited applies. For undated references, the latest edition of the referenced document (including any amendments) applies.

EN 747-2:2012, *Furniture — Bunk beds and high beds — Part 2: Test methods*

3 Terms and definitions

For the purposes of this document, the following terms and definitions apply.

3.1

bunk bed

set of components that can be assembled as beds, one above the other, where the upper surface of the top bed base is 800 mm or more above the floor

3.2

high bed

set of components that can be assembled as a bed, where the upper surface of the top bed base is 800 mm or more above the floor, irrespective of the use to which the space below is put

3.3

bed end structures

upright unit at the head and foot of the bed to which the side rails are attached

3.4

bed base

support structure for a mattress

3.5

safety barrier

component intended to prevent an occupant from falling out of the upper bed or the high bed

3.6

side rail

longitudinal member attached to the bed end structure by which the bed base can be supported

EN 747-1:2012 (E)**3.7****tread**

structure intended as a foothold, including ladder rungs and steps

4 Safety requirements**4.1 Construction****4.1.1 General**

Accessible edges and corners shall be rounded or chamfered and free from burrs or sharp edges.

There shall be no open ended tubes.

All assembly and pilot holes shall be made by the manufacturer.

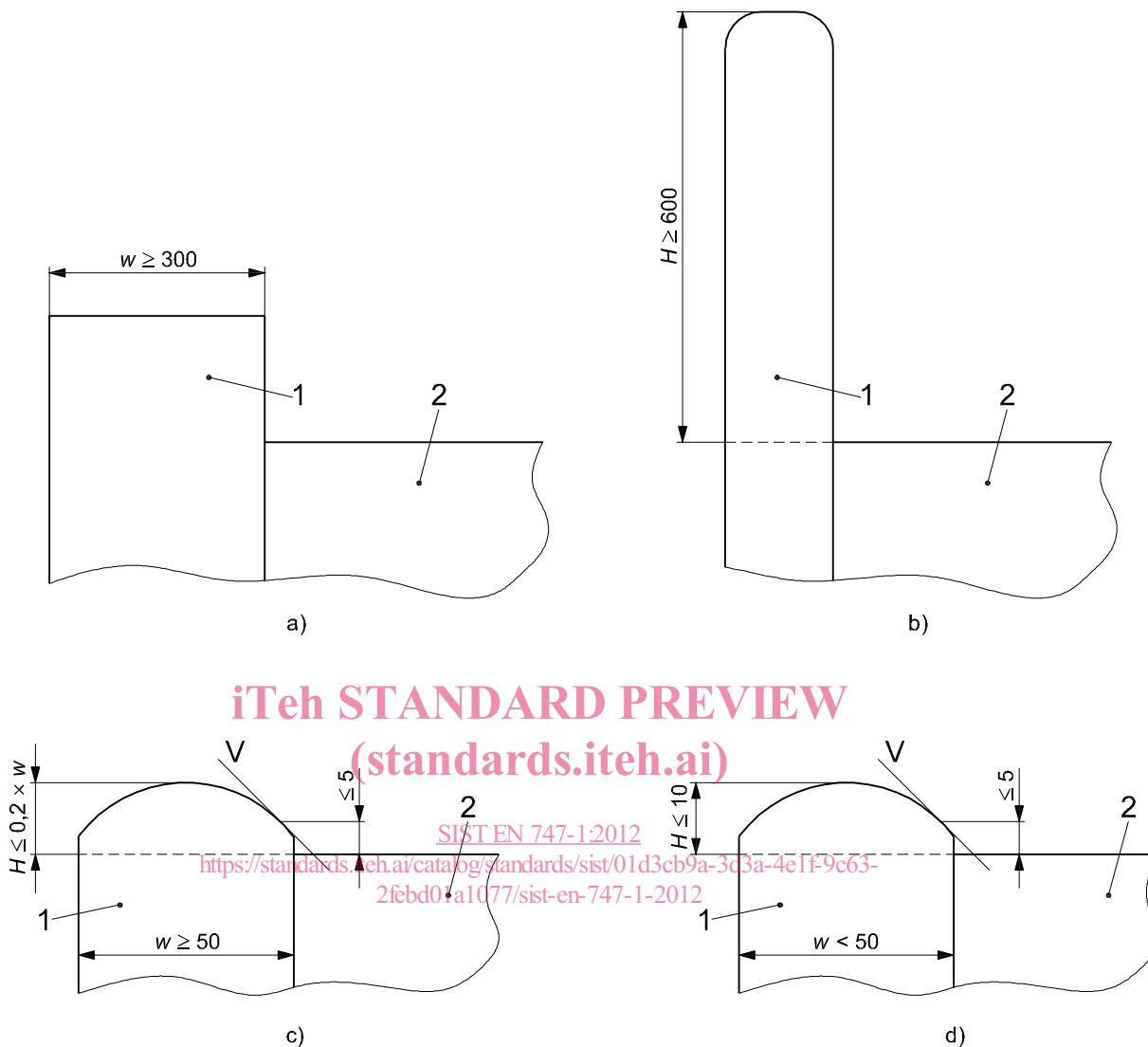
Vertically protruding parts on the top of the upper bed shall either:

- a) have an uninterrupted minimum horizontal dimension of 300 mm without any other vertical protrusion (see Figure 1 a), or
- b) have an uninterrupted vertical dimension of at least 600 mm measured from the highest adjacent part (see Figure 1 b), or
- c) where the largest dimension is 50 mm or more (see Figure 1), have a maximum height at which a line, drawn at 45° touches it, of not more than 5 mm above at least one adjacent/adjoining horizontal component; the maximum vertical protrusion above that component shall not exceed 20 % of the largest horizontal dimension of parts (see Figure 1 c), or
- d) where the largest dimension is less than 50 mm, have a maximum height at which a line, drawn at 45° touches it, of not more than 5 mm above at least one adjacent/adjoining horizontal component; the maximum vertical protrusion above that component shall not exceed 10 mm (see Figure 1) of parts (see Figure 1 d).

It shall not be possible to dismantle the bed or its components without the use of a tool.

The dimensional requirements apply both before and after testing without re-tightening.

Dimension in millimetres

**Key**

- 1 Vertically protruding part
- 2 Highest adjacent part
- w Width of protruding part
- H Height of protruding part
- V 45° angle to the horizontal

Figure 1 — Examples of a vertically protruding part**4.1.2 Accessible holes gaps and openings**

There shall be no accessible holes, gaps or openings with a diameter/width greater than 7 mm and less than 12 mm, unless the depth is less than 10 mm when tested according to 5.3 of EN 747-2:2012.

Additionally, accessible holes, gaps and openings in safety barriers, bed bases and treads, shall fulfil the requirements specified in the respective clauses, i.e. 4.1.3 Bed base(s), 4.1.4 Safety barriers and 4.1.5 Ladder or other means of access.