



SLOVENSKI STANDARD
SIST EN 13022-1:2006+A1:2010
01-september-2010

Nadomešča:
SIST EN 13022-1:2006

Steklo v gradbeništvu - Strukturna zasteklitve - 1. del: Stekljeni proizvodi za strukturne zasteklitve za podprte in nepodprte monolitne in sestavljene zasteklitve

Glass in building - Structural sealant glazing - Part 1: Glass products for structural sealant glazing systems for supported and unsupported monolithic and multiple glazing

Glas im Bauwesen - Geklebte Verglasungen - Teil 1: Glasprodukte für SSG-Systeme - Einfach- und Mehrfachverglasungen mit und ohne Abtragung des Eigengewichtes

Verre dans la construction - Vitrage extérieur collé (VEC) - Partie 1: Produits verriers pour les systèmes de vitrage extérieurs collés pour produits monolithiques et produits multiples calés et non calés

Ta slovenski standard je istoveten z: EN 13022-1:2006+A1:2010

ICS:

81.040.20 Steklo v gradbeništvu Glass in building

SIST EN 13022-1:2006+A1:2010 en,fr,de

iTeh STANDARD PREVIEW
(standards.iteh.ai)

SIST EN 13022-1:2006+A1:2010

<https://standards.iteh.ai/catalog/standards/sist/38b8c33f-60f7-4a64-9e41-179871b651c0/sist-en-13022-1-2006a1-2010>

EUROPEAN STANDARD
NORME EUROPÉENNE
EUROPÄISCHE NORM

EN 13022-1:2006+A1

April 2010

ICS 01.040.81; 81.040.20

Supersedes EN 13022-1:2006

English Version

Glass in building - Structural sealant glazing - Part 1: Glass products for structural sealant glazing systems for supported and unsupported monolithic and multiple glazing

Verre dans la construction - Vitrage extérieur collé (VEC) -
Partie 1: Produits verriers pour les systèmes de vitrage
extérieurs collés pour produits monolithiques et produits
multiples calés et non calés

Glas im Bauwesen - Geklebte Verglasungen - Teil 1:
Glasprodukte für SSG-Systeme - Einfach- und
Mehrfachverglasungen mit und ohne Abtragung des
Eigengewichtes

This European Standard was approved by CEN on 13 March 2006 and includes Amendment 1 approved by CEN on 23 February 2010.

CEN members are bound to comply with the CEN/CENELEC Internal Regulations which stipulate the conditions for giving this European Standard the status of a national standard without any alteration. Up-to-date lists and bibliographical references concerning such national standards may be obtained on application to the CEN Management Centre or to any CEN member.

This European Standard exists in three official versions (English, French, German). A version in any other language made by translation under the responsibility of a CEN member into its own language and notified to the CEN Management Centre has the same status as the official versions.

CEN members are the national standards bodies of Austria, Belgium, Bulgaria, Croatia, Cyprus, Czech Republic, Denmark, Estonia, Finland, France, Germany, Greece, Hungary, Iceland, Ireland, Italy, Latvia, Lithuania, Luxembourg, Malta, Netherlands, Norway, Poland, Portugal, Romania, Slovakia, Slovenia, Spain, Sweden, Switzerland and United Kingdom.



EUROPEAN COMMITTEE FOR STANDARDIZATION
COMITÉ EUROPÉEN DE NORMALISATION
EUROPÄISCHES KOMITEE FÜR NORMUNG

Management Centre: Avenue Marnix 17, B-1000 Brussels

Contents

Page

Foreword.....	4
1 Scope	5
2 Normative references	8
3 Symbols, terminology, terms and definitions.....	9
3.1 Symbols	9
3.2 Terminology	10
3.3 Terms and definitions	11
4 Characteristics of glass products - requirements.....	12
4.1 Appropriate glass products	12
4.2 Dimensional tolerances	13
4.3 Glass shapes	13
4.3.1 Curved glass	13
4.4 Corners, notches and holes	13
5 Verification of the suitability of glass products for use in SSG systems when exposed to UV radiation.....	14
5.1 General.....	14
5.2 Insulating glass unit (IGU)	14
5.2.1 Situation 1 (see Figure 2 of the scope).....	14
5.2.2 Situation 2 (see Figure 2 of the scope).....	15
5.2.3 Coated glass.....	15
5.2.4 Possibility to substitute the outer IGU seal – General case.....	16
5.2.5 Possibility to substitute the outer IGU seal – Case of unsupported glass: Further requirements	16
5.3 Monolithic glass or laminated glass, Situation 3 (see Figure 2).....	16
5.4 Assessment of the adhesion between the sealant and the glass	16
5.4.1 Clear float	16
5.4.2 Coated glass.....	16
5.4.3 Enamelled glass.....	17
5.4.4 Patterned glass	17
6 Design	17
6.1 Calculation of the thickness of the glass.....	17
6.2 Calculation of the height of the outer sealant of the insulating glass unit for supported and unsupported glazing	17
6.2.1 Supported insulating glass unit.....	17
6.3 Calculation of the height of the outer sealant of the insulating glass unit for unsupported glazing.....	21
6.3.1 Calculation of the height regarding the relevant combined load of the wind, snow and self weight.....	21
6.3.2 Calculation of the height of the outer seal to bear the permanent shear loading	21
7 Minimum glass thickness	22
7.1 General case.....	22
7.2 Case of glass with worked edges	23

Annex A (informative) Assembly recommendations	24
A.1 Setting blocks for monolithic glass, laminated glass and insulating glass units	24
A.1.1 General case	24
A.1.2 Supporting the self-weight of a monolithic glass	26
A.2 Water drainage from the system	26
Bibliography	27

iTeh STANDARD PREVIEW
(standards.iteh.ai)

[SIST EN 13022-1:2006+A1:2010](https://standards.iteh.ai/catalog/standards/sist/38b8c33f-60f7-4a64-9e41-179871b651c0/sist-en-13022-1-2006a1-2010)

<https://standards.iteh.ai/catalog/standards/sist/38b8c33f-60f7-4a64-9e41-179871b651c0/sist-en-13022-1-2006a1-2010>

EN 13022-1:2006+A1:2010 (E)**Foreword**

This document (EN 13022-1:2006+A1:2010) has been prepared by Technical Committee CEN/TC 129 “Glass in building”, the secretariat of which is held by NBN.

This European Standard shall be given the status of a national standard, either by publication of an identical text or by endorsement, at the latest by October 2010, and conflicting national standards shall be withdrawn at the latest by October 2010.

Attention is drawn to the possibility that some of the elements of this document may be the subject of patent rights. CEN [and/or CENELEC] shall not be held responsible for identifying any or all such patent rights.

This document includes Amendment 1, approved by CEN on 2010-02-23.

This document supersedes EN 13022-1:2006.

The start and finish of text introduced or altered by amendment is indicated in the text by tags **A1** **A1**.

A1 This document has been prepared under a mandate given to CEN by the European Commission and the European Free Trade Association, and supports essential requirements of EU Directive(s). **A1**

This Part of the standard is one of a series of interrelated standards dealing with:

- glass products for structural sealant glazing systems;
- installation of glass products in a structural manner on building façades;
- UV-resistant and structural sealant for use in structural sealant glazing.

The interrelated parts are:

- EN 13022-1: Glass in building — Structural sealant glazing — Part 1: Glass products for structural sealant glazing systems for supported and unsupported monolithic and multiple glazing
- EN 13022-2: Glass in building — Structural sealant glazing — Part 2: Assembly rules
- EN 15434: Glass in building — Product standard for structural and/or ultra-violet resistant sealant (for use with structural sealant glazing and/or insulating glass units with exposed seals)

According to the CEN/CENELEC Internal Regulations, the national standards organizations of the following countries are bound to implement this European Standard: Austria, Belgium, Bulgaria, Croatia, Cyprus, Czech Republic, Denmark, Estonia, Finland, France, Germany, Greece, Hungary, Iceland, Ireland, Italy, Latvia, Lithuania, Luxembourg, Malta, Netherlands, Norway, Poland, Portugal, Romania, Slovakia, Slovenia, Spain, Sweden, Switzerland and United Kingdom.

1 Scope

This European Standard specifies requirements for the suitability for use of supported and unsupported glass products for use in “Structural Sealant Glazing” (SSG) applications. Four schematic drawings of SSG systems are shown in Figure 1 and three section drawings of an SSG type II system are shown in Figure 2 for illustration purposes. This European Standard on glass products is considered as a supplement to the requirements specified in the corresponding standards with regard to verifying the suitability for use in SSG systems.

Only soda lime silicate glasses are taken into consideration in this European Standard.

Plastic glazing is excluded from the scope of this European Standard.

Any glass products meeting the requirements of this European Standard are suitable for use in SSG systems as defined in ETAG 002¹⁾ “Structural sealant glazing system”.

All glass products are installed and bonded into the support under controlled environmental conditions as described in Clause 5 of EN 13022-2:2006.

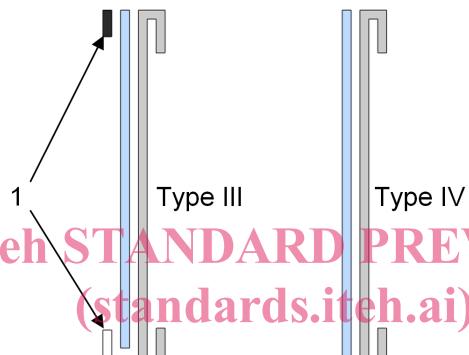
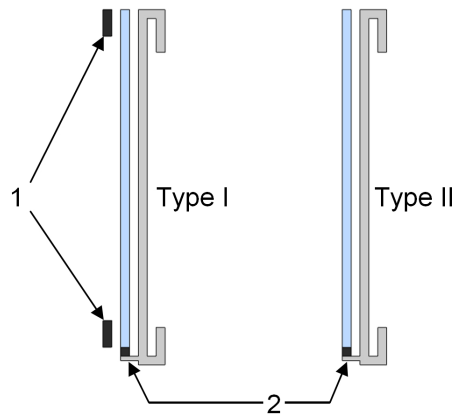
When the outer seal of the insulating glass unit has a structural function and/or is exposed to UV radiation without any protection, only silicone based sealant are permitted in the construction of the unit.

iTeh STANDARD PREVIEW (standards.iteh.ai)

[SIST EN 13022-1:2006+A1:2010](https://standards.iteh.ai/catalog/standards/sist/38b8c33f-60f7-4a64-9e41-179871b651c0/sist-en-13022-1-2006a1-2010)

<https://standards.iteh.ai/catalog/standards/sist/38b8c33f-60f7-4a64-9e41-179871b651c0/sist-en-13022-1-2006a1-2010>

1) ETAG: European Technical Approval Guideline



iTeH STANDARD PREVIEW
(standards.iteh.ai)
SIST EN 13022-1:2006+A1:2010
<https://standards.iteh.ai/catalog/standards/sist/38b8c33f-60f7-4a64-9e41-179871b651c0/sist-en-13022-1-2006a1-2010>



Key

- 1 retaining device to reduce danger in case of bond failure
- 2 mechanical self-weight support
- 3 structural sealant support frame

Figure 1 — Schematic examples of the different types of SSG

A1 NOTE 1 Retaining devices may be required by national regulations.

NOTE 2 In case of laminated glass and laminated safety glass, SSGS of types III and IV may be forbidden by national regulation. **A1**

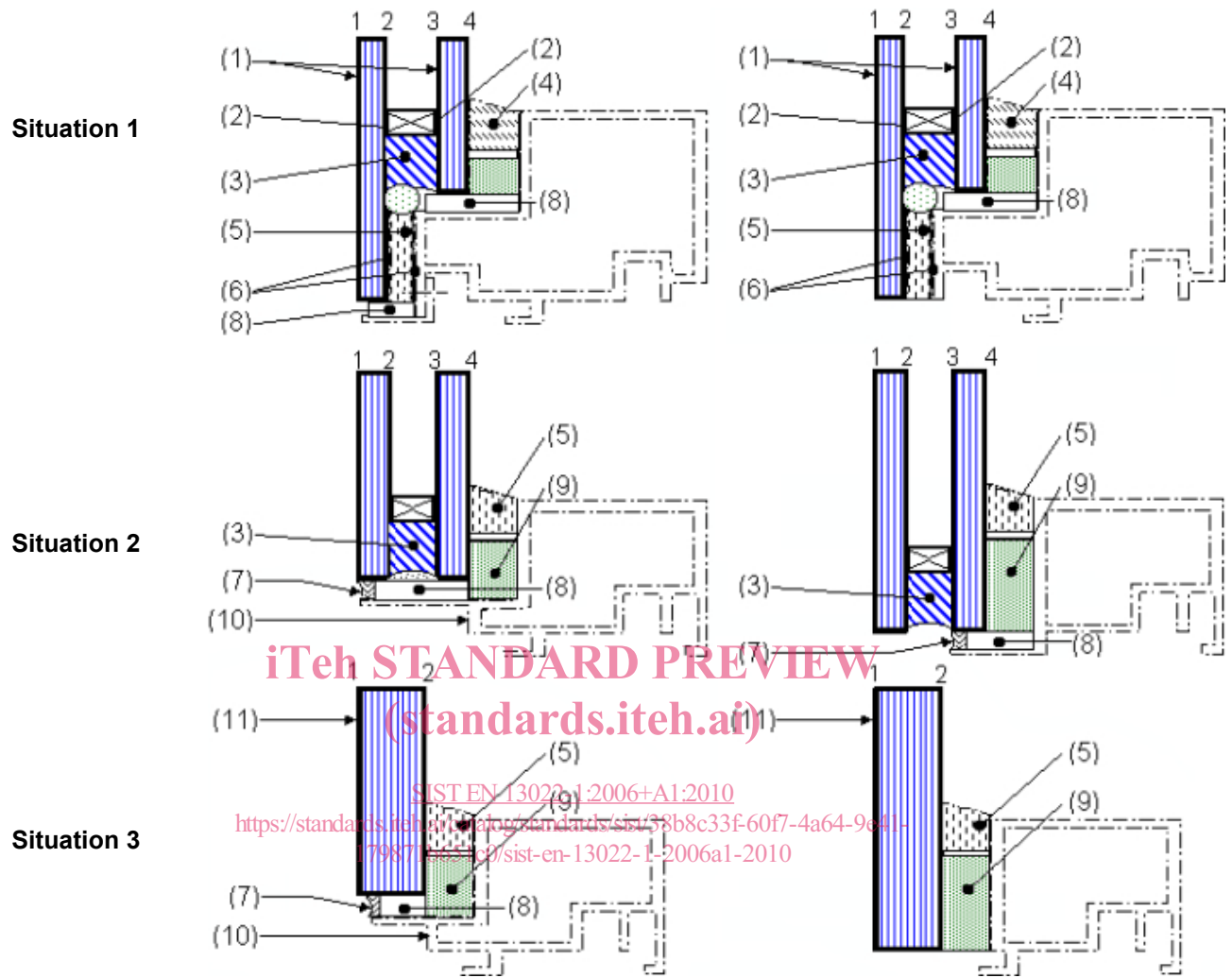


Figure 2 — Scope

A1 NOTE 3 **A1** The section drawings above are examples of structural sealant glazing system type II and IV.

EN 13022-1:2006+A1:2010 (E)**SITUATION 1**

The SSG seal is applied on face 2 of the insulating glass unit. The outer IGU sealant has no structural function and therefore only contributes to the resistance of the unit against the ingress of water (vapour and liquid) and air. Depending on the type and construction of the IGU sealant any leakage of gas from the unit will be minimised. The SSG seal need to have good adhesion to the glass and steel surfaces to withstand the mechanical stresses that results from the exposure of the IGU to the climatic elements and in particular the effects of solar radiation.

SITUATION 2

The SSG seal is applied on face 4 of the insulating glass unit. The outer IGU sealant has a structural function as well as having to maintain the integrity and performance of the IGU. Any stress or loads applied to the outer glass will be transferred to the IGU sealant.

SITUATION 3

The SSG seal is applied on face 2 of A_1 the laminated glass or laminated safety glass or monolithic glass unit A_1 . The sealant has a structural function and any loads applied to the glass will be transferred to it.

A_1 NOTE 4 In case of laminated glass and laminated safety glass, SSGS of types III and IV may be forbidden by national regulation. A_1

2 Normative references

ITeh STANDARD PREVIEW
(standards-iteh.ai)

The following referenced documents are indispensable for the application of this European Standard. For dated references, only the edition cited applies. For undated references, the latest edition of the referenced document (including any amendments) applies.

- <https://standards.iteh.ai/catalog/standards/sist/5866c53f-9017-4a07-bc11-179871b651c0/sist-en-13022-1-2006a1-2010>
- EN 572-2, *Glass in building — Basic soda lime silicate glass products — Part 2: Float glass*
- EN 572-4, *Glass in building — Basic soda lime silicate glass products — Part 4: Drawn sheet glass*
- EN 572-5, *Glass in building — Basic soda lime silicate glass products — Part 5: Patterned glass*
- EN 1096 (all parts), *Glass in building — Coated glass*
- EN 1279 (all parts), *Glass in building — Insulating glass units*
- EN 1863 (all parts), *Glass in building — Heat strengthened soda lime silicate glass*
- EN 1991-1-4, *Eurocode 1: Actions on structures — Part 1-4: General actions — Wind actions*
- EN 12150 (all parts), *Glass in building — Thermally toughened soda lime silicate safety glass*
- prEN 13474 (all parts), *Glass in building — Design of glass panes²⁾*
- EN 14179 (all parts), *Glass in building — Heat soaked thermally toughened soda lime silicate safety glass*
- EN 15434:2006, *Glass in building — Product standard for structural and/or ultra-violet resistant sealant (for use with structural sealant glazing and/or insulating glass units with exposed seals)*
- EN ISO 12543 (all parts), *Glass in building — Laminated glass and laminated safety glass*

²⁾ Under preparation

3 Symbols, terminology, terms and definitions

3.1 Symbols

<i>a</i>	minimum dimension of glass	m
<i>b</i>	maximum dimension of glass	m
<i>d</i>	width of insulating glass unit air space	mm
<i>h</i>	height of insulating glass unit hermetic seal	mm
<i>P</i>	relevant combined load for wind, snow and self weight	Pa
<i>R</i>	distance between structural seal and glass edge	mm
<i>S</i>	glass area	m ²
σ	allowable stress in the sealant	MPa
β	coefficient depending on the relative thickness of insulating glass panes	
Δa	maximum difference in altitude between production transport and assembly at site	m

iTeh STANDARD PREVIEW (standards.iteh.ai)

[SIST EN 13022-1:2006+A1:2010](https://standards.iteh.ai/catalog/standards/sist/38b8c33f-60f7-4a64-9e41-179871b651c0/sist-en-13022-1-2006a1-2010)

<https://standards.iteh.ai/catalog/standards/sist/38b8c33f-60f7-4a64-9e41-179871b651c0/sist-en-13022-1-2006a1-2010>