
**Rigid cellular plastics — Determination of
tensile properties**

*Plastiques alvéolaires rigides — Détermination des caractéristiques en
traction*

iTeh STANDARD PREVIEW
(standards.iteh.ai)

[ISO 1926:2005](https://standards.iteh.ai/catalog/standards/sist/b8876fb3-3fc9-4911-8200-8ee231335714/iso-1926-2005)

[https://standards.iteh.ai/catalog/standards/sist/b8876fb3-3fc9-4911-8200-
8ee231335714/iso-1926-2005](https://standards.iteh.ai/catalog/standards/sist/b8876fb3-3fc9-4911-8200-8ee231335714/iso-1926-2005)



PDF disclaimer

This PDF file may contain embedded typefaces. In accordance with Adobe's licensing policy, this file may be printed or viewed but shall not be edited unless the typefaces which are embedded are licensed to and installed on the computer performing the editing. In downloading this file, parties accept therein the responsibility of not infringing Adobe's licensing policy. The ISO Central Secretariat accepts no liability in this area.

Adobe is a trademark of Adobe Systems Incorporated.

Details of the software products used to create this PDF file can be found in the General Info relative to the file; the PDF-creation parameters were optimized for printing. Every care has been taken to ensure that the file is suitable for use by ISO member bodies. In the unlikely event that a problem relating to it is found, please inform the Central Secretariat at the address given below.

iTeh STANDARD PREVIEW
(standards.iteh.ai)

[ISO 1926:2005](https://standards.iteh.ai/catalog/standards/sist/b8876fb3-3fc9-4911-8200-8ee231335714/iso-1926-2005)

<https://standards.iteh.ai/catalog/standards/sist/b8876fb3-3fc9-4911-8200-8ee231335714/iso-1926-2005>

© ISO 2005

All rights reserved. Unless otherwise specified, no part of this publication may be reproduced or utilized in any form or by any means, electronic or mechanical, including photocopying and microfilm, without permission in writing from either ISO at the address below or ISO's member body in the country of the requester.

ISO copyright office
Case postale 56 • CH-1211 Geneva 20
Tel. + 41 22 749 01 11
Fax + 41 22 749 09 47
E-mail copyright@iso.org
Web www.iso.org

Published in Switzerland

Contents

	Page
1 Scope	1
2 Normative references	1
3 Principle	1
4 Apparatus	1
5 Test specimens	2
6 Procedure (general method)	2
7 Calculation and expression of results	3
8 Variant — Use of metal plates	4
9 Precision	6
10 Test report	6

iTeh STANDARD PREVIEW (standards.iteh.ai)

[ISO 1926:2005](https://standards.iteh.ai/catalog/standards/sist/b8876fb3-3fc9-4911-8200-8ee231335714/iso-1926-2005)

<https://standards.iteh.ai/catalog/standards/sist/b8876fb3-3fc9-4911-8200-8ee231335714/iso-1926-2005>

Foreword

ISO (the International Organization for Standardization) is a worldwide federation of national standards bodies (ISO member bodies). The work of preparing International Standards is normally carried out through ISO technical committees. Each member body interested in a subject for which a technical committee has been established has the right to be represented on that committee. International organizations, governmental and non-governmental, in liaison with ISO, also take part in the work. ISO collaborates closely with the International Electrotechnical Commission (IEC) on all matters of electrotechnical standardization.

International Standards are drafted in accordance with the rules given in the ISO/IEC Directives, Part 2.

The main task of technical committees is to prepare International Standards. Draft International Standards adopted by the technical committees are circulated to the member bodies for voting. Publication as an International Standard requires approval by at least 75 % of the member bodies casting a vote.

Attention is drawn to the possibility that some of the elements of this document may be the subject of patent rights. ISO shall not be held responsible for identifying any or all such patent rights.

ISO 1926 was prepared by Technical Committee ISO/TC 61, *Plastics*, Subcommittee SC 10, *Cellular plastics*.

This third edition cancels and replaces the second edition (ISO 1926:1979), which has been technically revised.

ITEH STANDARD PREVIEW
(standards.iteh.ai)

[ISO 1926:2005](https://standards.iteh.ai/catalog/standards/sist/b8876fb3-3fc9-4911-8200-8ee231335714/iso-1926-2005)

<https://standards.iteh.ai/catalog/standards/sist/b8876fb3-3fc9-4911-8200-8ee231335714/iso-1926-2005>

Rigid cellular plastics — Determination of tensile properties

1 Scope

This International Standard specifies a method of determining the behaviour of rigid cellular plastics materials when they are subjected to a tensile stress.

It applies primarily to cellular materials having a compression resistance sufficient to permit suitable gripping of the test specimens. If it is impossible to grip the test specimen, the method is modified so that the ends of the specimen are reinforced with metal plates (see Clause 8).

The relationship between cell size and test specimen size must be such that the test is realistic.

2 Normative references

The following referenced documents are indispensable for the application of this document. For dated references, only the edition cited applies. For undated references, the latest edition of the referenced document (including any amendments) applies.

ISO 291, *Plastics — Standard atmospheres for conditioning and testing*

ISO 5725-2, *Accuracy (trueness and precision) of measurement methods and results — Part 2: Basic method for the determination of repeatability and reproducibility of a standard measurement method*

3 Principle

A test specimen of a given shape is subjected to a tensile stress transmitted to the test specimen by means of a suitable device and corresponding stress-strain curve is plotted.

4 Apparatus

The test machine shall be such that:

- a) It has clamps suitable for holding the test specimen. These clamps shall meet the following requirements:
 - 1) they shall close sufficiently tightly on the faces of the test specimen to avoid slipping;
 - 2) they shall not exert, on any part of the ends of the test specimen, localized pressure which could cause tears, deformations or ruptures.

In cases of difficulty, use the variant described in Clause 8.

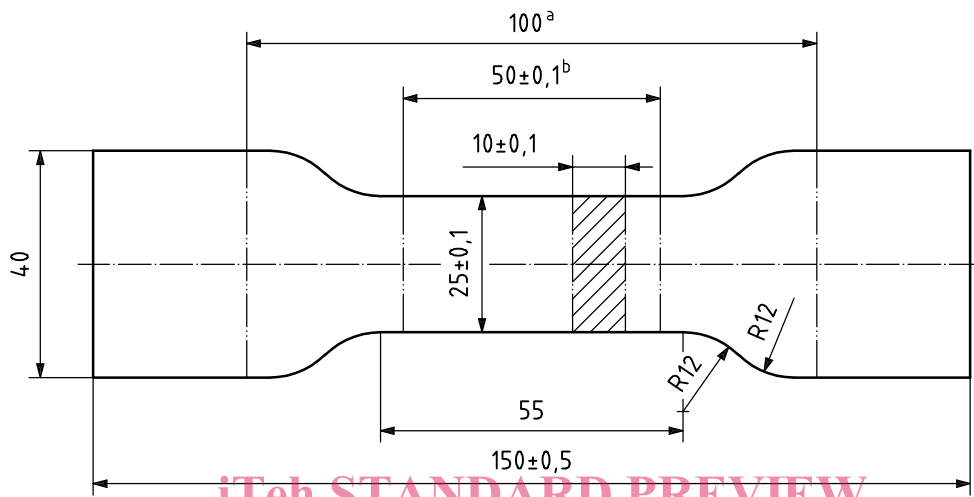
- b) The movable clamp can be moved, with the test specimen in place, away from the fixed clamp at a constant speed of (5 ± 1) mm/min in a direction parallel to the longitudinal axis of the test specimen.
- c) The force thus exerted on the test specimen can be determined with a maximum error of 1 %, and can be recorded.
- d) If an extensometer is used, it shall exert a minimum force on the test specimen and shall permit the increase in gauge length of the test specimen to be read to an accuracy of 0,1 mm. The distance between the two parallel surfaces defining the extensometer gauge length shall not vary by more than 1 % (tolerance on parallelism).

5 Test specimens

5.1 Dimensions

The test specimens shall have the shape and dimensions shown in Figure 1.

Dimensions in millimetres



^a Distance between jaws.

^b Gauge length.

ISO 1926:2005
Figure 1 — Test specimen
<https://standards.iteh.ai/catalog/standards/siv/68676fb3-3fc9-4911-8200-8ee231335714/iso-1926-2005>

5.2 Preparation and conditioning

Remove any moulding skin from the test specimens, trimming their surfaces with a mechanical saw and, if necessary, machining them, but without modifying the structure.

When necessary, mark the test specimens so as to indicate their orientation in relation to the direction of anisotropy.

Condition the test specimens either in accordance with the requirements of ISO 291 for a period of not less than 24 h or in accordance with the relevant material specification.

5.3 Number of test specimens

The test shall be carried out on at least five test specimens; any test specimens which break outside the extensometer gauge length shall be rejected and, if necessary, the number of test specimens subjected to the test shall be increased so that the number of significant results is not less than five.

If it is necessary to use more than seven test specimens to obtain five valid readings, use the method described in Clause 8.

6 Procedure (general method)

Carry out the test in a room in which the atmosphere is maintained at one of the sets of conditions defined in ISO 291.

Place the test specimen between the clamps. If necessary, proceed in accordance with Clause 8. Mark the original gauge length on the test specimen.

Apply the force to be exerted on the test specimen in such a way that it is uniformly distributed by the movable grip, the rate of displacement of which shall be (5 ± 1) mm/min.

If an extensometer is not used, record the elongation corresponding to a given force at suitable intervals.

Plot the stress-strain curve.

7 Calculation and expression of results

7.1 Elongation

The elongation e , expressed as a percentage of the original gauge length, is given by the equation

$$e = \frac{\Delta L_0}{L_0} \times 100$$

where

L_0 is the original gauge length of the test specimen, expressed in millimetres;

ΔL_0 is the increase in gauge length of the test specimen at a given force, measured from the variation in distance between the gauge marks, expressed in millimetres.

Calculate in particular (after determination, from the stress-strain curve, of the corresponding elongations)

- the elongation e_{\max} at maximum stress (if applicable);
- the elongation e_r at rupture.

7.2 Tensile strength

The maximum tensile stress σ_{\max} (where applicable), expressed in kilopascals, is given by the equation

$$\sigma_{\max} = \frac{F_{\max}}{b \times h} \times 10^3$$

where

F_{\max} is the maximum force applied to the test specimen during the test, expressed in newtons;

b is the original width of the narrow parallel-sided section of the test specimen, expressed in millimetres;

h is the original thickness of the narrow parallel-sided section of the test specimen, expressed in millimetres.

7.3 Breaking stress

The tensile stress at rupture σ_r , expressed in kilopascals, is given by the equation

$$\sigma_r = \frac{F_r}{b \times h} \times 10^3$$

where

F_r is the force applied to the test specimen at the moment of rupture, expressed in newtons;

b and h have the same meaning as in 7.2.

8 Variant — Use of metal plates

8.1 General

This variant differs from the general method in that the ends of the test specimens are modified to allow them to be bonded to reinforcing metal plates.

Consequently, follow the directions given in Clauses 4 to 7, taking into account the following modifications.

8.2 Apparatus

8.2.1 Test machine, designed in such a way that

- a) a test specimen having the shape and dimensions shown in Figure 2 can be held between two clamps each comprising two cylinders of diameter 30 mm orthogonal to the plane of the test specimen, one of the clamps being fixed and the other movable, the force being transmitted equally by each of the four cylinders;
- b) see Clause 4;
- c) see Clause 4;
- d) see Clause 4.

ISO 1926:2005
<https://standards.iteh.ai/catalog/standards/sist/b8876fb3-3fc9-4911-8200-8bc217307141/iso-1926:2005>

8.2.2 Metal plates, of the form and dimensions shown in Figure 2, four are required for each test specimen subjected to the test. (Plates of aluminium alloy or anodized aluminium are likely to be satisfactory.)

8.2.3 Adhesive, for fixing the metal plates to the test specimens. It shall be such that the shear strength of the adhesive film is greater than that of the cellular material under test, so as to avoid any slipping of the test specimen on the plates. Preliminary tests shall make it possible to verify that the elongation of this film can be disregarded in the determination of the elongation of the test specimen. In addition, the adhesive film shall not appreciably modify the characteristics of the cellular material. (An epoxide resin base adhesive is likely to be satisfactory.)

8.3 Test specimens

8.3.1 Dimensions

The test specimens shall have the shape and the dimensions shown in Figure 2.

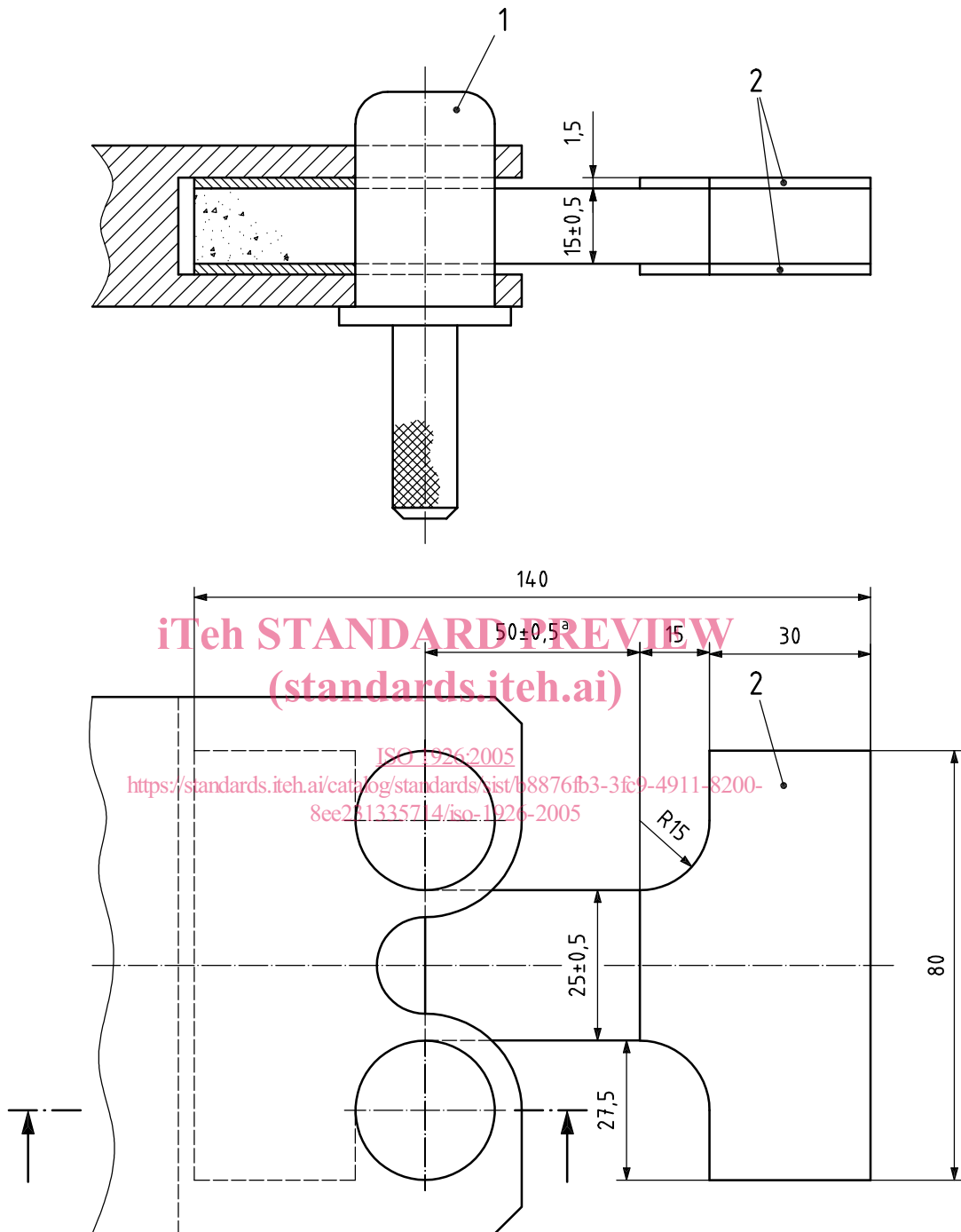
8.3.2 Preparation and conditioning

Bond four metal plates to the ends of each test specimen so that the plates exactly cover the ends of the specimen, as shown in Figure 2, in order to reinforce them.

Use a bonding jig which will hold the metal plates firmly in place, face to face, during bonding and during the setting time.

For conditioning of the test specimens, see 5.2.

Dimensions in millimetres



Key

1 lower assembly removed

2 metal plates

^a Gauge length.

Figure 2 — Test specimen with metal reinforcing plates