
**Road vehicles — Holding test of coatings
influencing the colour of light emitted by
light source(s) — Test methods**

*Véhicules routiers — Essai de tenue des revêtements influençant la
couleur du feu émis par la (les) source(s) lumineuse(s) — Méthodes
d'essai*

iTeh STANDARD PREVIEW
(standards.iteh.ai)

[ISO 22168:2006](https://standards.iteh.ai/catalog/standards/sist/3fcf9ae2-ac3b-4158-87c1-ba34fbe15658/iso-22168-2006)

[https://standards.iteh.ai/catalog/standards/sist/3fcf9ae2-ac3b-4158-87c1-
ba34fbe15658/iso-22168-2006](https://standards.iteh.ai/catalog/standards/sist/3fcf9ae2-ac3b-4158-87c1-ba34fbe15658/iso-22168-2006)



PDF disclaimer

This PDF file may contain embedded typefaces. In accordance with Adobe's licensing policy, this file may be printed or viewed but shall not be edited unless the typefaces which are embedded are licensed to and installed on the computer performing the editing. In downloading this file, parties accept therein the responsibility of not infringing Adobe's licensing policy. The ISO Central Secretariat accepts no liability in this area.

Adobe is a trademark of Adobe Systems Incorporated.

Details of the software products used to create this PDF file can be found in the General Info relative to the file; the PDF-creation parameters were optimized for printing. Every care has been taken to ensure that the file is suitable for use by ISO member bodies. In the unlikely event that a problem relating to it is found, please inform the Central Secretariat at the address given below.

iTeh STANDARD PREVIEW
(standards.iteh.ai)

ISO 22168:2006

<https://standards.iteh.ai/catalog/standards/sist/3fcf9ae2-ac3b-4158-87c1-ba34fbe15658/iso-22168-2006>

© ISO 2006

All rights reserved. Unless otherwise specified, no part of this publication may be reproduced or utilized in any form or by any means, electronic or mechanical, including photocopying and microfilm, without permission in writing from either ISO at the address below or ISO's member body in the country of the requester.

ISO copyright office
Case postale 56 • CH-1211 Geneva 20
Tel. + 41 22 749 01 11
Fax + 41 22 749 09 47
E-mail copyright@iso.org
Web www.iso.org

Published in Switzerland

Foreword

ISO (the International Organization for Standardization) is a worldwide federation of national standards bodies (ISO member bodies). The work of preparing International Standards is normally carried out through ISO technical committees. Each member body interested in a subject for which a technical committee has been established has the right to be represented on that committee. International organizations, governmental and non-governmental, in liaison with ISO, also take part in the work. ISO collaborates closely with the International Electrotechnical Commission (IEC) on all matters of electrotechnical standardization.

International Standards are drafted in accordance with the rules given in the ISO/IEC Directives, Part 2.

The main task of technical committees is to prepare International Standards. Draft International Standards adopted by the technical committees are circulated to the member bodies for voting. Publication as an International Standard requires approval by at least 75 % of the member bodies casting a vote.

Attention is drawn to the possibility that some of the elements of this document may be the subject of patent rights. ISO shall not be held responsible for identifying any or all such patent rights.

ISO 22168 was prepared by Technical Committee ISO/TC 22, *Road vehicles*, Subcommittee SC 8, *Lighting and signalling*.

iTeh STANDARD PREVIEW (standards.iteh.ai)

ISO 22168:2006

<https://standards.iteh.ai/catalog/standards/sist/3fcf9ae2-ac3b-4158-87c1-ba34fbe15658/iso-22168-2006>

iTeh STANDARD PREVIEW
(standards.iteh.ai)

ISO 22168:2006

<https://standards.iteh.ai/catalog/standards/sist/3fcf9ae2-ac3b-4158-87c1-ba34fbe15658/iso-22168-2006>

Road vehicles — Holding test of coatings influencing the colour of light emitted by light source(s) — Test methods

1 Scope

The aim of this International Standard is to define a method to test the durability of the coating of the bulb in order to meet the colorimetry of applicable normative requirements of this Standard.

2 Normative references

The following referenced documents are indispensable for the application of this document. For dated references, only the edition cited applies. For undated references, the latest edition of the referenced document (including any amendments) applies.

IEC 60809, Edition 2.2 (2002-09), *Lamps for road vehicles — Dimensional, electrical and luminous requirements*, including Amendment 3 (2005-05)

3 Test methods

3.1 Standard test method

The Standard test method shall be compliant with IEC 60809, Annex K.

3.2 Accelerated test method

3.2.1 Test rack

The test rack shall consist of a waterproof box as specified in Figure 1.

3.2.2 Test condition

The test consists of the following:

- measuring the colorimetric characteristics of the bulb;
- inserting in the test rack 50 ml to 60 ml of distilled water;
- mounting the filament lamp.

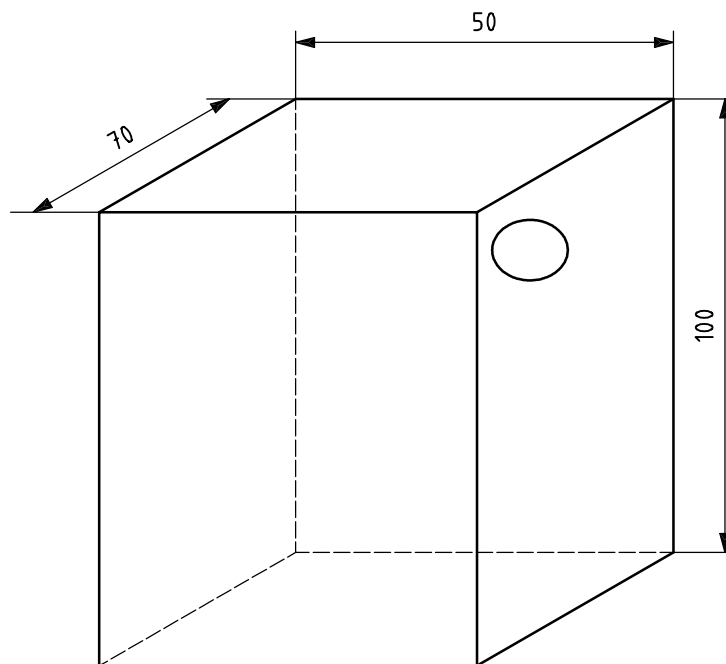


Figure 1 — Test rack
 iTeh STANDARD PREVIEW
 (standards.iteh.ai)

3.2.3 Operating cycle

The operating cycle consists of the following: [ISO 22168:2006](https://standards.iteh.ai/catalog/standards/sist/3fcf9ae2-ac3b-4158-87c1-ba34fbe15658/iso-22168-2006)
<https://standards.iteh.ai/catalog/standards/sist/3fcf9ae2-ac3b-4158-87c1-ba34fbe15658/iso-22168-2006>

- 1 h flashing mode under 13,5 v;
- frequency: 90 flashes/min;
- on/off ratio: 1/1;
- switch off: 1 h;
- total test duration: 72 h.

3.3 Measuring method of the colour of the light emitted

The measuring method shall be compliant with IEC 60809, Annex B.

4 Test results

After the test performed according to Clause 3, the colorimetric characteristics shall remain in the colorimetric zone prescribed for the use of the bulb. Furthermore, no cracks of the coating shall appear.

Bibliography

- [1] CIE Standard S 004-2001: *Colours of light signals*
- [2] CIE 15.2-1986: *Colorimetry*, 2nd Edition

iTeh STANDARD PREVIEW
(standards.iteh.ai)

[ISO 22168:2006](https://standards.iteh.ai/catalog/standards/sist/3fcf9ae2-ac3b-4158-87c1-ba34fbe15658/iso-22168-2006)

<https://standards.iteh.ai/catalog/standards/sist/3fcf9ae2-ac3b-4158-87c1-ba34fbe15658/iso-22168-2006>

iTeh STANDARD PREVIEW
(standards.iteh.ai)

ISO 22168:2006

<https://standards.iteh.ai/catalog/standards/sist/3fcf9ae2-ac3b-4158-87c1-ba34fbe15658/iso-22168-2006>

ICS 43.040.20

Price based on 3 pages