



# SLOVENSKI STANDARD

## SIST EN 3155-026:2012

01-januar-2012

Nadomešča:

SIST EN 3155-026:2008

SIST EN 3155-026:2008/AC:2008

---

**Aeronavtika - Električni kontakti za uporabo v veznih elementih - 026. del:  
Kontakti, električni, moški, tip A, nagubani, razred R - Standard za izdelek**

Aerospace series - Electrical contacts used in elements of connection - Part 026:  
Contacts, electrical, male, type A, crimp, class R - Product standard

**iTeh STANDARD PREVIEW**

Luft- und Raumfahrt - Elektrische Kontakte zur Verwendung in Verbindungselementen -  
Teil 026: Elektrische Stifkontakte, Typ A, crimpbar, Klasse R - Produktnorm

[SIST EN 3155-026:2012](https://standards.itih.si/catalog/standards/sist/0a2410c2-e5e6-45ca-ba9e-e5eb9becdc9a/sist-en-3155-026-2012)

Série aérospatiale - Contacts électriques utilisés dans les organes de connexion - Partie  
026: Contacts électriques, mâles, type A, à sertir, classe R - Norme de produit

**Ta slovenski standard je istoveten z: EN 3155-026:2010**

---

**ICS:**

49.060	Letalska in vesoljska električna oprema in sistemi	Aerospace electric equipment and systems
--------	---	---

**SIST EN 3155-026:2012**

**en,de**

**iTeh STANDARD PREVIEW**  
**(standards.iteh.ai)**

SIST EN 3155-026:2012

<https://standards.iteh.ai/catalog/standards/sist/0a24b0c2-e5e6-45ce-bca9-e5eb9becdc9a/sist-en-3155-026-2012>

EUROPEAN STANDARD

**EN 3155-026**

NORME EUROPÉENNE

EUROPÄISCHE NORM

October 2010

ICS 49.060

Supersedes EN 3155-026:2006

English Version

**Aerospace series - Electrical contacts used in elements of  
connection - Part 026: Contacts, electrical, male, type A, crimp,  
class R - Product standard**

Série aérospatiale - Contacts électriques utilisés dans les  
organes de connexion - Partie 026 : Contacts électriques,  
mâles, type A, à sertir, classe R - Norme de produit

Luft- und Raumfahrt - Elektrische Kontakte zur Verwendung  
in Verbindungselementen - Teil 026: Elektrische  
Stiftkontakte, Typ A, crimpbar, Klasse R - Produktnorm

This European Standard was approved by CEN on 26 June 2010.

CEN members are bound to comply with the CEN/CENELEC Internal Regulations which stipulate the conditions for giving this European Standard the status of a national standard without any alteration. Up-to-date lists and bibliographical references concerning such national standards may be obtained on application to the CEN Management Centre or to any CEN member.

This European Standard exists in three official versions (English, French, German). A version in any other language made by translation under the responsibility of a CEN member into its own language and notified to the CEN Management Centre has the same status as the official versions.

CEN members are the national standards bodies of Austria, Belgium, Bulgaria, Croatia, Cyprus, Czech Republic, Denmark, Estonia, Finland, France, Germany, Greece, Hungary, Iceland, Ireland, Italy, Latvia, Lithuania, Luxembourg, Malta, Netherlands, Norway, Poland, Portugal, Romania, Slovakia, Slovenia, Spain, Sweden, Switzerland and United Kingdom.

<https://standards.iteh.ai/catalog/standards/sist/0a24b0c2-e5e6-45ce-bca9-e5eb9becdc9a/sist-en-3155-026-2012>



EUROPEAN COMMITTEE FOR STANDARDIZATION  
COMITÉ EUROPÉEN DE NORMALISATION  
EUROPÄISCHES KOMITEE FÜR NORMUNG

**Management Centre: Avenue Marnix 17, B-1000 Brussels**

**Contents**

Page

Foreword.....	3
Introduction .....	4
1 Scope .....	5
2 Normative references .....	5
3 Terms and definitions .....	5
4 Required characteristics .....	6
4.1 Specific characteristics.....	6
4.2 Dimensions and mass.....	6
4.3 Marking by colour code .....	8
4.4 Material, surface treatment .....	9
4.5 Permissible cables.....	9
4.6 Tooling .....	9
4.7 Cable stripping.....	10
4.8 Tests.....	11
5 Designation .....	12
6 Marking .....	13
7 Technical specification .....	13

iTeh STANDARD PREVIEW  
(standards.iteh.ai)

SIST EN 3155-026:2012  
<https://standards.iteh.ai/catalog/standards/sist/0a24b0c2-e5e6-45ce-bca9-e5eb9becdc9a/sist-en-3155-026-2012>

## Foreword

This document (EN 3155-026:2010) has been prepared by the Aerospace and Defence Industries Association of Europe - Standardization (ASD-STAN).

After enquiries and votes carried out in accordance with the rules of this Association, this Standard has received the approval of the National Associations and the Official Services of the member countries of ASD, prior to its presentation to CEN.

This European Standard shall be given the status of a national standard, either by publication of an identical text or by endorsement, at the latest by April 2011, and conflicting national standards shall be withdrawn at the latest by April 2011.

Attention is drawn to the possibility that some of the elements of this document may be the subject of patent rights. CEN [and/or CENELEC] shall not be held responsible for identifying any or all such patent rights.

This document supersedes EN 3155-026:2006.

According to the CEN/CENELEC Internal Regulations, the national standards organizations of the following countries are bound to implement this European Standard: Austria, Belgium, Bulgaria, Croatia, Cyprus, Czech Republic, Denmark, Estonia, Finland, France, Germany, Greece, Hungary, Iceland, Ireland, Italy, Latvia, Lithuania, Luxembourg, Malta, Netherlands, Norway, Poland, Portugal, Romania, Slovakia, Slovenia, Spain, Sweden, Switzerland and the United Kingdom.

[SIST EN 3155-026:2012](https://standards.iteh.ai/catalog/standards/sist/0a24b0c2-e5e6-45ce-bca9-e5eb9becdc9a/sist-en-3155-026-2012)

<https://standards.iteh.ai/catalog/standards/sist/0a24b0c2-e5e6-45ce-bca9-e5eb9becdc9a/sist-en-3155-026-2012>

EN 3155-026:2010 (E)

## Introduction

The contacts defined by this standard are derived from those of AS 39029/93 and intermateable with those of AS 39029/94.

# iTeh STANDARD PREVIEW (standards.iteh.ai)

[SIST EN 3155-026:2012](https://standards.iteh.ai/catalog/standards/sist/0a24b0c2-e5e6-45ce-bca9-e5eb9becdc9a/sist-en-3155-026-2012)

<https://standards.iteh.ai/catalog/standards/sist/0a24b0c2-e5e6-45ce-bca9-e5eb9becdc9a/sist-en-3155-026-2012>

## 1 Scope

This standard specifies the required characteristics and tests applicable to male electrical contacts 026, type A, crimp, class R, used in elements of connection according to EN 3155-002.

It shall be used together with EN 3155-001.

The associated female contacts are defined in EN 3155-027.

## 2 Normative references

The following referenced documents are indispensable for the application of this document. For dated references, only the edition cited applies. For undated references, the latest edition of the referenced document (including any amendments) applies.

EN 2083, *Aerospace series — Copper and copper alloys conductors for electrical cables — Product standard*

EN 2591-100 (all parts), *Aerospace series — Elements of electrical and optical connection — Test methods — Part 100: General*

EN 3155-001:2009, *Aerospace series — Electrical contacts used in elements of connection — Part 001: Technical specification*

EN 3155-002, *Aerospace series — Electrical contacts used in elements of connection — Part 002: List and utilization of contacts*

EN 3155-027, *Aerospace series — Electrical contacts used in elements of connection — Part 027: Contacts, electrical, female, type A, crimp, class R — Product standard*

EN 3682-001, *Aerospace series — Connectors, plug and receptacle, electrical, rectangular, interchangeable insert type, rack to panel, operating temperature 150 °C continuous — Part 001: Technical specification*

ISO 8843, *Aircraft — Crimp-removable contacts for electrical connectors — Identification system*

MIL-DTL-22520, *Crimping tools, wire termination, general specification for*<sup>1)</sup>

MIL-I-81969, *Installing and removal tools, connector electrical contact, general specification for*<sup>1)</sup>

AS 39029, *Contacts, electrical connector, general specification for*<sup>2)</sup>

AS 39029/93, *Contacts, electrical connector, pin, crimp removable, (for DOD-C-83527, connectors)*<sup>2)</sup>

AS 39029/94, *Contacts, electrical connector, socket, crimp removable, (for DOD-C-83527, connectors)*<sup>2)</sup>

## 3 Terms and definitions

For the purposes of this document, the terms and definitions given in EN 3155-001:2009 apply.

---

1) Published by: Department of Defense (DoD), <http://www.defenselink.mil/>.

2) Published by: Society of Automotive Engineers (SAE) ([www.sae.org](http://www.sae.org)).

## EN 3155-026:2010 (E)

## 4 Required characteristics

### 4.1 Specific characteristics

Type A contacts are for general application and class R corresponds to an operating temperature range from – 65 °C to 150 °C.

### 4.2 Dimensions and mass

See Figure 1, Figure 2 and Table 1.

Dimensions and tolerances are given in millimetres and apply after surface treatment.

- Diameter general concentricity 

◎	∅ 0,06
---	--------
- Contact size 22 and 20 

◎	∅ 0,10	∅ A
---	--------	-----

◎	∅ 0,08	∅ B
---	--------	-----
- Contact size 16 and 12 

◎	∅ 0,15	∅ A
---	--------	-----

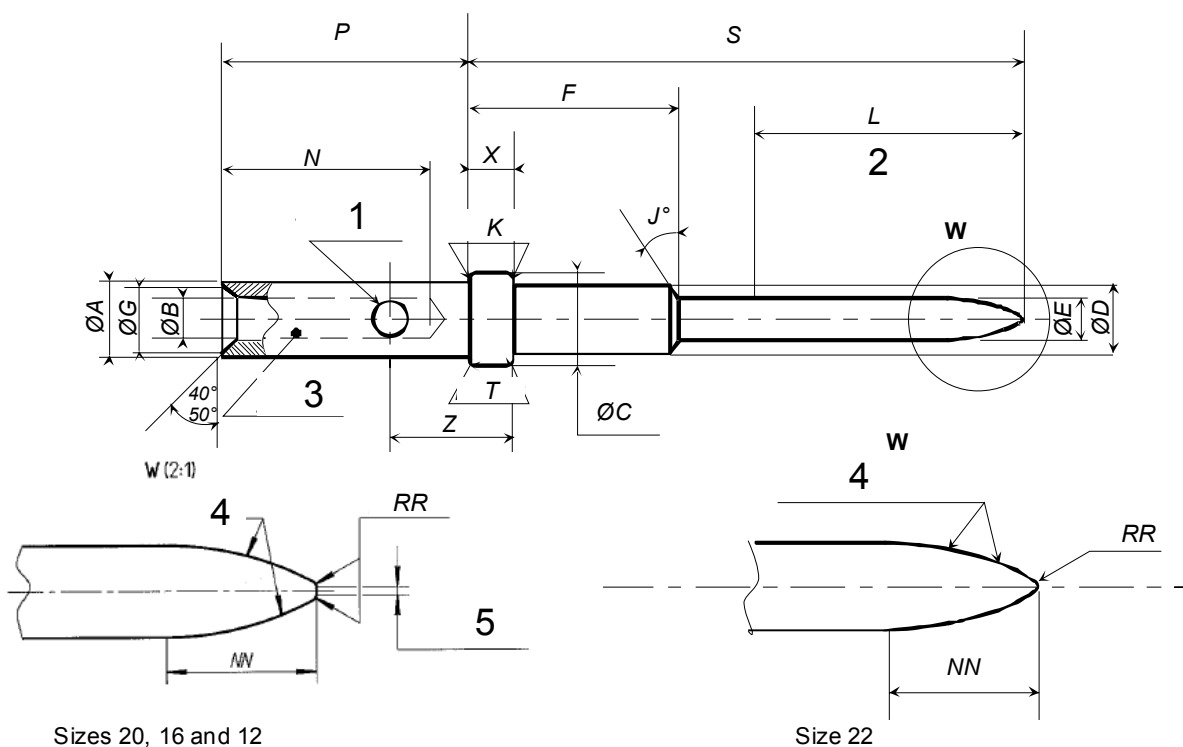
◎	∅ 0,10	∅ B
---	--------	-----

**iTeh STANDARD PREVIEW**  
(standards.iteh.ai)

[SIST EN 3155-026:2012](https://standards.iteh.ai/catalog/standards/sist/0a24b0c2-e5e6-45ce-bca9-e5eb9becdc9a/sist-en-3155-026-2012)

<https://standards.iteh.ai/catalog/standards/sist/0a24b0c2-e5e6-45ce-bca9-e5eb9becdc9a/sist-en-3155-026-2012>





Sizes 20, 16 and 12

Size 22

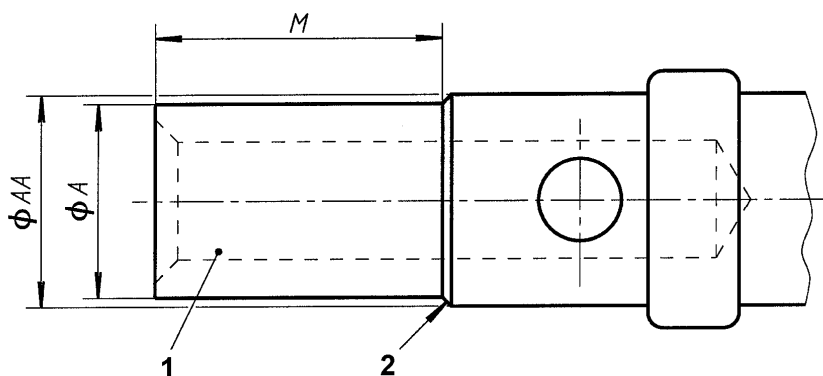
**iTeh STANDARD PREVIEW**  
(standards.iteh.ai)

**Key**

- 1 One hole  $\varnothing H$
- 2 Contact active area protection
- 3 Colour bands, see Table 2
- 4 Interconnection radius
- 5 Flat 0,20 max.

SIST EN 3155-026:2012  
<https://standards.iteh.ai/catalog/standards/sist/0a24b0c2-e5e6-45ce-bca9-e5eb9becdc9a/sist-en-3155-026-2012>

**Figure 1**



**Key**

- 1 Colour bands, see Table 2
- 2 Chamfer or radius

**Figure 2 — Barrel, contacts 20-20, 16-16 and 12-12**