



SLOVENSKI STANDARD
oSIST prEN 16288:2011
01-julij-2011

Steklena embalaža - Grla z navojem za steklenice pod tlakom - Grla MCA 3

Glass packaging - Screw finishes for pressure capsules - MCA 3 finish

Verpackungen aus Glas - Schraubmundstücke für Flaschen mit Innendruck - MCA 3-Mundstück

Emballage en verre - Bague à vis pour capsules pression - Bague MCA 3

ITeH STANDARD PREVIEW
(standards.iteh.ai)

Ta slovenski standard je istoveten z: prEN 16288

oSIST prEN 16288:2011
<https://standards.iteh.ai/catalog/standards/sist/f4b0ac63-955e-422c-a057-a1a22d329d02/osist-pren-16288-2011>

ICS:

55.100 Steklenice. Lonci. Kozarci Bottles. Pots. Jars

oSIST prEN 16288:2011

en,fr,de

iTeh STANDARD PREVIEW
(standards.iteh.ai)

[oSIST prEN 16288:2011](#)

<https://standards.iteh.ai/catalog/standards/sist/f4b0ac63-955e-422c-a057-a1a22d329d02/osist-pren-16288-2011>

EUROPEAN STANDARD
NORME EUROPÉENNE
EUROPÄISCHE NORM

DRAFT
prEN 16288

May 2011

ICS 55.100

English Version

Glass packaging - Screw finishes for pressure capsules - MCA 3 finish

Emballage en verre - Bague à vis pour capsules pression -
Bague MCA 3

Verpackungen aus Glas - Schraubmundstücke für
Flaschen mit Innendruck - MCA 3-Mundstück

This draft European Standard is submitted to CEN members for enquiry. It has been drawn up by the Technical Committee CEN/TC 261.

If this draft becomes a European Standard, CEN members are bound to comply with the CEN/CENELEC Internal Regulations which stipulate the conditions for giving this European Standard the status of a national standard without any alteration.

This draft European Standard was established by CEN in three official versions (English, French, German). A version in any other language made by translation under the responsibility of a CEN member into its own language and notified to the CEN-CENELEC Management Centre has the same status as the official versions.

CEN members are the national standards bodies of Austria, Belgium, Bulgaria, Croatia, Cyprus, Czech Republic, Denmark, Estonia, Finland, France, Germany, Greece, Hungary, Iceland, Ireland, Italy, Latvia, Lithuania, Luxembourg, Malta, Netherlands, Norway, Poland, Portugal, Romania, Slovakia, Slovenia, Spain, Sweden, Switzerland and United Kingdom.

Recipients of this draft are invited to submit, with their comments, notification of any relevant patent rights of which they are aware and to provide supporting documentation.

Warning : This document is not a European Standard. It is distributed for review and comments. It is subject to change without notice and shall not be referred to as a European Standard.



EUROPEAN COMMITTEE FOR STANDARDIZATION
COMITÉ EUROPÉEN DE NORMALISATION
EUROPÄISCHES KOMITEE FÜR NORMUNG

Management Centre: Avenue Marnix 17, B-1000 Brussels

Contents	Page
Foreword.....	3
Introduction	4
1 Scope	5
2 Definitions	5
3 Dimensions	5
Bibliography	10

iTeh STANDARD PREVIEW
(standards.iteh.ai)

<https://standards.iteh.ai/catalog/standards/sist/f4b0ac63-955e-422c-a057-a1a22d329d02/osist-pren-16288-2011>

Foreword

This document (prEN 16288:2011) has been prepared by Technical Committee CEN/TC 261 “Packaging”, the secretariat of which is held by AFNOR.

This document is currently submitted to the CEN Enquiry.

iTeh STANDARD PREVIEW (standards.iteh.ai)

[oSIST prEN 16288:2011](https://standards.iteh.ai/catalog/standards/sist/f4b0ac63-955e-422c-a057-a1a22d329d02/osist-pren-16288-2011)

<https://standards.iteh.ai/catalog/standards/sist/f4b0ac63-955e-422c-a057-a1a22d329d02/osist-pren-16288-2011>

Introduction

This document is based on CE.T.I.E. (International Technical Centre for Bottling and related Packaging) data sheet GME 32-01 [1].

Efficient packaging is of great importance for the distribution and the protection of goods. Insufficient or inappropriate packaging can lead to damage or wastage of the contents of the pack.

iTeh STANDARD PREVIEW (standards.iteh.ai)

[oSIST prEN 16288:2011](https://standards.iteh.ai/catalog/standards/sist/f4b0ac63-955e-422c-a057-a1a22d329d02/osist-pren-16288-2011)

<https://standards.iteh.ai/catalog/standards/sist/f4b0ac63-955e-422c-a057-a1a22d329d02/osist-pren-16288-2011>

1 Scope

This document specifies the dimensions of the 28 mm finish for glass containers designated MCA 3 for pressurized or vacuum liquids.

2 Terms and definitions

For the purposes of this European Standard, the following term and definition applies.

2.1

MCA

finish designed for the closure of pressurized or vacuum liquids with a tamper-evident closure (metal or plastic)

3 Dimensions

The design and dimensions of the finish shall be as shown in Table 1 and Figures 1, 2, 3 and 4.

Table 1

Pitch	β	TPI - Threads per inch (25,4 mm)	\varnothing cutter
3,175 mm	2° 12'	8	12,5 mm
β = Helix angle or angle of fixture to cutter			

NOTE 1 The $\tan \beta$ of helix angle for cutter is calculated via the following formula.

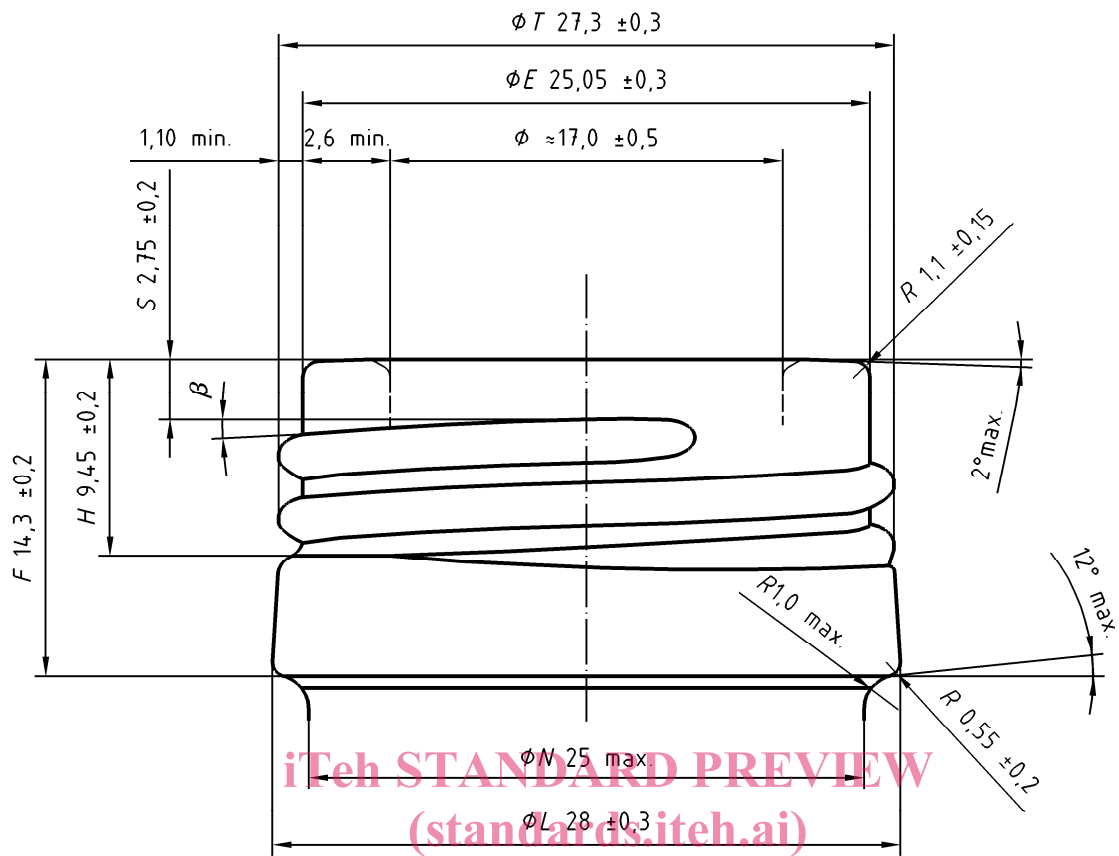
$$\tan \beta = \frac{\text{pitch}}{\frac{\pi (\text{nominal T} + \text{nominal E})}{2}}$$

NOTE 2 The average of the maximum and minimum of « L » diameter should be as close as possible to « L » nominal.

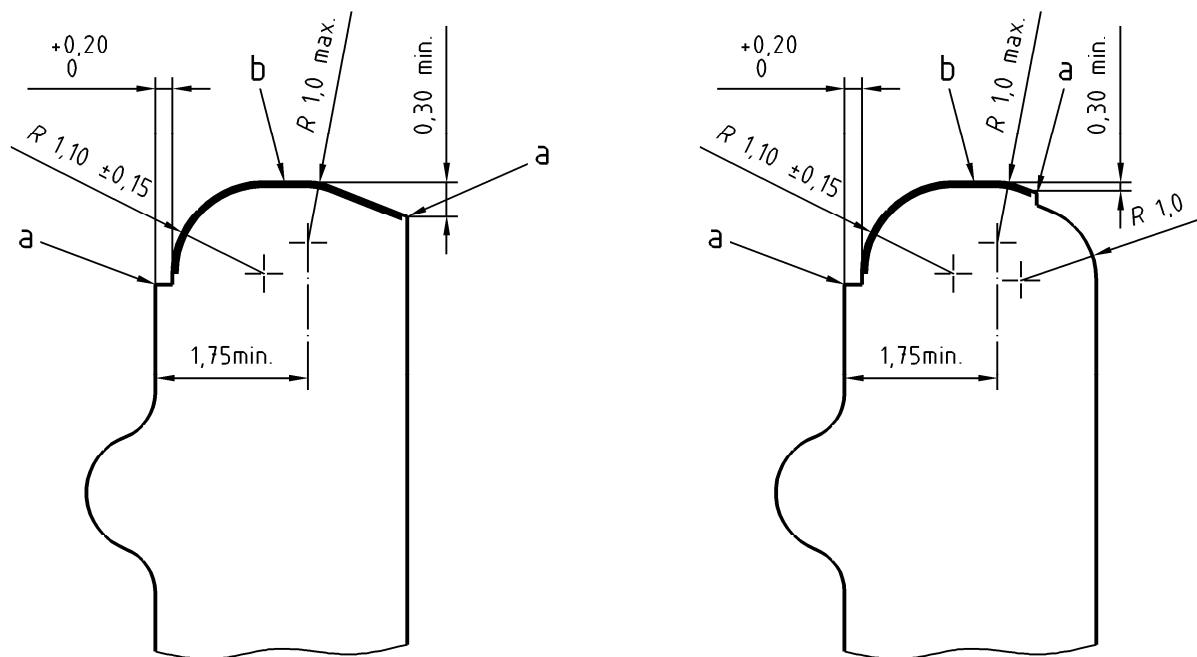
NOTE 3 The limit of the mean diameters should be within the tolerance $\pm 0,2$ mm.

$$(T-E-L) = \frac{\varnothing \text{ max} + \varnothing \text{ min}}{2}$$

NOTE 4 Optional: Depressed thread at mould parting line. (Document in preparation).



oSIST prEN 16288:2011
<https://standards.iteh.ai/catalog/standards/sist/f4b0ac63-955e-422c-a057-a1a22d329d02/osist-pren-16288-2011>
Figure 1



iTeh STANDARD PREVIEW (standards.iteh.ai)

Key

- a) Mould parting line
- b) Sealing surface

[oSIST prEN 16288:2011](https://standards.iteh.ai/catalog/standards/sist/f4b0ac63-955e-422c-a057-27-12281026/standards/sist/16288-2011)

[https://standards.iteh.ai/catalog/standards/sist/f4b0ac63-955e-422c-a057-](https://standards.iteh.ai/catalog/standards/sist/f4b0ac63-955e-422c-a057-27-12281026/standards/sist/16288-2011)

Figure 2 — Possible alternative constructions of the bore entrance to suit glass manufacturer

NOTE The sealing surface should be smooth and free of any defects and flash.

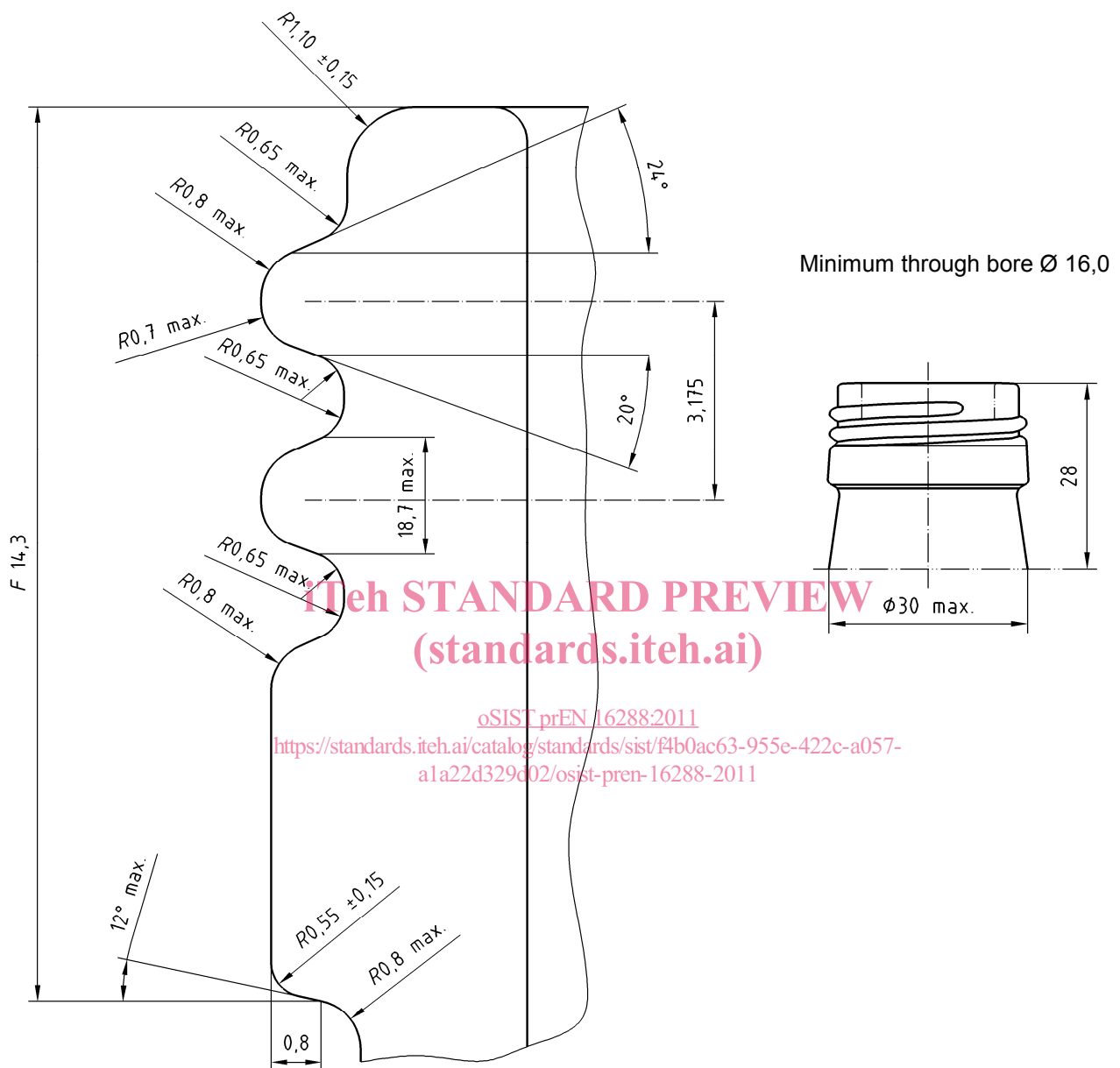


Figure 3 — Detail of the profile