
**Building construction — Sealants —
Determination of tensile properties at
maintained extension**

*Construction immobilière — Mastics — Détermination des propriétés de
déformation sous traction maintenue*

iTeh STANDARD PREVIEW
(standards.iteh.ai)

[ISO 8340:2005](https://standards.iteh.ai/catalog/standards/sist/75885d7b-871f-49a7-8542-59ea1237e131/iso-8340-2005)

<https://standards.iteh.ai/catalog/standards/sist/75885d7b-871f-49a7-8542-59ea1237e131/iso-8340-2005>



PDF disclaimer

This PDF file may contain embedded typefaces. In accordance with Adobe's licensing policy, this file may be printed or viewed but shall not be edited unless the typefaces which are embedded are licensed to and installed on the computer performing the editing. In downloading this file, parties accept therein the responsibility of not infringing Adobe's licensing policy. The ISO Central Secretariat accepts no liability in this area.

Adobe is a trademark of Adobe Systems Incorporated.

Details of the software products used to create this PDF file can be found in the General Info relative to the file; the PDF-creation parameters were optimized for printing. Every care has been taken to ensure that the file is suitable for use by ISO member bodies. In the unlikely event that a problem relating to it is found, please inform the Central Secretariat at the address given below.

iTeh STANDARD PREVIEW
(standards.iteh.ai)

[ISO 8340:2005](#)

<https://standards.iteh.ai/catalog/standards/sist/75885d7b-871f-49a7-8542-59ea1237e131/iso-8340-2005>

© ISO 2005

All rights reserved. Unless otherwise specified, no part of this publication may be reproduced or utilized in any form or by any means, electronic or mechanical, including photocopying and microfilm, without permission in writing from either ISO at the address below or ISO's member body in the country of the requester.

ISO copyright office
Case postale 56 • CH-1211 Geneva 20
Tel. + 41 22 749 01 11
Fax + 41 22 749 09 47
E-mail copyright@iso.org
Web www.iso.org

Published in Switzerland

Contents

Page

Foreword.....	iv
1 Scope	1
2 Normative references	1
3 Definitions	1
4 Principle	1
5 Apparatus	1
6 Preparation of test specimens	2
7 Conditioning of test specimens	2
8 Test procedure	3
9 Test report	3

iTeh STANDARD PREVIEW
(standards.iteh.ai)

[ISO 8340:2005](#)

<https://standards.iteh.ai/catalog/standards/sist/75885d7b-871f-49a7-8542-59ea1237e131/iso-8340-2005>

Foreword

ISO (the International Organization for Standardization) is a worldwide federation of national standards bodies (ISO member bodies). The work of preparing International Standards is normally carried out through ISO technical committees. Each member body interested in a subject for which a technical committee has been established has the right to be represented on that committee. International organizations, governmental and non-governmental, in liaison with ISO, also take part in the work. ISO collaborates closely with the International Electrotechnical Commission (IEC) on all matters of electrotechnical standardization.

International Standards are drafted in accordance with the rules given in the ISO/IEC Directives, Part 2.

The main task of technical committees is to prepare International Standards. Draft International Standards adopted by the technical committees are circulated to the member bodies for voting. Publication as an International Standard requires approval by at least 75 % of the member bodies casting a vote.

Attention is drawn to the possibility that some of the elements of this document may be the subject of patent rights. ISO shall not be held responsible for identifying any or all such patent rights.

ISO 8340 was prepared by Technical Committee ISO/TC 59, *Building construction*, Subcommittee SC 8, *Joining products*.

This second edition cancels and replaces the first edition (ISO 8340:1984) and its subsequent Technical Corrigendum (ISO 8340:1984/Cor.1:1995), which have been technically revised.

iTeh STANDARD PREVIEW
(standards.iteh.ai)
ISO 8340:2005
<https://standards.iteh.ai/catalog/standards/sist/75885d7b-871f-49a7-8542-59ea1237e131/iso-8340-2005>

Building construction — Sealants — Determination of tensile properties at maintained extension

1 Scope

This International Standard specifies a method for the determination of the tensile properties at maintained extension of sealants used in joints in building construction.

NOTE A method for the determination of tensile properties (extension to break) is specified in ISO 8339.

2 Normative references

The following referenced documents are indispensable for the application of this document. For dated references, only the edition cited applies. For undated references, the latest edition of the referenced document (including any amendments) applies.

ISO 6927, *Building construction — Jointing products — Sealants — Vocabulary*

ISO 8339, *Building construction — Sealants — Determination of tensile properties (Extension to break)*

ISO 13640, *Building construction — Jointing products — Specification for test substrates*

3 Definitions

For the purpose of this document, the definitions given in ISO 6927 apply.

4 Principle

Test specimens are prepared such that the sealant to be tested adheres to two parallel contact surfaces. The test specimens are extended to a defined width and this extension is maintained under defined conditions. Any loss of adhesion or cohesion is recorded.

5 Apparatus

5.1 Substrate materials, used for the preparation of test specimens as defined in ISO 13640. The substrate materials shall be selected from mortar and/or anodized aluminium and/or glass. Other substrate materials may be used as agreed by the parties concerned.

For each test specimen, two substrate pieces of the same material are required with a cross section of dimensions as shown in Figures 1 and 2. Test substrates of other dimensions may be used, but then the dimensions of the sealant bead and the area of adhesion shall be the same as those shown in Figures 1 and 2.

5.2 Spacers, of cross section (12 mm × 12 mm) with anti-adherent surface. For the preparation of test specimens see Figures 1 and 2.

5.3 Anti-adherent substrate, for the preparation of the test specimens, e.g. polyethylene (PE) film, preferably according to the advice of the sealant manufacturer.

5.4 Tensile test machine, capable of extending the test specimens at a rate of $(5,5 \pm 0,7)$ mm/min.

5.5 Refrigerated enclosure, capable of holding the test specimens whilst extended at a temperature of (-20 ± 2) °C.

5.6 Ventilated convection-type oven, capable of being maintained at (70 ± 2) °C for conditioning according to method B (see 7.3).

5.7 Container, for immersing test specimens in distilled water for conditioning according to method B (see 7.3).

5.8 Separators, of appropriate dimensions to hold the test specimens extended to 25 %, 60 % or 100 % of the original width or any other width agreed between the parties concerned.

5.9 Measuring device, scaled to 0,5 mm.

6 Preparation of test specimens

The sealant and test substrates shall be brought to (23 ± 2) °C. For each substrate type and each test temperature (see Clause 8) three test specimens shall be prepared. For each specimen two substrates (5.1) and two spacers (5.2) shall be assembled (see Figure 1) and set on the anti-adherent substrate (5.3).

The instructions of the sealant manufacturer concerning, for instance, whether a primer is to be used and the mixing procedure for multi-component sealants shall be followed. The hollow volume formed by the substrates and the spacers shall be filled with the sealant.

The following precautions shall be taken.

- a) The formation of air bubbles shall be avoided.
- b) The sealant shall be pressed on the inner surfaces of the substrates.
- c) The sealant surface shall be trimmed so that it is flush with the faces of the substrates and spacers.

The test specimens shall be set on the edge of one of the supports. The anti-adherent substrate shall be removed as soon as possible. The specimens shall be placed in this position to allow curing or optimum drying of the sealant. The spacers shall be maintained in place during conditioning.

7 Conditioning of test specimens

7.1 General

The test specimens shall be conditioned either in accordance with method A (see 7.2) or method B (see 7.3), as agreed between the parties concerned.

7.2 Method A

The test specimens shall be conditioned for 28 days at (23 ± 2) °C and (50 ± 5) % relative humidity.

7.3 Method B

The test specimens shall be conditioned according to method A and shall then be subjected three times to the following storage cycle:

- a) three days in the oven (5.6) at (70 ± 2) °C;

- b) one day in distilled water (5.7) at (23 ± 2) °C;
- c) two days in the oven (5.6) at (70 ± 2) °C;
- d) one day in distilled water (5.7) at (23 ± 2) °C.

Alternatively, this cycle may be carried out in the order c), d), a), b).

After conditioning according to method B, the test specimens shall be stored for 24 h at (23 ± 2) °C and (50 ± 5) % relative humidity before testing.

NOTE Method B is a normal conditioning procedure using the influence of heat and water. It is not suitable for giving information on the durability of the sealant.

8 Test procedure

8.1 General

The test procedure shall be carried out at temperatures of (23 ± 2) °C and (-20 ± 2) °C. Three test specimens shall be tested at each temperature.

8.2 Test procedure at (23 ± 2) °C

The spacers (5.2) for the preparation of the test specimens shall be removed and the test specimens placed in the tensile test machine (5.4) at (23 ± 2) °C and extended at a rate of $(5,5 \pm 0,7)$ mm/min by 25 % or 60 % or 100 % of the original width (to 15 mm, 19,2 mm and 24 mm respectively), or to any other width as agreed between the parties concerned. The separators (5.8) shall be used to maintain the elongation at (23 ± 2) °C for 24 h. The depth of any loss of adhesion or cohesion shall be measured using a suitable measuring device capable of reading to 0,5 mm (5.9).

8.3 Test procedure at (-20 ± 2) °C

The test specimens shall be stored (5.5) at (-20 ± 2) °C for at least 4 h before the start of the test. The spacers (5.2) for the preparation of the test specimens shall be removed and the test specimens placed in the tensile test machine (5.4) at (-20 ± 2) °C and extended at a rate of $(5,5 \pm 0,7)$ mm/min by 25 % or 60 % or 100 % of the original width (to 15 mm, 19,2 mm and 24 mm respectively), or to any other width as agreed between the parties concerned. The separators (5.8) shall be used to maintain the elongation at (-20 ± 2) °C for 24 h. The test specimens shall be brought to (23 ± 2) °C. The depth of any loss of adhesion or cohesion shall be measured using a suitable measuring device capable of reading to 0,5 mm (5.9).

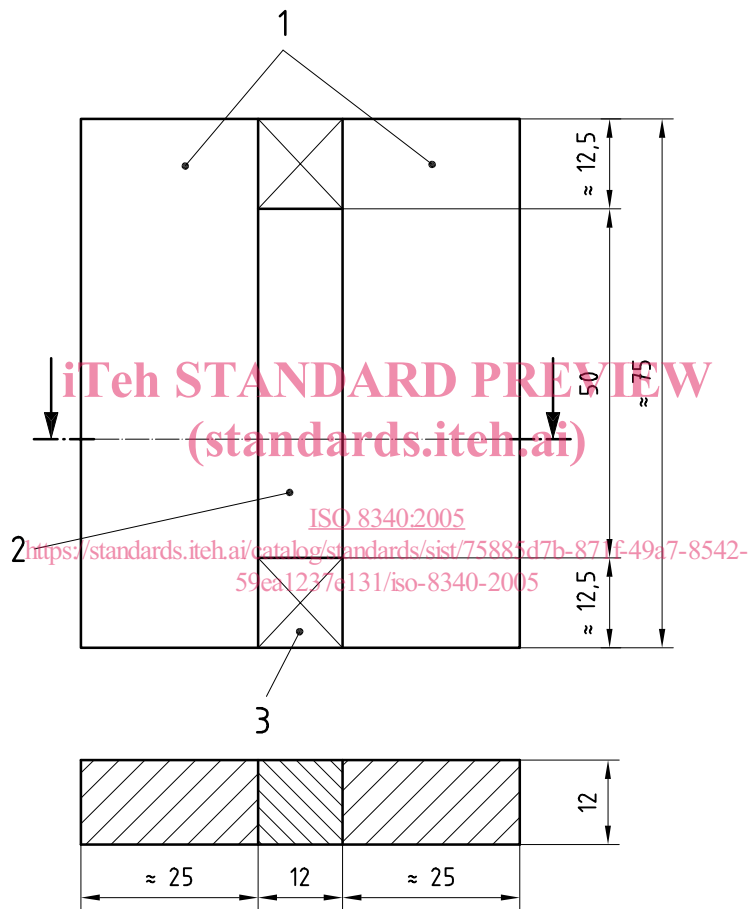
9 Test report

The test report shall contain the following information:

- a) test laboratory's name and date of test;
- b) reference to this International Standard;
- c) name, type (chemical family) and colour of sealant;
- d) batch of sealant from which the test specimens were produced;
- e) substrate used (see 5.1);
- f) primer used, if applicable;

- g) method of conditioning used (see Clause 7);
- h) elongation (%) (see Clause 8);
- i) depth of any loss of adhesion and/or cohesion break, in millimetres, for each test specimen;
- j) any deviations from this International Standard.

Dimensions in millimetres

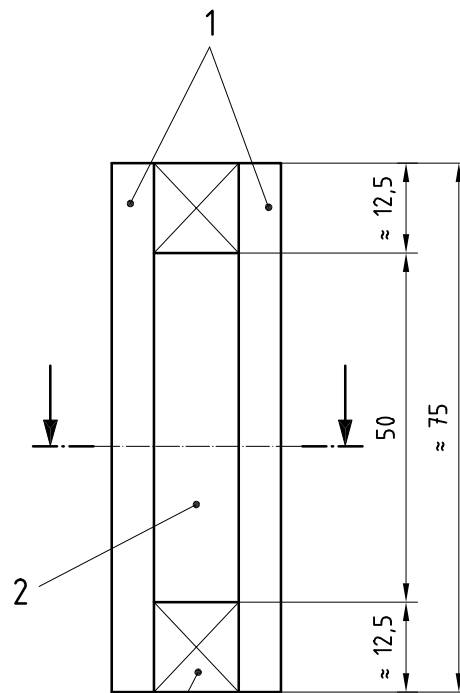


Key

- 1 mortar substrates
- 2 sealant
- 3 spacer (5.2)

Figure 1 — Test specimen with mortar substrates

Dimensions in millimetres



iTeh STANDARD PREVIEW
(standards.iteh.ai)



<https://standards.iteh.ai/catalog/standards/sis/5885d7b-871f-49a7-8542-59ea1237e131/iso-8340-2005>

Key

- 1 anodized aluminium or glass substrates
- 2 sealant
- 3 spacer (5.2)

Figure 2 — Test specimen with anodized aluminium or glass substrates