



SLOVENSKI STANDARD
SIST ISO 12151-2:2005

01-november-2005

Fluidna tehnika – Hidravlika – Spoji za fluidno tehniko in za splošno uporabo – Cevne armature – 2. del: Cevne armature s konusom 24o po SIST ISO 8434-1 in s tesnilkami O

Connections for hydraulic fluid power and general use -- Hose fittings -- Part 2: Hose fittings with ISO 8434-1 and ISO 8434-4 24 degree cone connector ends with O-rings

iTeh STANDARD PREVIEW
(standards.iteh.ai)

Raccordements pour transmissions hydrauliques et applications générales -- Flexibles de raccordement -- Partie 2: Flexibles avec embouts à cône à 24 degrés et joints toriques conformes à l'ISO 8434-1 et à l'ISO 8434-4

Ta slovenski standard je istoveten z: ISO 12151-2:2003

ICS:

23.100.40 Cevna napeljava in sklopke Piping and couplings

SIST ISO 12151-2:2005

en

iTeh STANDARD PREVIEW
(standards.iteh.ai)

SIST ISO 12151-2:2005

<https://standards.iteh.ai/catalog/standards/sist/5d960f8a-56dd-45aa-a915-d1a0f9a699ce/sist-iso-12151-2-2005>

INTERNATIONAL
STANDARD

ISO
12151-2

First edition
2003-06-01

**Connections for hydraulic fluid power
and general use — Hose fittings —**

Part 2:

**Hose fittings with ISO 8434-1 and
ISO 8434-4 24° cone connector ends with
O-rings**

iTeh STANDARD PREVIEW
(standards.iteh.ai)

*Raccordements pour transmissions hydrauliques et applications
générales — Flexibles de raccordement —*

*Partie 2: Flexibles avec embouts à cône à 24° et joints toriques
conformes à l'ISO 8434-1 et à l'ISO 8434-4*



Reference number
ISO 12151-2:2003(E)

© ISO 2003

ISO 12151-2:2003(E)**PDF disclaimer**

This PDF file may contain embedded typefaces. In accordance with Adobe's licensing policy, this file may be printed or viewed but shall not be edited unless the typefaces which are embedded are licensed to and installed on the computer performing the editing. In downloading this file, parties accept therein the responsibility of not infringing Adobe's licensing policy. The ISO Central Secretariat accepts no liability in this area.

Adobe is a trademark of Adobe Systems Incorporated.

Details of the software products used to create this PDF file can be found in the General Info relative to the file; the PDF-creation parameters were optimized for printing. Every care has been taken to ensure that the file is suitable for use by ISO member bodies. In the unlikely event that a problem relating to it is found, please inform the Central Secretariat at the address given below.

iTeh STANDARD PREVIEW (standards.iteh.ai)

[SIST ISO 12151-2:2005](https://standards.iteh.ai/catalog/standards/sist/5d960f8a-56dd-45aa-a915-d1a0f9a699ce/sist-iso-12151-2-2005)

<https://standards.iteh.ai/catalog/standards/sist/5d960f8a-56dd-45aa-a915-d1a0f9a699ce/sist-iso-12151-2-2005>

© ISO 2003

All rights reserved. Unless otherwise specified, no part of this publication may be reproduced or utilized in any form or by any means, electronic or mechanical, including photocopying and microfilm, without permission in writing from either ISO at the address below or ISO's member body in the country of the requester.

ISO copyright office
Case postale 56 • CH-1211 Geneva 20
Tel. + 41 22 749 01 11
Fax + 41 22 749 09 47
E-mail copyright@iso.org
Web www.iso.org

Published in Switzerland

Contents

Page

Foreword	iv
Introduction	v
1 Scope	1
2 Normative references	1
3 Terms and definitions	2
4 Performance requirements	2
5 Designation of hose fittings	3
6 Design	3
7 Manufacture	3
8 Assembly instructions	4
9 Procurement information	5
10 Marking	5
11 Identification statement (Reference to this part of ISO 12151)	5
Bibliography	13

[SIST ISO 12151-2:2005](https://standards.iteh.ai/catalog/standards/sist/5d960f8a-56dd-45aa-a915-d1a0f9a699ce/sist-iso-12151-2-2005)

<https://standards.iteh.ai/catalog/standards/sist/5d960f8a-56dd-45aa-a915-d1a0f9a699ce/sist-iso-12151-2-2005>

ISO 12151-2:2003(E)

Foreword

ISO (the International Organization for Standardization) is a worldwide federation of national standards bodies (ISO member bodies). The work of preparing International Standards is normally carried out through ISO technical committees. Each member body interested in a subject for which a technical committee has been established has the right to be represented on that committee. International organizations, governmental and non-governmental, in liaison with ISO, also take part in the work. ISO collaborates closely with the International Electrotechnical Commission (IEC) on all matters of electrotechnical standardization.

International Standards are drafted in accordance with the rules given in the ISO/IEC Directives, Part 2.

The main task of technical committees is to prepare International Standards. Draft International Standards adopted by the technical committees are circulated to the member bodies for voting. Publication as an International Standard requires approval by at least 75 % of the member bodies casting a vote.

Attention is drawn to the possibility that some of the elements of this document may be the subject of patent rights. ISO shall not be held responsible for identifying any or all such patent rights.

ISO 12151-2 was prepared by Technical Committee ISO/TC 131, *Fluid power systems*, Subcommittee SC 4, *Connectors and similar products and components*.

ISO 12151 consists of the following parts, under the general title *Connections for hydraulic fluid power and general use — Hose fittings*:

- Part 1: *Hose fittings with ISO 8434-3 O-ring face seal ends*
- Part 2: *Hose fittings with ISO 8434-1 and ISO 8434-4 24° cone connector ends with O-rings*
- Part 3: *Hose fittings with ISO 6162 flange ends*
- Part 4: *Hose fittings with ISO 6149 metric stud ends*
- Part 5: *Hose fittings with ISO 8434-2 37° flared ends*
- Part 6: *Hose fittings with ISO 8434-6 60° cone ends*

Introduction

In hydraulic fluid power systems, power is transmitted and controlled through a liquid under pressure within an enclosed circuit. In general applications, a fluid may be conveyed under pressure.

Components are connected through their ports by stud ends on fluid conductor fittings to tubes/pipes or to hose fittings and hoses.

iTeh STANDARD PREVIEW (standards.iteh.ai)

[SIST ISO 12151-2:2005](https://standards.iteh.ai/catalog/standards/sist/5d960f8a-56dd-45aa-a915-d1a0f9a699ce/sist-iso-12151-2-2005)

<https://standards.iteh.ai/catalog/standards/sist/5d960f8a-56dd-45aa-a915-d1a0f9a699ce/sist-iso-12151-2-2005>

iTeh STANDARD PREVIEW
(standards.iteh.ai)

[SIST ISO 12151-2:2005](#)

<https://standards.iteh.ai/catalog/standards/sist/5d960f8a-56dd-45aa-a915-d1a0f9a699ce/sist-iso-12151-2-2005>

Connections for hydraulic fluid power and general use — Hose fittings —

Part 2: Hose fittings with ISO 8434-1 and ISO 8434-4 24° cone connector ends with O-rings

1 Scope

This part of ISO 12151 specifies the general and dimensional requirements for the design and performance of hose fittings with 24° cone connector ends with O-rings, in accordance with ISO 8434-1 and ISO 8434-4. These hose fittings are made of carbon steel and are intended for use with hoses with nominal inside diameters from 5 mm through 38 mm (inclusive).

NOTE 1 Materials other than carbon steel may be supplied as agreed between the manufacturer and user.

NOTE 2 For hose fittings used in hydraulic and pneumatic braking systems on road vehicles (as defined in the scope of ISO/TC 22), see ISO 4038, ISO 4039-1 and ISO 4039-2.

These hose fittings (see Figure 1 for a typical example) are for use in fluid power systems with hoses that meet the requirements of respective standards and in general applications with suitable hoses.

2 Normative references

The following referenced documents are indispensable for the application of this document. For dated references, only the edition cited applies. For undated references, the latest edition of the referenced document (including any amendments) applies.

ISO 4397, *Fluid power systems and components — Connectors and associated components — Nominal outside diameters of tubes and nominal inside diameters of hoses*

ISO 4759-1:2000, *Tolerances for fasteners — Part 1: Bolts, screws, studs and nuts — Product grades A, B and C*

ISO 5598, *Fluid power systems and components — Vocabulary*

ISO 8434-1¹⁾, *Metallic tube connections for fluid power and general use — Part 1: 24° compression fittings*

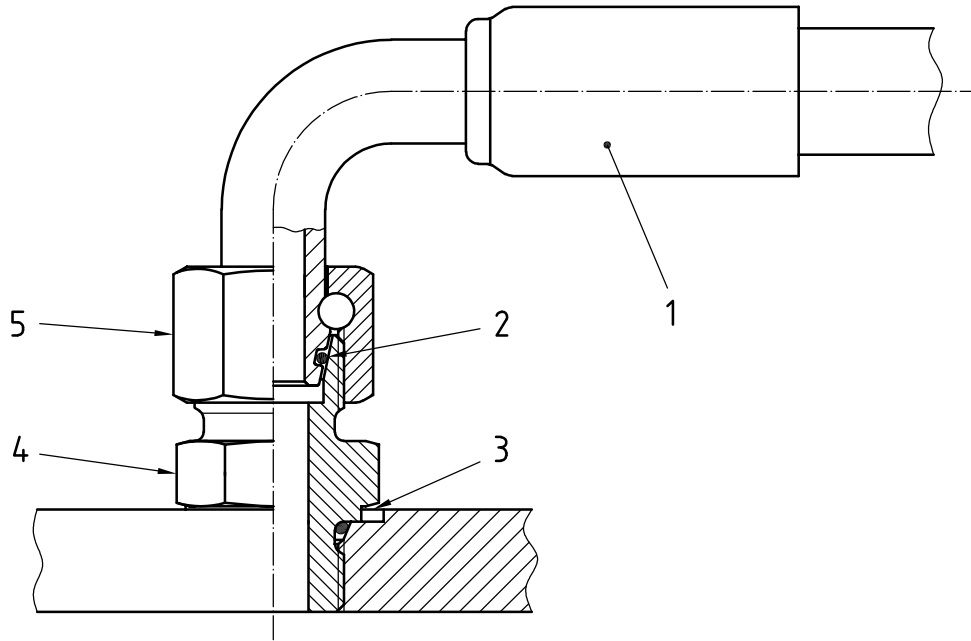
ISO 8434-4¹⁾, *Metallic tube connections for fluid power and general use — Part 4: 24° cone connectors with O-ring weld-on nipples*

ISO 8434-5²⁾, *Metallic tube connections for fluid power and general use — Part 5: Test methods for threaded hydraulic fluid power connections*

ISO 9227, *Corrosion tests in artificial atmospheres — Salt spray tests*

1) The content of ISO 8434-4 will be incorporated into the revision of ISO 8434-1.

2) ISO 8434-5 is under revision and will be replaced by ISO 19879.



Key

- 1 hose fitting
- 2 O-ring seal
- 3 port
- 4 adapter
- 5 nut

iTeh STANDARD PREVIEW
(standards.iteh.ai)

SIST ISO 12151-2:2005

Figure 1 — Example of typical ISO 12151-2 hose fitting connection
<http://standards.iteh.ai/catalog/standards/sist-iso-12151-2-2005/d1a0f9a699ce/sist-iso-12151-2-2005>

3 Terms and definitions

For the purposes of this document, the terms and definitions given in ISO 5598 apply.

4 Performance requirements

4.1 Hose assemblies shall meet the performance requirements specified in the appropriate hose specification without leakage or failure.

4.2 The working pressure of the hose assembly shall be the lower of the pressures given for its size in ISO 8434-1 or ISO 8434-4 and in the relevant hose specification.

4.3 Hose fitting tests shall be conducted in accordance with ISO 8434-5 for the working pressure of the hose assembly. The hose assembly shall undergo a cyclic endurance test and meet or exceed the number of cycles specified in the relevant hose specification.

5 Designation of hose fittings

5.1 Hose fittings shall be designated by an alphanumeric code to facilitate ordering. They shall be designated by ISO 12151-2, followed by a spaced hyphen, then the connection end type, shape and style letter symbols (see 5.4), followed by another spaced hyphen and, for the ends, the letter symbol for the series directly followed by the 24° cone end size (nominal connection size) and the hose size (nominal hose inside diameter), each separated by a multiplication sign (×).

EXAMPLE A swivel straight light-duty series hose fitting for use with 22 mm OD tubing and 19 mm ID hose is designated as follows:

ISO 12151-2 - SWS - L22 × 19

5.2 The letter symbol designation of the hose fitting shall consist of the connection end type, immediately followed by the shape of the fitting and the nut style, where applicable.

5.3 Tube ends are assumed to be male and thus do not need to be included in the code. However, if another end is involved, it shall be designated.

5.4 The following letter symbols shall be used:

Connection end type	Shape
Swivel / SW	Straight / S
	90° elbow / E
	45° elbow / E45
Series	Symbol
Light-duty	L
Heavy-duty	S

6 Design

6.1 Hose fitting dimensions shown in Figures 2 to 5 shall conform to the dimensions in Tables 1 to 4 and to the relevant dimensions in ISO 8434-1 and ISO 8434-4.

6.2 Hex tolerances across flats shall be in accordance with ISO 4759-1:2000, product grade C. Minimum across corner hex dimensions are 1,092 times the nominal width across flats. The minimum side flat is 0,43 times the nominal width across flats.

6.3 Angular tolerances on axes of ends of elbows shall be $\pm 3^\circ$ for all sizes.

6.4 Details of contour shall be as chosen by the manufacturer, provided that the dimensions given in Tables 1 to 4 are maintained.

7 Manufacture

7.1 Construction

Hose fittings may be made by forging or cold forming, machined from bar stock or manufactured from multiple components.