



Designation: D4796 – 88 (Reapproved 2004)

## Standard Test Method for Bond Strength of Thermoplastic Traffic Marking Materials<sup>1</sup>

This standard is issued under the fixed designation D4796; the number immediately following the designation indicates the year of original adoption or, in the case of revision, the year of last revision. A number in parentheses indicates the year of last reapproval. A superscript epsilon ( $\epsilon$ ) indicates an editorial change since the last revision or reapproval.

### 1. Scope

1.1 This test method provides an instrumental means for the determination of thermoplastic traffic marking material bond strengths using cement bricks and steel cubes.

1.2 The values stated in SI units are to be regarded as the standard. The values given in parentheses are for information only.

1.3 *This standard does not purport to address all of the safety concerns, if any, associated with its use. It is the responsibility of the user of this standard to establish appropriate safety and health practices and determine the applicability of regulatory limitations prior to use.*

### 2. Referenced Documents

2.1 *ASTM Standards:*<sup>2</sup>

**C109/C109M** Test Method for Compressive Strength of Hydraulic Cement Mortars (Using 2-in. or [50-mm] Cube Specimens)

**C881/C881M** Specification for Epoxy-Resin-Base Bonding Systems for Concrete

**D883** Terminology Relating to Plastics

**E284** Terminology of Appearance

**F412** Terminology Relating to Plastic Piping Systems

### 3. Terminology

3.1 *Definitions*—Definitions are in accordance with Terminology **D883**, **E284**, and **F412** unless otherwise indicated.

3.2 *Definitions of Terms Specific to This Standard:*

3.2.1 *cement brick, n*—a brick formed by mixing cement and fine sand together and allowing to harden.

3.2.2 *thermoplastic, n*—traffic marking (same as **3.2.3**).

<sup>1</sup> This test method is under the jurisdiction of ASTM Committee **D01** on Paint and Related Coatings, Materials, and Applications and is the direct responsibility of Subcommittee **D01.44** on Traffic Coatings.

Current edition approved June 1, 2004. Published June 2004. Originally approved in 1988. Last previous edition approved in 1998 as D4796 – 88 (1998). DOI: 10.1520/D4796-88R04.

<sup>2</sup> For referenced ASTM standards, visit the ASTM website, www.astm.org, or contact ASTM Customer Service at service@astm.org. For *Annual Book of ASTM Standards* volume information, refer to the standard's Document Summary page on the ASTM website.

3.2.3 *thermoplastic traffic marking, n*—a highly filled 100 % total solids highway marking system that when heated to a molten state can be extruded or sprayed onto a road surface and when cooled forms a solid durable delineator.

### 4. Summary of Test Method

4.1 The thermoplastic specimen is prepared for this test by first melting a sample to its application temperature under continuous agitation. The specimen is then applied to the specified cement brick by a hot drawdown blade. Two steel cubes are then immediately placed onto the hot thermoplastic line and the excess thermoplastic trimmed away from around the two steel cubes. After the trimming is complete, the steel cubes are removed. A heated steel cube is bonded with epoxy to the square of thermoplastic and allowed to cure overnight before determining the bond strength on a Dillon dynamometer or similar device.

### 5. Significance and Use

5.1 The function of this test method is to provide numerical instrumental results indicating the cohesive or adhesive, or both, bond strength of thermoplastic traffic marking to a specified cement brick substrate.

5.2 The use of this test method allows the user and manufacturer to control the quality of the product and make inferences about the performance of the thermoplastic traffic marking product. Results from these tests also provide information helpful in researching and developing thermoplastic traffic marking materials.

5.3 Strict adherence to the procedures outlined is necessary for precision of the test method. Under no conditions should the bond strength be accepted unless there is conformance to **9.14**. Precise results are obtained only when one steel block is epoxied to the thermoplastic traffic marking on the cement brick.

### 6. Types of Separation in Bond Strength Tests

6.1 *Thermoplastic to Steel Cube Separation*—This type of separation occurs where there is an insufficient bond between the thermoplastic and steel cube probably due to insufficient coverage of the epoxy adhesive.

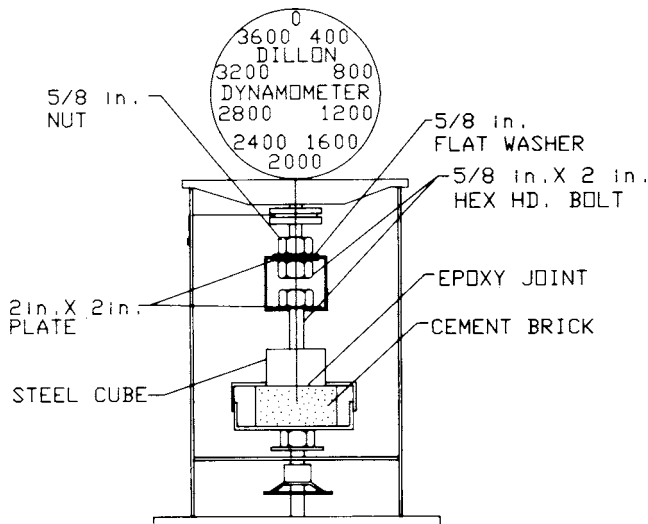


FIG. 1 Bond Strength Testing Apparatus

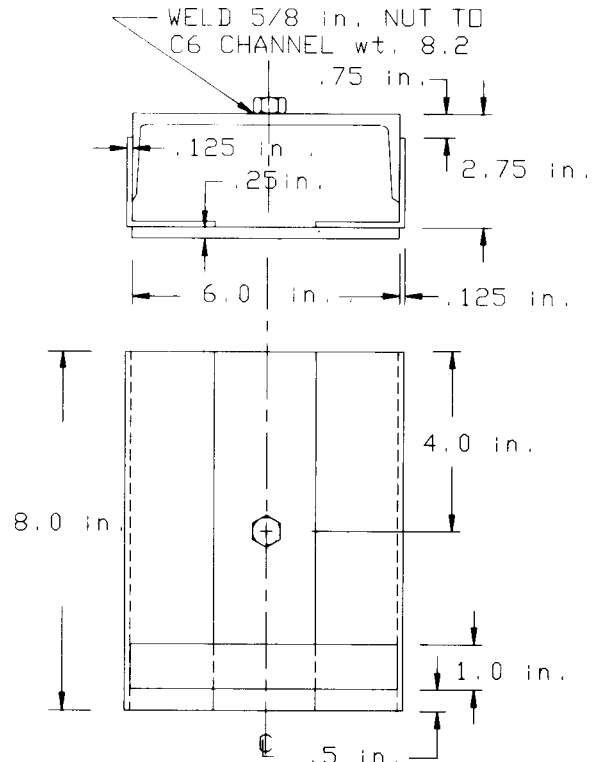


FIG. 2 Tension Bed

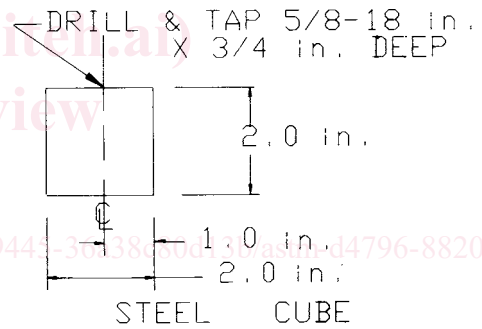


FIG. 3 Load Plate (2 Required)

6.2 *Thermoplastic to Thermoplastic Separation*—This type of separation is caused by internal cohesive failure of the thermoplastic. This separation is acceptable when it exceeds the specified bond strength.

6.3 *Thermoplastic to Cement Brick Separation*—This type of separation is caused by the failure of the bond between the thermoplastic specimen and the cement brick.

6.4 *Cement Brick to Cement Brick*—This type of separation is caused by the internal cohesive failure of the brick. This is due, in most cases, to a bond between the thermoplastic and cement brick that exceeds the cohesive strength of the cement brick. This separation is not acceptable when the bond strength values are lower than specified.

## 7. Apparatus

7.1 *Agitator Blade*, 150 mm (6 in.) long with a 10 mm (½-in.) steel shaft and a 45 by 25 by 3 mm (1¾ by 1 in. by ⅛-in.) straight horizontal steel blade.

7.2 *Capped Bolts*, two, 16 mm (⅝ in.) in size.

7.3 *Cement Bricks*, 9 by 5 by 19 cm (3½ by 2 by 7½-in.) in size with a compressive strength of 3000 to 5000 psi (Note 1).

NOTE 1—Concrete bricks conforming to Test Method C109/C109M have been used but proved more variable due to migration of a thin veneer of cement to the top of the brick making determinations erratic. The cement bricks may be obtained from local block plants. The term “cement” brick is common for the industry and is used in this test method extensively.

NOTE 2—The unit should be fitted with a steel frame to hold the cement brick for testing.

7.4 *Dynamometer*,<sup>3</sup> with a capacity of 6000 lbs in 2700 kg in 10 kg (25-lb) divisions having a pull-rate capability of ¼ in./min. (6 mm/min) (Note 2) (See Fig. 1, Fig. 2, Fig. 3, and Fig. 4).

<sup>3</sup> The sole source of supply of a Dillon Dynamometer known to the committee at this time is Weigh-Tranex, 1000 Armstrong Drive, P.O. Box 1000, Fairmount, MN 56031. If you are aware of alternative suppliers, please provide this information to ASTM International Headquarters. Your comments will receive careful consideration at a meeting of the responsible technical committee,<sup>1</sup> which you may attend.

7.5 *Draw Down Blade*, 5 by 2.5 by 10 cm (2 by 1 by 4 in.) in size capable of laying down a 125 mil (0.125 in.) wet thermoplastic film 2-in. wide.

7.6 *Drill Press*, or other apparatus capable of agitating the thermoplastic during meltdown to the application temperature at 600 to 800 r/min in the jacketed electric pots.