



INTERNATIONAL STANDARD ISO 12098:1994 TECHNICAL CORRIGENDUM 1

Published 2001-03-15

INTERNATIONAL ORGANIZATION FOR STANDARDIZATION • МЕЖДУНАРОДНАЯ ОРГАНИЗАЦИЯ ПО СТАНДАРТИЗАЦИИ • ORGANISATION INTERNATIONALE DE NORMALISATION

Commercial vehicles with 24 V systems — 15-pole connectors between towing vehicles and trailers — Dimensions and contact allocation

TECHNICAL CORRIGENDUM 1

Véhicules utilitaires équipés d'un système électrique 24 V — Connecteurs à 15 contacts pour liaison entre le véhicule tracteur et le véhicule tracté — Dimensions et affectation des contacts

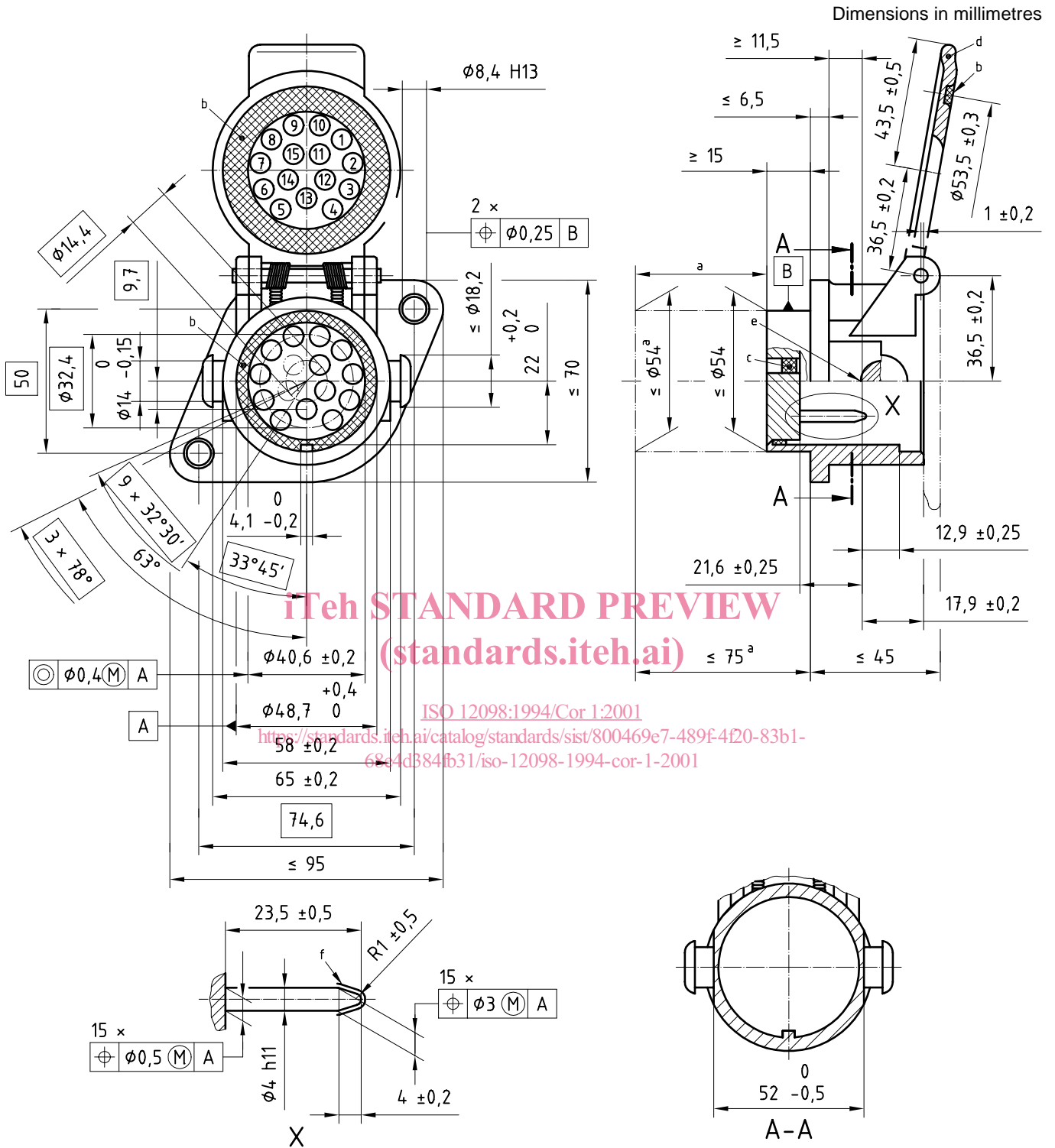
RECTIFICATIF TECHNIQUE 1

ITeH STANDARD PREVIEW
(standards.iteh.ai)

Technical Corrigendum 1 to International Standard ISO 12098:1994 was prepared by Technical Committee ISO/TC 22, Road vehicles, Subcommittee SC 3, Electrical and electronic equipment.

Pages 2, 3 and 4

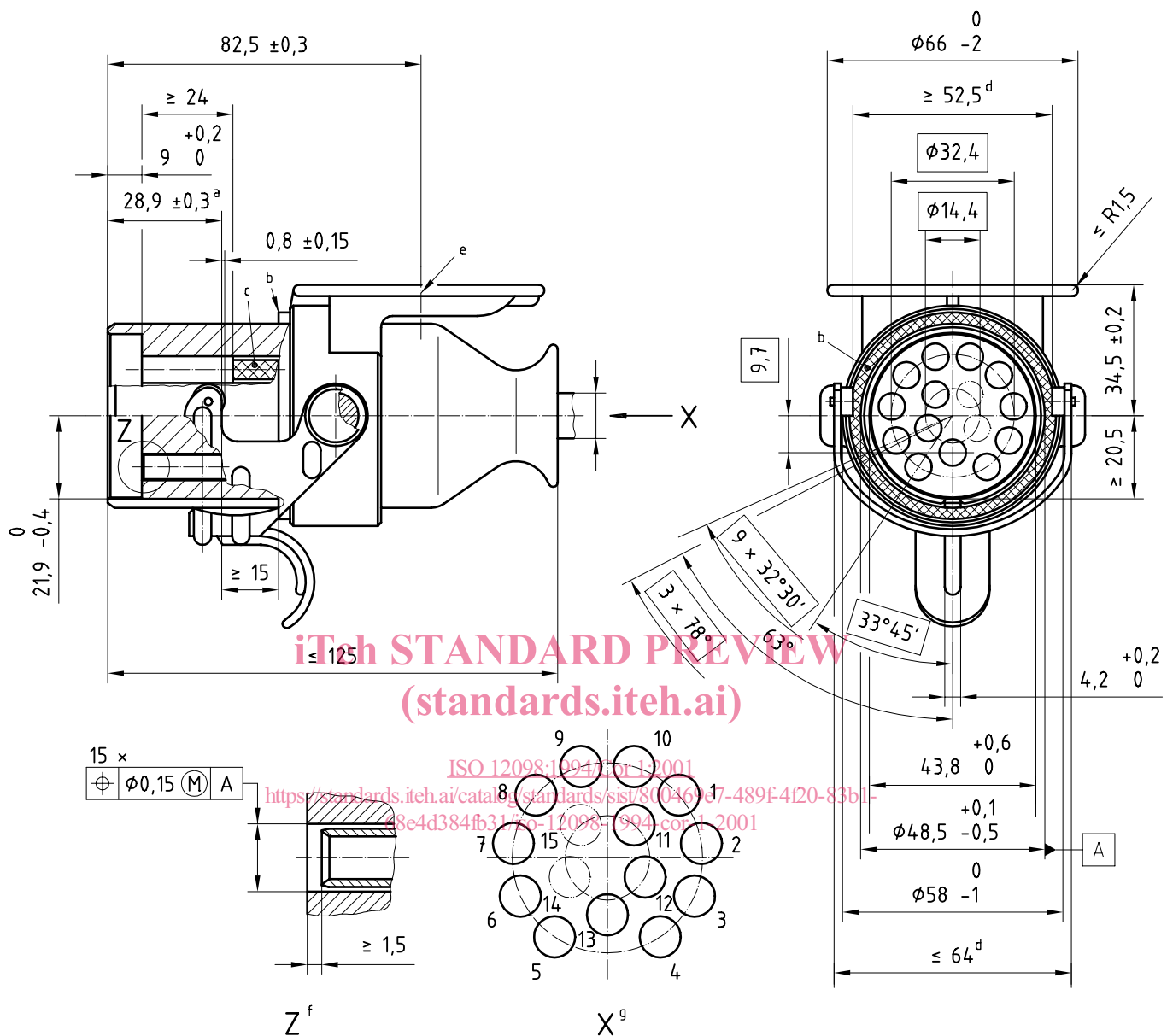
Replace Figures 1, 2 and 3 with the following figures.



- a For existing products for which the cable outlet is mounted from the rear, the outside diameter of the outlet may be larger with the vehicle manufacturer's agreement. However, to ensure socket interchangeability it is recommended, to allow for future applications, that the outside diameter be 54 mm max. over a length of 70 mm max.
- b Sealing part
- c Dummy plug for pins Nos. 14 and 15
- d Opening angle 135° min.
- e Reference point for detent latching
- f This area shall be smooth and burr-free.

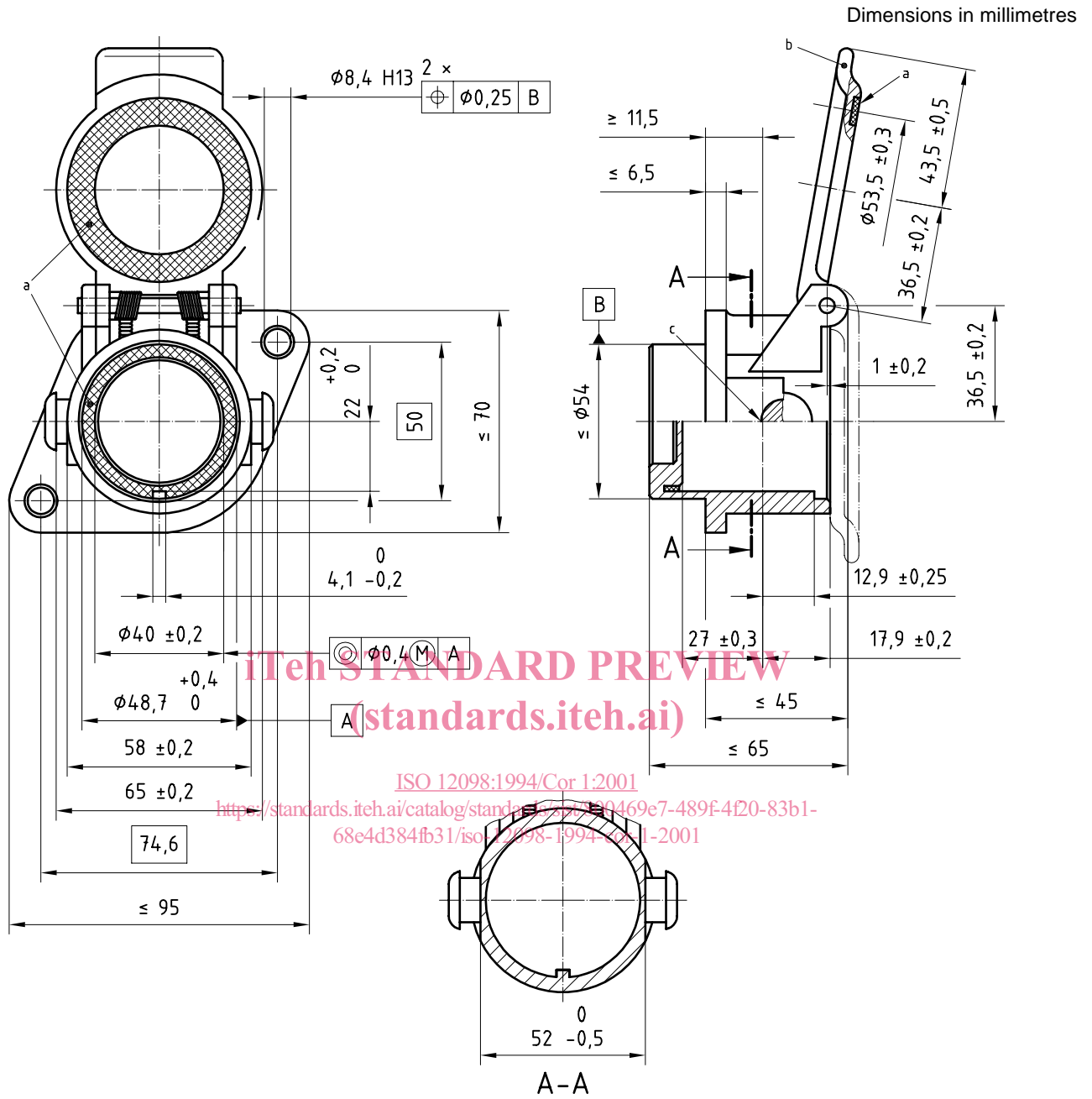
Figure 1 — Socket

Dimensions in millimetres



- a Locking lever in locked position
- b Flat seal ring
- c Insulating plug
- d Applies to parts which might contact the socket closing device
- e Centre of cover rest
- f Contact spring tube
- g Contact numbers at terminal face

Figure 2 — Plug



- a Sealing part
- b Opening angle 135° min.
- c Reference point for detent latching

Figure 3 — Park socket