



**VHF air-ground Digital Link (VDL) Mode 2;
Technical characteristics and
methods of measurement
for ground-based equipment;
Part 1: Physical layer and MAC sub-layer**

STANDARD PREVIEW
https://standards.iteh.ai/catalog/standards/sist/5-2da5-4108-b460-84225c784a35/etsi-en-301-841-1-v1-4-0-04

Reference

REN/AERO-00010

Keywords

aeronautical, radio, testing, VHF

ETSI

650 Route des Lucioles
F-06921 Sophia Antipolis Cedex - FRANCE

Tel.: +33 4 92 94 42 00 Fax: +33 4 93 65 47 16

Siret N° 348 623 562 00017 - NAF 742 C
Association à but non lucratif enregistrée à la
Sous-Préfecture de Grasse (06) N° 7803/88

Important notice

The present document can be downloaded from:

<http://www.etsi.org>

The present document may be made available in electronic versions and/or in print. The content of any electronic and/or print versions of the present document shall not be modified without the prior written authorization of ETSI. In case of any existing or perceived difference in contents between such versions and/or in print, the only prevailing document is the print of the Portable Document Format (PDF) version kept on a specific network drive within ETSI Secretariat.

Users of the present document should be aware that the document may be subject to revision or change of status. Information on the current status of this and other ETSI documents is available at

<http://portal.etsi.org/tb/status/status.asp>

If you find errors in the present document, please send your comment to one of the following services:

http://portal.etsi.org/chaicor/ETSI_support.asp

Copyright Notification

No part may be reproduced or utilized in any form or by any means, electronic or mechanical, including photocopying and microfilm except as authorized by written permission of ETSI.

The content of the PDF version shall not be modified without the written authorization of ETSI.

The copyright and the foregoing restriction extend to reproduction in all media.

© European Telecommunications Standards Institute 2014.

All rights reserved.

DECT™, **PLUGTESTS™**, **UMTS™** and the ETSI logo are Trade Marks of ETSI registered for the benefit of its Members. **3GPP™** and **LTE™** are Trade Marks of ETSI registered for the benefit of its Members and of the 3GPP Organizational Partners.

GSM® and the GSM logo are Trade Marks registered and owned by the GSM Association.

Contents

| | |
|--|----|
| Intellectual Property Rights | 6 |
| Foreword..... | 6 |
| Modal verbs terminology..... | 6 |
| Introduction | 7 |
| 1 Scope | 8 |
| 2 References | 8 |
| 2.1 Normative references | 8 |
| 2.2 Informative references..... | 9 |
| 3 Definitions and abbreviations..... | 9 |
| 3.1 Definitions..... | 9 |
| 3.1.1 Basic reference model definitions..... | 9 |
| 3.1.2 Service conventions definitions | 9 |
| 3.1.3 General definitions..... | 10 |
| 3.2 Abbreviations | 10 |
| 4 General architecture of VDL Mode 2..... | 12 |
| 5 Physical layer protocols and services functional specifications..... | 13 |
| 5.1 Overview | 13 |
| 5.1.1 Functions | 13 |
| 5.1.2 Data reception by the receiver | 13 |
| 5.1.3 Data transmission..... | 13 |
| 5.2 Transmission procedure | 13 |
| 5.3 Modulation scheme | 14 |
| 5.4 Training sequence..... | 15 |
| 5.4.1 RF power rise time definition | 15 |
| 5.5 Physical layer Service Access Point..... | 16 |
| 5.6 Tuning range and channel increments | 16 |
| 6 VDL MODE 2 equipment requirements | 16 |
| 6.1 Transmitter requirements | 16 |
| 6.1.1 Frequency Tolerance..... | 16 |
| 6.1.2 Manufacturer's declared output power..... | 16 |
| 6.1.3 Adjacent channel power..... | 17 |
| 6.1.3.1 16 kHz channel bandwidth..... | 17 |
| 6.1.3.2 25 kHz channel bandwidth..... | 17 |
| 6.1.4 Conducted Spurious emissions | 18 |
| 6.1.5 Cabinet radiation..... | 18 |
| 6.1.6 Modulation rate..... | 18 |
| 6.1.7 Intermodulation attenuation | 18 |
| 6.1.8 RF power rise time..... | 18 |
| 6.1.9 RF power release time | 18 |
| 6.1.10 Transceiver timing requirements | 19 |
| 6.1.10.1 Receiver to transmitter turn-around time | 19 |
| 6.1.10.2 Transmitter to receiver turn-around time | 19 |
| 6.1.11 Symbol constellation error..... | 19 |
| 6.1.12 Protection of the transmitter..... | 19 |
| 6.1.13 Load VSWR capability | 19 |
| 6.2 Receiver requirements | 19 |
| 6.2.1 Sensitivity | 19 |
| 6.2.2 Co-channel interference | 19 |
| 6.2.3 First Adjacent Channel Rejection | 19 |
| 6.2.4 Rejection of signals within the VHF Aeronautical band..... | 20 |
| 6.2.5 Rejection of signals outside the VHF Aeronautical band | 20 |

| | | |
|-----------|---|----|
| 6.2.6 | In-band Intermodulation | 20 |
| 6.2.7 | Desired signal dynamic range | 21 |
| 6.2.8 | Conducted spurious emission | 21 |
| 6.2.9 | Cabinet radiation..... | 21 |
| 6.2.10 | Symbol rate capture range | 21 |
| 6.2.11 | Frequency capture range | 21 |
| 6.3 | Void..... | 21 |
| 6.4 | MAC sub-layer requirements | 21 |
| 6.4.1 | MAC services | 21 |
| 6.4.1.1 | Multiple Access..... | 21 |
| 6.4.1.2 | Channel Congestion | 22 |
| 6.4.2 | MAC System Parameters..... | 22 |
| 6.4.2.1 | Timer TM1 (inter-access delay timer)..... | 22 |
| 6.4.2.2 | Timer TM2 (channel busy timer)..... | 22 |
| 6.4.2.3 | Parameter p (persistence) | 22 |
| 6.4.2.4 | Counter M1 (maximum access attempts)..... | 22 |
| 6.4.3 | Description of MAC Layer Procedures | 22 |
| 6.4.3.1 | Channel Sensing..... | 22 |
| 6.4.3.2 | Access Attempt | 22 |
| 6.4.3.3 | Signal Quality Parameter | 22 |
| 6.4.4 | Services (Part of DLS)..... | 23 |
| 6.4.4.1 | Error Detection..... | 23 |
| 6.4.4.2 | Station Identification..... | 23 |
| 7 | General requirements | 23 |
| 7.1 | General | 23 |
| 7.2 | Controls and indicators..... | 23 |
| 7.3 | Class of emission and modulation characteristics | 23 |
| 7.4 | Warm up..... | 24 |
| 8 | Test conditions, power sources and ambient temperatures | 24 |
| 8.1 | Test power source..... | 24 |
| 8.2 | Normal and extreme test conditions | 24 |
| 8.2.1 | Normal test conditions | 24 |
| 8.2.1.1 | Normal temperature and humidity | 24 |
| 8.2.1.2 | Normal power sources..... | 24 |
| 8.2.1.2.1 | Mains voltage and frequency..... | 24 |
| 8.2.1.2.2 | Other power sources | 24 |
| 8.2.2 | Extreme test conditions..... | 25 |
| 8.2.2.1 | Extreme temperatures..... | 25 |
| 8.2.2.2 | Procedure for tests at extreme temperatures..... | 25 |
| 8.2.2.2.1 | General | 25 |
| 8.2.2.2.2 | High temperature | 25 |
| 8.2.2.2.3 | Low temperature..... | 25 |
| 8.2.2.3 | Extreme values of test power sources | 26 |
| 8.2.2.4 | Other power sources..... | 26 |
| 8.3 | Test channels | 26 |
| 8.4 | General conditions of measurement | 26 |
| 8.4.1 | Receiver test signal arrangement | 26 |
| 8.4.2 | Receiver BER test..... | 26 |
| 8.4.3 | Performance check..... | 28 |
| 9 | Detailed Test Procedures for the physical layer..... | 28 |
| 9.1 | Transmitter | 28 |
| 9.1.1 | Frequency Error | 28 |
| 9.1.1.1 | Definition | 28 |
| 9.1.1.2 | Method of measurement..... | 28 |
| 9.1.1.3 | Limits | 28 |
| 9.1.2 | Manufacturer's declared output power..... | 28 |
| 9.1.3 | Adjacent channel power..... | 29 |
| 9.1.3.1 | Method of measurement for the first adjacent channel | 29 |
| 9.1.3.2 | Method of measurement for the second adjacent channel..... | 30 |
| 9.1.3.3 | Method of measurement for the fourth adjacent channel..... | 30 |

| | | |
|---|--|-----------|
| 9.1.3.4 | Wideband noise | 32 |
| 9.1.4 | Spurious emissions | 33 |
| 9.1.5 | Cabinet Radiation | 33 |
| 9.1.6 | Void | 33 |
| 9.1.7 | Inter-modulation attenuation..... | 33 |
| 9.1.8 | RF power rise time..... | 34 |
| 9.1.9 | RF power release time | 36 |
| 9.1.10 | Physical layer, system parameters | 37 |
| 9.1.10.1 | Receiver to Transmitter turn-around time | 37 |
| 9.1.10.2 | Transmitter to Receiver turn-around time | 38 |
| 9.1.11 | Symbol Constellation Error | 39 |
| 9.1.12 | Protection of the transmitter..... | 40 |
| 9.1.12.1 | Method of measurement..... | 40 |
| 9.1.12.2 | Requirement | 40 |
| 9.1.13 | Load VSWR capability | 40 |
| 9.2 | Receiver..... | 41 |
| 9.2.1 | Sensitivity | 41 |
| 9.2.2 | Co-channel interference | 41 |
| 9.2.3 | First Adjacent Channel Rejection | 42 |
| 9.2.4 | Rejection of signals within the VHF Aeronautical band..... | 43 |
| 9.2.5 | Rejection of signals outside the VHF Aeronautical band | 44 |
| 9.2.6 | In-band Intermodulation | 44 |
| 9.2.7 | Desired Signal dynamic range | 45 |
| 9.2.8 | Conducted spurious emission | 46 |
| 9.2.9 | Cabinet Radiation | 46 |
| 9.2.10 | Symbol rate capture range | 46 |
| 9.2.11 | Frequency capture range..... | 47 |
| 9.3 | Void..... | 47 |
| 9.4 | MAC sub-layer | 48 |
| 9.4.1 | MAC services | 48 |
| 9.4.1.1 | Multiple Access..... | 48 |
| 9.4.1.2 | Channel Congestion | 48 |
| 9.4.2 | MAC System Parameters..... | 48 |
| 9.4.2.1 | Timer TM1 (inter-access delay timer)..... | 48 |
| 9.4.2.2 | Timer TM2 (channel busy timer)..... | 49 |
| 9.4.2.3 | Parameter p (persistence) | 50 |
| 9.4.2.4 | Counter M1 (maximum access attempts)..... | 51 |
| 9.4.3 | Description of MAC Layer Procedures | 51 |
| 9.4.3.1 | Channel Sensing..... | 51 |
| 9.4.3.2 | Access Attempt | 52 |
| 9.4.3.3 | Signal Quality Parameter | 52 |
| 9.4.4 | Services (Part of DLS)..... | 53 |
| 9.4.4.1 | Error Detection..... | 53 |
| 9.4.4.2 | Station Identification..... | 53 |
| Annex A (informative): Bibliography..... | | 54 |
| History | | 55 |

Intellectual Property Rights

IPRs essential or potentially essential to the present document may have been declared to ETSI. The information pertaining to these essential IPRs, if any, is publicly available for **ETSI members and non-members**, and can be found in ETSI SR 000 314: "*Intellectual Property Rights (IPRs); Essential, or potentially Essential, IPRs notified to ETSI in respect of ETSI standards*", which is available from the ETSI Secretariat. Latest updates are available on the ETSI Web server (<http://ipr.etsi.org>).

Pursuant to the ETSI IPR Policy, no investigation, including IPR searches, has been carried out by ETSI. No guarantee can be given as to the existence of other IPRs not referenced in ETSI SR 000 314 (or the updates on the ETSI Web server) which are, or may be, or may become, essential to the present document.

Foreword

This draft European Standard (EN) has been produced by ETSI Technical Committee Aeronautics (AERO), and is now submitted for the combined Public Enquiry and Vote phase of the ETSI standards EN Approval Procedure.

The present document is part 1 of a multi-part deliverable covering VHF air-ground Digital Link (VDL) Mode 2; Technical characteristics and methods of measurement for ground-based equipment, as identified below:

Part 1: "Physical layer and MAC sub-layer";

Part 2: "Upper layers";

Part 3: "Harmonized EN covering the essential requirements of article 3.2 of the R&TTE Directive".

| Proposed national transposition dates | |
|--|---------------------------------|
| Date of latest announcement of this EN (doa): | 3 months after ETSI publication |
| Date of latest publication of new National Standard or endorsement of this EN (dop/e): | 6 months after doa |
| Date of withdrawal of any conflicting National Standard (dow): | 6 months after doa |

Modal verbs terminology

In the present document "**shall**", "**shall not**", "**should**", "**should not**", "**may**", "**may not**", "**need**", "**need not**", "**will**", "**will not**", "**can**" and "**cannot**" are to be interpreted as described in clause 3.2 of the [ETSI Drafting Rules](#) (Verbal forms for the expression of provisions).

"**must**" and "**must not**" are **NOT** allowed in ETSI deliverables except when used in direct citation.

Introduction

The present document states the technical specifications for ground-based equipment implementing Very High Frequency (VHF) Digital Link (VDL) Mode 2 air interface, operating in the VHF band (117,975 MHz to 137,000 MHz) with 25 kHz channel spacing.

Manufacturers should note that in the future, all or part of the frequency band 108,000 MHz to 117,975 MHz may become available for aeronautical communications.

The VDL Mode 2 system is designed to be a Ground/Air sub-system of the Aeronautical Telecommunication Network (ATN) using the AM(R)S band and it is organized according to the Open Systems Interconnection (OSI) model (defined by ISO). It will provide reliable subnetwork services to the ATN system.

The present document may be used to produce tests for the assessment of the performance of the equipment.

ITEH STANDARD PREVIEW
(standards.iteh.ai)
Full standard:
<https://standards.iteh.ai/catalog/standards/sist/b4adc2f5-2da5-4108-b460-84225c784a39/etsi-en-301-841-1-v1.4.1-2015-04>

1 Scope

The present document applies to VDL Mode 2 ground-air digital communications using Differential Eight Phase Shift Keying (D8PSK), intended for channel increments of 25 kHz. The VDL Mode 2 system provides data communication exchanges between aircraft and ground-based systems. The scope of the present document is limited to ground-based stations.

The present document provides functional specifications for ground-based radio equipment intended to be used for ground-air data communications. The present document is derived from the following documents:

- Annex 10 of the ICAO Convention on International Civil Aviation [1].
- ED 92B [i.2]: "MOPS for an Airborne VDL Mode-2 Transceiver Operating in the frequency range 118-136.975 MHz" (2012), which specifies the airborne transceiver.

The present document consists of two parts:

- the first part provides functional specifications and test procedures for physical layer and MAC sub-layer;
- the second part provides functional specifications and test procedures for link and sub-network access layers.

2 References

References are either specific (identified by date of publication and/or edition number or version number) or non-specific. For specific references, only the cited version applies. For non-specific references, the latest version of the reference document (including any amendments) applies.

Referenced documents which are not found to be publicly available in the expected location might be found at <http://docbox.etsi.org/Reference>.

NOTE: While any hyperlinks included in this clause were valid at the time of publication ETSI cannot guarantee their long term validity.

2.1 Normative references

The following referenced documents are necessary for the application of the present document.

- [1] ICAO Convention on International Civil Aviation: "Annex 10 - Aeronautical Telecommunications, Volume III - Communication Systems, Part I - Digital Data Communication Systems, Second Edition, July 2007, incorporating Amendments up to 88A (applicable 14/11/13). Chapter 6 - VHF Air-ground Digital Link (VDL)".
- [2] ICAO Convention on International Civil Aviation: "Annex 10 - Aeronautical Telecommunications, Volume V - Aeronautical Radio Frequency Spectrum Utilization", Third Edition, July 2013 incorporating Amendments up to 88A.
- [3] ETSI EN 300 113-1: "Electromagnetic compatibility and Radio spectrum Matters (ERM); Land mobile service; Radio equipment intended for the transmission of data (and/or speech) using constant or non-constant envelope modulation and having an antenna connector; Part 1: Technical characteristics and methods of measurement".
- [4] ICAO Document 9776/AN970 (first edition, 2001): "Manual on VHF Digital Link (VDL) mode 2".

2.2 Informative references

The following referenced documents are not necessary for the application of the present document but they assist the user with regard to a particular subject area.

- [i.1] ETSI EN 301 841-2: "Electromagnetic compatibility and Radio spectrum Matters (ERM); VHF air-ground Digital Link (VDL) Mode 2; Technical characteristics and methods of measurement for ground-based equipment; Part 2: Upper layers".
- [i.2] EUROCAE ED 92B: "MOPS for an Airborne VDL Mode-2 Transceiver operating in the frequency range 118-136.975 MHz".
- [i.3] ISO/IEC 13239: "Information technology - Telecommunications and information exchange between systems - High-level data link control (HDLC) procedures".
- [i.4] ISO/IEC 8208: "Information technology - Data communications - X.25 Packet Layer Protocol for Data Terminal Equipment".
- [i.5] ISO/IEC 7498-1: "Information technology - Open Systems Interconnection - Basic Reference Model: The Basic Model".
- [i.6] ISO/IEC 10731: "Information technology - Open Systems Interconnection - Basic Reference Model - Conventions for the definition of OSI services".
- [i.7] ITU Radio Regulations (2012).

3 Definitions and abbreviations

3.1 Definitions

3.1.1 Basic reference model definitions

The present document is based on the concepts developed in the open systems interconnect basic reference model and makes use of the following terms defined in ISO/IEC 7498-1 [i.5]:

- layer;
- sublayer;
- entity;
- service;
- service access point;
- service data unit;
- physical layer;
- data link layer.

3.1.2 Service conventions definitions

For the purposes of the present document, the terms and definitions given in ISO/IEC 10731 [i.6] apply:

- service provider;
- service user;
- service primitive;

- request;
- indication;
- confirm.

3.1.3 General definitions

For the purposes of the present document, the following terms and definitions apply:

adjacent channel power: amount of the modulated RF signal power transmitted outside of the assigned channel

NOTE: Adjacent channel power includes discrete spurious, signal sidebands, and noise density (including phase noise) at the transmitter output.

adjacent channel rejection: receiver's ability to demodulate the desired signal and meet the uncorrected BER requirement in the presence of an interfering signal in an adjacent channel

NOTE: The ratio (in dB) between the adjacent interfering signal level and the desired signal level necessary to achieve the specified minimum uncorrected BER, is the adjacent channel rejection (ACR) ratio.

aeronautical mobile service: mobile service between aeronautical stations and aircraft stations, or between aircraft stations, in which survival craft stations may participate

average transmitter output power: average power supplied to the antenna transmission line by a transmitter during an interval of time sufficiently long, compared with the lowest frequency encountered in the modulation, taken under normal operating conditions

Bit Error Rate (BER): ratio between the number of erroneous bits received and the total number of bits received

NOTE: The uncorrected BER represents the BER without the benefit of Forward Error Correction (FEC).

Co-Channel Interference (CCI): capability of a receiver to demodulate the desired signal and achieve the minimum specified BER performance in the presence of an unwanted signal at the same assigned channel

NOTE: The ratio (in dB) between the wanted signal level and the unwanted signal level is the co-channel interference ratio.

conducted measurements: measurements which are made using a direct rf connection to the equipment under test

ground base station: aeronautical station equipment, in the aeronautical mobile service, for use with an external antenna and intended for use at a fixed location

spurious emissions: conducted rf emissions on a frequency or frequencies which are outside the necessary bandwidth and the level of which may be reduced without affecting the corresponding transmission of information

NOTE: Spurious emissions include parasitic emissions, intermodulation products and frequency conversion products.

X 25: ITU-T standard for the protocols and message formats that define the interface between a terminal and a packet switching network

3.2 Abbreviations

For the purposes of the present document, the following abbreviations apply:

| | |
|--------|--|
| AC | Alternating Current |
| ACP | Adjacent Channel Protection |
| ACR | Adjacent Channel Rejection |
| AGC | Automatic Gain Control |
| AM(R)S | Aeronautical Mobile (Route) Service |
| ATN | Aeronautical Telecommunication Network |
| AVL | Aviation VHF Link |

| | |
|--------------|---|
| AVLC | Aviation VHF Link Control |
| AVLC_LI | Aviation VHF Link Control Length Indicator |
| AVPL | Aviation VHF Physical Layer |
| AVPL-Header | AVPL Header and training sequence |
| AVPL-TBS | AVPL Transmitted Bit Scrambled sequence |
| AVPL-THeader | AVPL Transmission Header sequence |
| AVPL-THI | AVPL Transmitted Header appended and Interleaved sequence |
| AVPL-TIRS | AVPL Transmitted Interleaved RS encoded sequence |
| AVPL-TTS | AVPL Transmitted Ternary Symbol sequence |
| AWG | Arbitrary Waveform Generator |
| BER | Bit Error Rate |
| CCI | Co Channel Interference |
| CRC | Cyclic Redundancy Check |
| CSMA | Carrier Sense Multiple Access |
| CW | Continuous Wave |
| D8PSK | Differentially encoded 8 Phase Shift Keying |
| dBc | Decibels relative to the carrier |
| dBm | Decibels relative to 1 milliwatt |
| DLS | Data Link Service |
| ED | Eurocae Document |
| EVM | Error Vector Magnitude |
| FCS | Frame Check Sequence |
| FEC | Forward Error Correction |
| FM | Frequency Modulation |
| HDLC | High-level Data Link Control |
| ICAO | International Civil Aviation Organization |
| IF | Intermediate Frequency |
| IS | Intermediate System |
| ISO | International Organization for Standardization |
| LME | Link Management Entity |
| MAC | Media Access Control |
| MOPS | Minimum Operational Performance Specification |
| OSI | Open Systems Interconnection |
| PC | Personal Computer |
| ppm | parts per million |
| RF | Radio Frequency |
| RMS | Root Mean Square |
| RS | Reed-Solomon |
| RSSI | Received Signal Strength Indicator |
| SAP | Service Access Point |
| SARPS | Standards And Recommended PracticeS (ICAO) |
| SNAcP | SubNetwork Access Protocol |
| SQP | Signal Quality Parameter |
| TIRS matrix | Transmission Interleaver and RS encoding matrix |
| VDL | VHF Digital Link |
| VHF | Very High Frequency |
| VME | VDL Management Entity |
| VSA | Vector Signal Analyser |
| VSWR | Voltage Standing Wave Ratio |

4 General architecture of VDL Mode 2

The general architecture of the VHF radio equipment operating in VDL Mode 2 is depicted in figure 1. This figure presents the different functional parts of the VDL Mode 2 equipment.

The VDL system is related to the three lower layers of the OSI model providing services described as follows:

Layer 1 (Physical layer): provides transceiver frequency control, bit exchanges over the radio media, and notification functions. These functions are often known as radio and modulation functions. The physical layer handles information exchanges at the lowest level and manipulates bits. The physical layer handles modulation, data encoding and includes a forward error correction mechanism based on interleaving and Reed Solomon coding.

Layer 2 (Link Layer): is split into two sublayers and a link management entity:

- The MAC sublayer provides access to the Physical layer by a CSMA algorithm in charge of channel access. The MAC layer controls channel access and sharing.
- The DLS sublayer is composed of the AVLC derived from the HDLC protocol (ISO/IEC 13239 [i.3]) whose main functions are frame exchanges, frame processing, and error detection.
- The LME controls the link establishment and maintenance between DLS sublayers.

Layer 3: Only the lowest network sublayer of layer 3 (SNAcP) will be described in ETSI EN 301 841-2 [i.1]. It is compliant with the subnetwork sublayer requirements defined in the ATN SARPs and conforms with the ISO/IEC 8208 [i.4] (or network layer of X.25). It provides packet exchanges over a virtual circuit, error recovery, connection flow control, packet fragmentation, and subnetwork connection management functions.

The DLS and LME part of the Layer 2 and Layer 3 are specified in ETSI EN 301 841-2 [i.1].

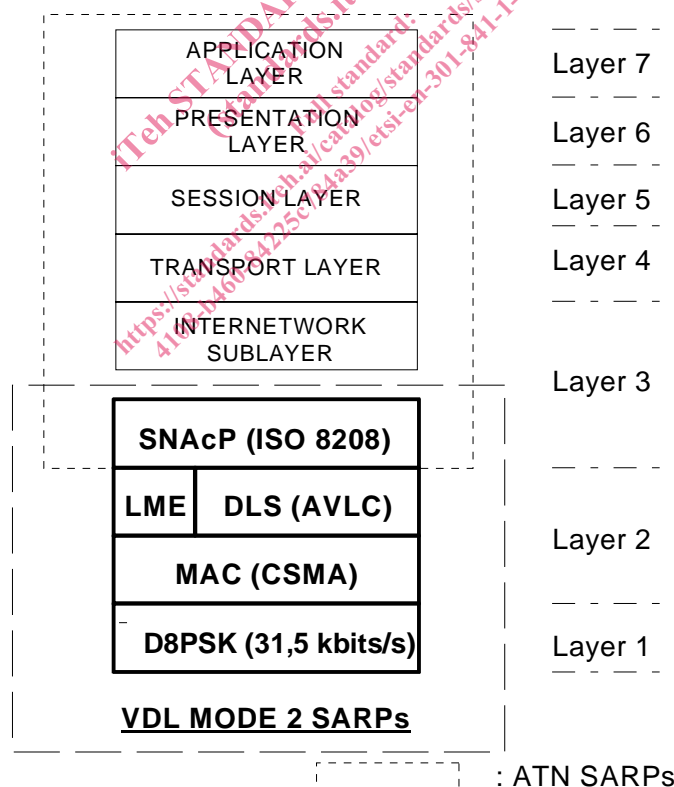


Figure 1: VDL SARPs [1] in the ATN/OSI Organization

5 Physical layer protocols and services functional specifications

5.1 Overview

The ground stations shall access the physical layer operating in simplex mode.

5.1.1 Functions

The tasks of the physical layer include the following:

- to modulate and demodulate radio carriers with a bit stream of a defined instantaneous rate to create an rf link;
- to acquire and maintain bit and burst synchronization between Transmitters and Receivers;
- to transmit or receive a defined number of bits at a requested time (packet mode) and on a particular carrier frequency;
- to add and remove a training sequence;
- to encode and decode the Forward Error Correction scheme;
- to measure received signal strength;
- to decide whether a channel is idle or busy, for the purposes of managing channel access attempts;
- to offer a notification service about the quality of link.

5.1.2 Data reception by the receiver

The receiver shall decode input signals and forward them to the higher layers for processing.

5.1.3 Data transmission

The VDL physical layer shall appropriately encode the data received from the data link layer and transmit it over the rf channel.

5.2 Transmission procedure

To transmit a sequence of frames, a station shall insert the bit numbers and, compute the FEC, interleave, insert the training sequence, carry out bit scrambling, and finally encode and modulate the rf signal. See figure 2.