



SLOVENSKI STANDARD
oSIST prEN 12519:2015
01-januar-2015

Okna in vhodna vrata – Terminologija

Windows and pedestrian doors - Terminology

Fenster und Türen - Terminologie

Fenêtres et portes pour piétons - Terminologie

Ta slovenski standard je istoveten z: prEN 12519 rev

<https://standards.iteh.ai/catalog/standards/sist/436a4d1f-bc2b-47db-9315-2ac540f852b9/sist-en-12519-2018>

ICS:

01.040.91	Gradbeni materiali in gradnja (Slovarji)	Construction materials and building (Vocabularies)
91.060.50	Vrata in okna	Doors and windows

oSIST prEN 12519:2015

en,fr,de

EUROPEAN STANDARD
NORME EUROPÉENNE
EUROPÄISCHE NORM

DRAFT
prEN 12519 rev

November 2014

ICS 01.040.19; 91.060.50

Will supersede EN 12519:2004

English Version

Windows and pedestrian doors - Terminology

This draft European Standard is submitted to CEN members for enquiry. It has been drawn up by the Technical Committee CEN/TC 33.

If this draft becomes a European Standard, CEN members are bound to comply with the CEN/CENELEC Internal Regulations which stipulate the conditions for giving this European Standard the status of a national standard without any alteration.

This draft European Standard was established by CEN in three official versions (English, French, German). A version in any other language made by translation under the responsibility of a CEN member into its own language and notified to the CEN-CENELEC Management Centre has the same status as the official versions.

CEN members are the national standards bodies of Austria, Belgium, Bulgaria, Croatia, Cyprus, Czech Republic, Denmark, Estonia, Finland, Former Yugoslav Republic of Macedonia, France, Germany, Greece, Hungary, Iceland, Ireland, Italy, Latvia, Lithuania, Luxembourg, Malta, Netherlands, Norway, Poland, Portugal, Romania, Slovakia, Slovenia, Spain, Sweden, Switzerland, Turkey and United Kingdom.

Recipients of this draft are invited to submit, with their comments, notification of any relevant patent rights of which they are aware and to provide supporting documentation.

Warning : This document is not a European Standard. It is distributed for review and comments. It is subject to change without notice and shall not be referred to as a European Standard.



EUROPEAN COMMITTEE FOR STANDARDIZATION
COMITÉ EUROPÉEN DE NORMALISATION
EUROPÄISCHES KOMITEE FÜR NORMUNG

CEN-CENELEC Management Centre: Avenue Marnix 17, B-1000 Brussels

Contents

	Page
Foreword.....	3
1 Scope	4
2 Terminology for Windows.....	4
3 Terminology for Doors	12
Annex A (informative).....	25
A.1 Types of window	25
A.1.1 Types of pivoted window	25
A.1.2 Types of sash windows.....	27
A.1.3 Types of casement windows	28
A.1.4 Types of sliding, projecting casement windows	29
A.1.5 Tilt and turn (or turn and tilt) window.....	31
A.1.6 Louvered window with intermediate axis.....	32
A.1.7 Folding window (centre pivot).....	32
A.1.8 Folding window (fixed one edge).....	33
A.2 Types of glazing bar	33
A.2.1 Attached bars	33
A.2.2 Single cross bar in the IGU with or without attached bars	33
A.2.3 Multiple cross bars in the IGU	34
A.2.4 Glazing bar (Georgian)	34
A.3 Types of direct glazing	34
Annex B (informative).....	37
B.1 Types of door action	37
B.1.1 Single action.....	37
B.1.2 Double action	37
B.1.3 Sliding	37
B.1.4 Sliding folding	38
B.1.5 Pivoted folding.....	38
Annex C (informative).....	39
C.1 Leaf rebate arrangements	39
C.1.1 Unrebated	39
C.1.2 Rebated (also known as over rebated)	39
C.1.3 Double rebated.....	39

Foreword

This document (prEN 12519:2014) has been prepared by Technical Committee CEN/TC 33 “Doors, windows, shutters, building hardware and curtain walling”, the secretariat of which is held by AFNOR.

This document is currently submitted to the CEN Enquiry.

This document will supersede EN 12519:2004.

Annex A is informative.

iTeh STANDARD PREVIEW
(standards.iteh.ai)

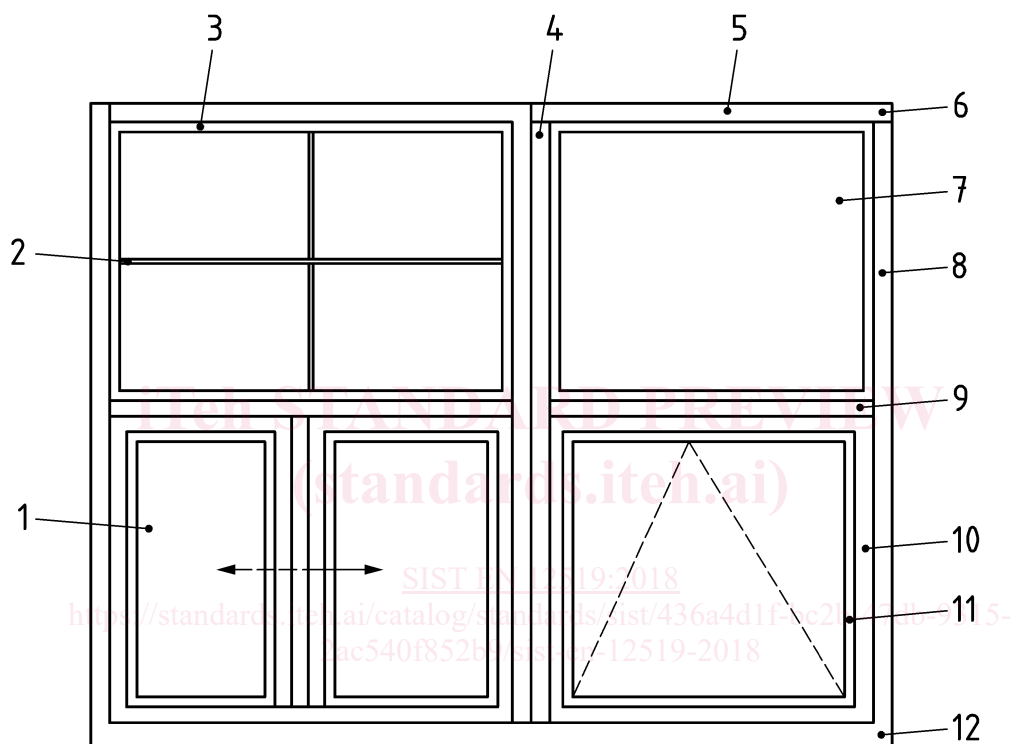
SIST EN 12519:2018

<https://standards.iteh.ai/catalog/standards/sist/436a4d1f-bc2b-47db-9315-2ac540f852b9/sist-en-12519-2018>

1 Scope

This European Standard specifies general terminology for windows and pedestrian doors. The various terms are illustrated with the aid of figures.

2 Terminology for Windows



Key

- 1 sash
- 2 glazing bar
- 3 fixed window
- 4 mullion
- 5 head
- 6 frame
- 7 fixed light
- 8 jamb
- 9 transom
- 10 casement
- 11 glazing head
- 12 sill

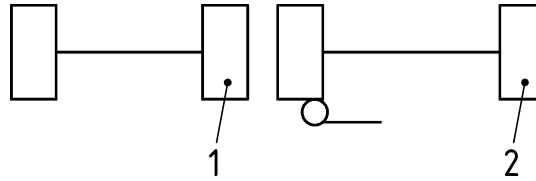
Figure 1

NOTE See Annex A for opening functions of windows.

2.1

active sash/casement

sash/casement of a multi-sash window, intended to be moved first to provide opening

**Key**

- 1 passive casement
- 2 active casement

Figure 2**2.2****casement**

opening element of a window

See Figure 2. See Annex A for opening functions of windows.

2.3**casement door**

door height window

2.4**casement window**

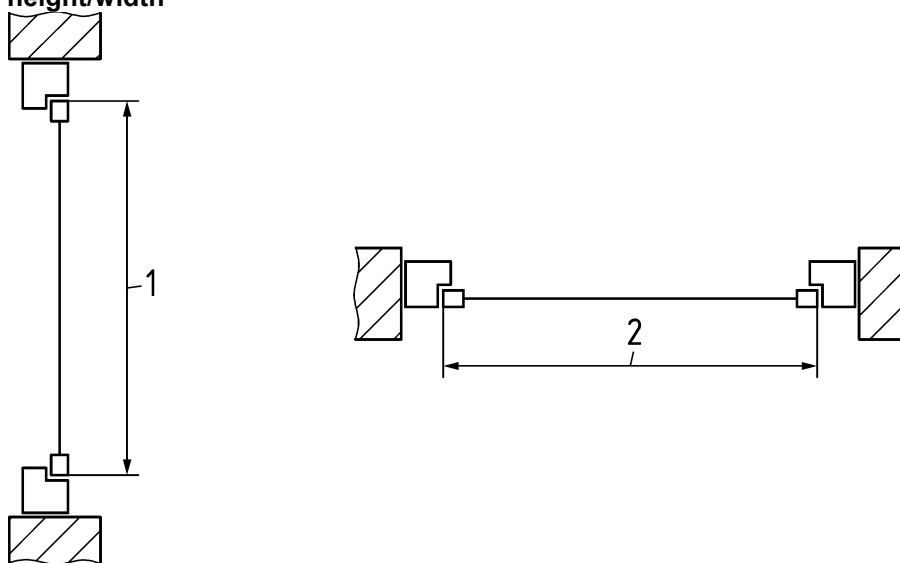
building component for closing an opening in a wall or pitched roof with an opening element that may admit light and/or provide ventilation

(standards.iteh.ai)

SIST EN 12519:2018

<https://standards.iteh.ai/catalog/standards/sist/436a4d1f-bc2b-47db-9315-2ac540f852b9/sist-en-12519-2018>

2.5
clear casement height/width



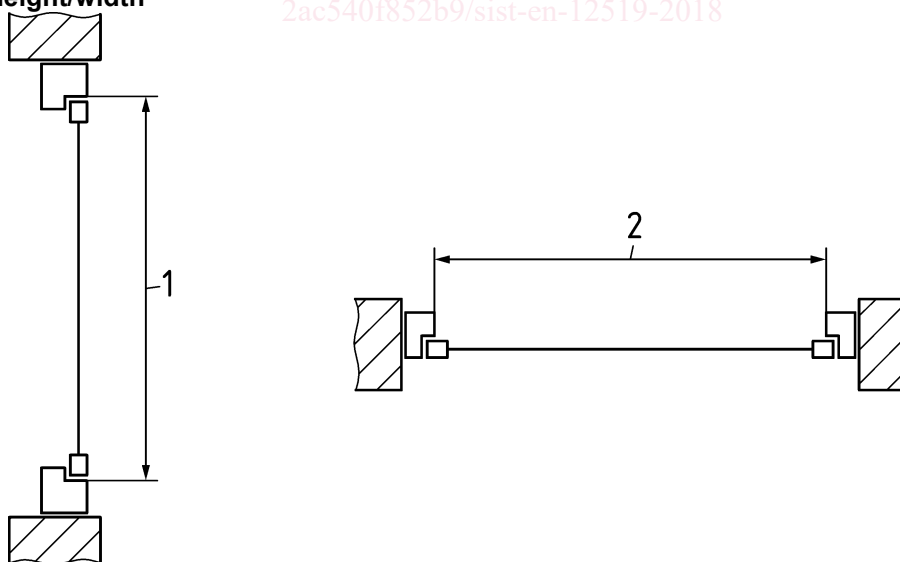
Key

- 1 overall casement height
- 2 overall casement width

Figure 3

Figure 4

2.6
clear opening height/width



Key

- 1 clear opening height
- 2 clear opening width

Figure 5

Figure 6

NOTE Certain types of hardware like e.g. door closer could influence the clear opening height.

2.7**closed**

the movable parts rest in or at the fixed parts in a way in which they may be fastened (latched and/or locked)

2.8**coupled window**

where both casements are operated by one action, but can be disconnected for specific purposes such as maintenance or cleaning

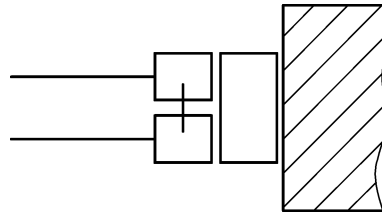


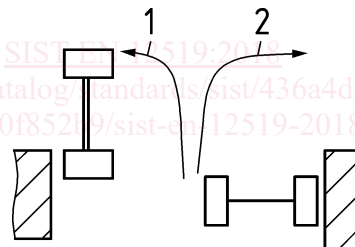
Figure 7

2.9**direct glazing**

glazing sealed inside a casement frame which, when the casement is closed, is linearly mounted on at least two edges (see Annex A.3)

2.10**direction of rotation**

the movement of a hinged or pivoted window sash/casement around its fixing, either clockwise or counter-clockwise

**Key**

- 1 direction of rotation – counter-clockwise
- 2 direction of rotation – clockwise

Figure 8

2.11**door height window/French window/casement door**

window which extends to floor level and allows access or passage for persons

prEN 12519:2014 (E)

2.12

double window

window with casements that operate independently

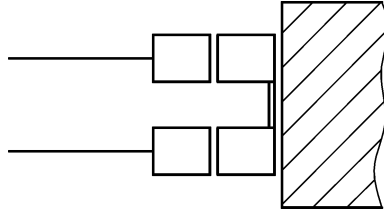
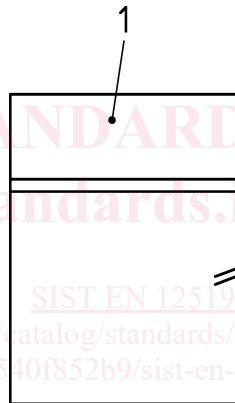


Figure 9

2.13

fanlight

infill panel of glass or translucent material fitted within a window frame, above the moving sash(es)/casement(s) and with a solid member (transom) between it and the moving part(s)

**Key**

1 fanlight

Figure 10

2.14

fastened

where the movable part is restrained at one or more points

2.15

fixed light

window with infill fitted directly into the frame

See Figure 2.

2.16

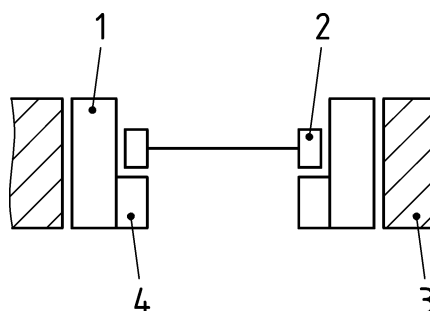
fixed window

window with infill mounted in a sash or casement construction but which differs from an operable window only in that the hardware used does not permit the sash to be opened on a regular basis but holds the sash to the frame. A fixed window contains all the gaskets that an operable window does and these can be replaced by dismantling the sash from the frame.

See Figure 2.

2.17 frame

component forming the perimeter of a window, enabling it to be fixed to the building structure



Key

- 1 window frame
- 2 casement or sash frame
- 3 stop
- 4 building structure

Figure 11

2.18 glazing

transparent or translucent infill, together with all the components required to hold it within a frame

2.19 glazing bar/muntin

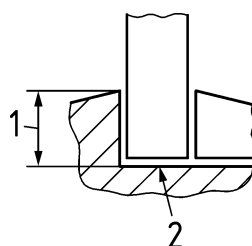
member subdividing the glazed area into smaller panes, either physically (Georgian bar) or visually (cross- or attached bar)

NOTE See Annex A for different types of glazing bar.

2.20 glazing bead

section retaining infill within its frame

2.21 glazing rebate platform



Key

- 1 glazing rebate upstand
- 2 glazing rebate platform

Figure 12

2.22 glazing rebate upstand

see Figure 12

prEN 12519:2014 (E)

2.23**head**

the top horizontal member of a window frame

2.24**infill**

panel of transparent or opaque material or combination of materials

2.25**jamb**

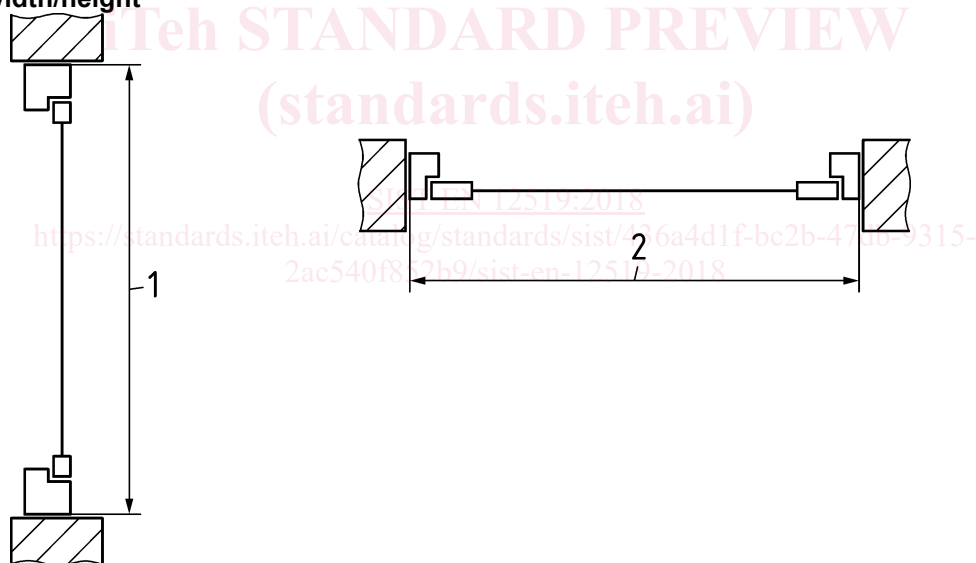
a vertical side member of a window frame

2.26**latched**

the movable part is returned to its closed position and restrained by either a) an engaging fastener or b) a roller catch

2.27**locked**

the movable part is further restrained in the closed position by additional operations (by e.g. handle, key or electronic devices) to engage integrated locking devices (e.g. nutbolts or deadbolts) which will affect the product's characteristics

2.28**overall frame width/height****Key**

- 1 door frame height
- 2 overall frame width

Figure 13

2.29**passive sash/casement**

leaf or leaves of a multi-leaved window, intend to be moved after the active leaf or leaves

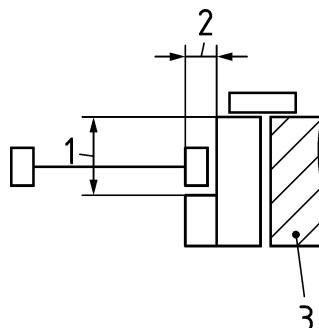
See Figure 2.1.

2.30**pivot window**

a window that opens by pivoting either horizontally or vertically

2.31**rebate**

a recess in a frame, into which a moving element fits. A rebate has two measurements, “r” the width of the rebate measured in the same plane as the width of the casement and “R” the depth of the rebate measured in the same plane as the thickness of the moving element. See A.5 for examples of differed types of rebate.

**Key**

- 1 rebate “R”
- 2 rebate “r”
- 3 wall

Figure 14**2.32****ribbon window**

two or more windows which are attached to each other (either horizontally or vertically) without supporting structure between them

2.33**roof window**

window intended for installation in a roof or the like which is inclined. Roof windows have the same characteristics as windows installed in walls with regard to junction, cleaning, maintenance and durability

2.34**sash**

sliding opening element of a window

2.35**scissor action window**

casement window which is retained and operated with a lever mechanism, with or without a restrictor, that is not visible from either the inside or the outside when the movable part is in the closed position

NOTE See Annex A for opening functions of windows.

2.36**screen**

within a building, an assembly of two or more windows and/or doorsets in one plane, with or without separate frames

2.37**secured**

any action(s) which prevent unauthorised release of the fastening device(s) to allow exit or entry (e.g. child safety, burglary)

2.38**sill**

bottom member of a window frame