



Designation: F1875 – 98 (Reapproved 2004)

Standard Practice for Fretting Corrosion Testing of Modular Implant Interfaces: Hip Femoral Head-Bore and Cone Taper Interface¹

This standard is issued under the fixed designation F1875; the number immediately following the designation indicates the year of original adoption or, in the case of revision, the year of last revision. A number in parentheses indicates the year of last reapproval. A superscript epsilon (ϵ) indicates an editorial change since the last revision or reapproval.

1. Scope

1.1 This practice describes the testing, analytical, and characterization methods for evaluating the mechanical stability of the bore and cone interface of the head and stem junction of modular hip implants subjected to cyclic loading by measurements of fretting corrosion (1-5).² Two test methods described are as follows:

1.1.1 *Method I*—The primary purpose of this method is to provide a uniform set of guidelines for long-term testing to determine the amount of damage by measurement of the production of corrosion products and particulate debris from fretting and fretting corrosion. Damage also is assessed by characterization of the damage to the bore and cone surfaces (4, 5).

1.1.2 *Methods II*—This method provides for short-term electrochemical evaluation of the fretting corrosion of the modular interface. It is not the intent of this method to produce damage nor particulate debris but rather to provide a rapid method for qualitative assessment of design changes which do not include material changes (1-4).

1.2 This practice does not provide for judgment or prediction of *in vivo* implant performance, but rather, provides for a uniform set of guidelines for evaluating relative differences in performance between differing implant designs, constructs, or materials with performance defined in the context of the amount of fretting and fretting corrosion. Also, this practice should permit direct comparison of fretting corrosion data between independent research groups, and thus, provide for building of a data base on modular implant performance.

1.3 This practice provides for comparative testing of manufactured hip femoral heads and stems and for coupon type specimen testing where the male taper portion of the modular junction does not include the entire hip implant, with the taper portion of the coupon identical in design, manufacturing, and materials to the taper of the final hip implant (4,5).

1.4 Method I of this practice has been provided in a manner to permit simultaneous evaluation of the fatigue strength of a femoral hip stem (in accordance with Practice F1440) and the mechanical stability and debris generated by fretting and fretting corrosion of the modular interface.

1.5 The general concepts and methodologies described in this practice could be applied to the study of other modular interfaces in total joint prostheses.

1.6 *This standard may involve hazardous materials, operations, and equipment. This standard does not purport to address all of the safety concerns, if any, associated with its use. It is the responsibility of the user of this standard to establish appropriate safety and health practices and determine the applicability of regulatory limitations prior to use.*

2. Referenced Documents

2.1 *ASTM Standards*:³

- E4 Practices for Force Verification of Testing Machines
- E466 Practice for Conducting Force Controlled Constant Amplitude Axial Fatigue Tests of Metallic Materials
- E467 Practice for Verification of Constant Amplitude Dynamic Forces in an Axial Fatigue Testing System
- F561 Practice for Retrieval and Analysis of Medical Devices, and Associated Tissues and Fluids
- F746 Test Method for Pitting or Crevice Corrosion of Metallic Surgical Implant Materials
- F897 Test Method for Measuring Fretting Corrosion of Osteosynthesis Plates and Screws
- F1440 Practice for Cyclic Fatigue Testing of Metallic Stemmed Hip Arthroplasty Femoral Components Without Torsion⁴
- F1636 Specification for Bores and Cones for Modular Femoral Heads⁵
- G3 Practice for Conventions Applicable to Electrochemical Measurements in Corrosion Testing
- G5 Reference Test Method for Making Potentiostatic and

¹ This practice is under the jurisdiction of ASTM Committee F04 on Medical and Surgical Materials and Devices and is the direct responsibility of Subcommittee F04.15 on Material Test Methods.

Current edition approved Aug. 1, 2004. Published August 2004. Originally approved in 1998. Last previous edition approved in 1998 as F1875 – 98. DOI: 10.1520/F1875-98R04.

² The bold face numbers in parentheses refers to the list of references at the end of this standard.

³ For referenced ASTM standards, visit the ASTM website, www.astm.org, or contact ASTM Customer Service at service@astm.org. For *Annual Book of ASTM Standards* volume information, refer to the standard's Document Summary page on the ASTM website.

⁴ Withdrawn.

⁵ Withdrawn. The last approved version of this historical standard is referenced on www.astm.org.

Potentiodynamic Anodic Polarization Measurements
 G15 Terminology Relating to Corrosion and Corrosion Testing
 G40 Terminology Relating to Wear and Erosion
 G61 Test Method for Conducting Cyclic Potentiodynamic Polarization Measurements for Localized Corrosion Susceptibility of Iron-, Nickel-, or Cobalt-Based Alloys
 G102 Practice for Calculation of Corrosion Rates and Related Information from Electrochemical Measurements
 2.2 ISO Standards:
 ISO 7206-7 Endurance Performance of Stemmed Femoral Components Without Application of Torsion⁶

F1440. The head neck junction is exposed to a saline or proteinaceous solution, either by immersion of the entire device, or with a fluid containing envelope. The cyclic load is applied for a minimum of 10 million cycles. At the conclusion of testing, the isolated fluid is withdrawn for chemical analysis for total elemental level, and characterization of particulate debris. The taper interface is subsequently disengaged and the surfaces inspected for fretting wear and corrosion using optical microscopy and scanning electron microscopy. The output of these methods is a quantitative measure of total elemental level and a qualitative evaluation of damage of the modular interface caused by fretting wear and corrosion.

3. Terminology

3.1 Definitions:

3.1.1 *corrosive wear, n*—wear in which chemical or electrochemical reaction with the environment is significant.

3.1.2 *coverage, n*—the length, parallel to the taper surface, that the bore and cone interfaces are in contact.

3.1.3 *crevice corrosion, n*—localized corrosion of a metal surface at, or immediately adjacent to, an area that is shielded from full exposure to the environment because of close proximity between the metal and the surface of another material.

3.1.4 *external circuit, n*—the wires, connectors, measuring devices, current sources, and so forth that are used to bring about or measure the desired electrical conditions within the test cell.

3.1.5 *femoral head neck extension, n*—a distance parallel to the taper axis, from the nominal neck offset length (*k*) as defined in Specification F1636, and the center of the head. Such variants from the nominal length are used to adjust for resection level, leg length, and so forth. A positive neck extension equates to the center of the head being located further away from the stem.

3.1.6 *fretting, n*—small amplitude oscillatory motion, usually tangential, between two solid surfaces in contact.

3.1.7 *fretting corrosion, n*—the deterioration at the interface between contacting surfaces as the result of corrosion and slight oscillatory slip between the two surfaces.

3.1.8 *fretting wear, n*—wear arising as a result of fretting.

3.1.9 *total elemental level, n*—the total weight of particulate matter and corrosion ions generated by fretting wear and fretting corrosion. Most analytical techniques are unable to accurately differentiate between ions and particulates, and therefore, total elemental level refers to all matter and corrosion products released by fretting wear and corrosion.

3.1.10 *wear, n*—damage to a solid surface, generally involving progressive loss of material, due to relative motion between that surface and a contacting substance or substances.

4. Summary of Test Method

4.1 *Method I*—The femoral stem and head components, or coupons to simulate head-taper-neck geometry, are loaded cyclically in a manner similar to that described in Practice

4.2 *Method II*—A coupon similar to that used in Method I, or an entire femoral stem and head construct, may be mounted in an inverted position in a test chamber. The chamber is filled with an electrolyte solution to a level sufficient to submerge the bore and cone interface and a small portion of the exposed neck. The area of contact and articulation between the ball and the test apparatus is isolated from the electrolyte, either by being above the fill level, or with an elastomeric seal used to isolate the bottom of the test chamber.

4.2.1 *Procedure A*—A saturated calomel electrode with a luggin probe is used as a reference electrode to measure changes in the corrosion potential with an electrometer. A counter electrode also may be employed and the polarization characteristics measured with a potentiostat.

4.2.2 *Procedure B*—A large surface area counter electrode is immersed in the solution to simulate the area of the stem. A zero-resistance ammeter is connected between the test device and the counter electrode. The difference in current, thus measured prior to and during cyclic loading, represents the fretting corrosion current flowing between the modular interface (anode) and the metal sheet (cathode).

5. Significance and Use

5.1 The modular interfaces of total joint prostheses are subjected to micromotion that could result in fretting and corrosion. The release of corrosion products and particulate debris could stimulate adverse biological reactions, as well as lead to accelerated wear at the articulation interface. Methods to assess the stability and corrosion resistance of the modular interfaces, therefore, are an essential component of device testing.

5.2 Long-term *in vitro* testing is essential to produce damage and debris from fretting of a modular interface (4,5). The use of proteinaceous solutions is recommended to best simulate the *in vivo* environment.

5.3 Short-term tests often can be useful in evaluations of differences in design during device development (1-4). The electrochemical methods provide semiquantitative measures of fretting corrosion rates. The relative contributions of mechanical and electrochemical processes to the total corrosion and particulate release phenomena, however, have not been established; therefore, these tests should not be utilized to compare the effects of changes in material combinations, but rather be utilized to evaluate design changes of bore (head) and cone (stem) components.

5.4 These tests are recommended for evaluating the fretting wear and corrosion of modular interfaces of hip femoral head

⁶ Available from American National Standards Institute (ANSI), 25 W. 43rd St., 4th Floor, New York, NY 10036.

and stem components. Similar methods may be applied to other modular interfaces where fretting corrosion is of concern.

5.5 These methods are recommended for comparative evaluation of the fretting wear and corrosion of new materials, coatings, or designs, or a combination thereof, under consideration for hip femoral head and neck modular interfaces. Components for testing may be those of a manufactured modular hip device (finished product) or sample coupons, which are designed and manufactured for simulation of the head, taper, and neck region of a modular hip device.

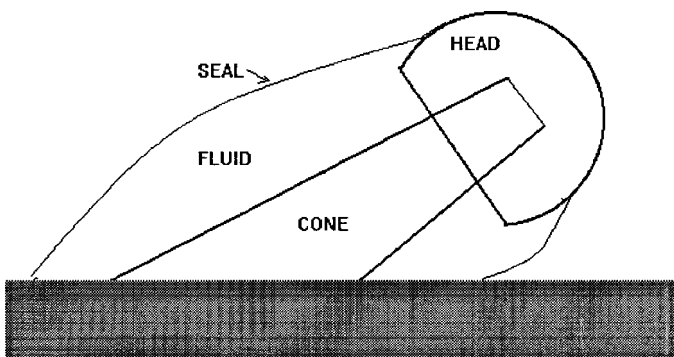
6. Apparatus

6.1 *Testing Machines*—The action of the machine should be analyzed to ensure that the desired form and periodic force amplitude is maintained for the duration of the test (see Practice E467). The test machine should have a load monitoring system, such as the transducer mounted in line with the specimen. The loads should be monitored continuously in the early stages of the test and periodically thereafter to ensure the desired load cycle is maintained. The varying load as determined by suitable dynamic verification should be maintained at all times to within $\pm 2\%$ of the maximum force being used in accordance with Practices E4 and E466.

6.2 *Specimen Mounting Devices, Method I*—Modular hip and stem components shall be set-up as described in Practices F1440. Coupon samples shall be set-up as shown in Fig. 1. The set-up must provide for identical loading geometry as that in Practice F1440.

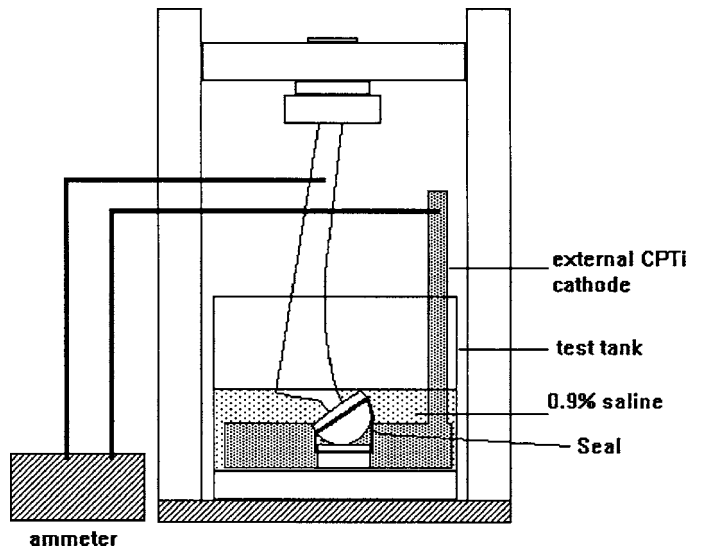
6.3 *Specimen Mounting Devices, Method II*—Modular hip and stem components shall be set-up in an inverted position, as shown in Fig. 2. Coupon samples may be set up as shown in Fig. 1, or in an inverted orientation.

6.4 *Environmental Containment, Method I*—The prosthesis may be placed in an environmental chamber, which is filled with the appropriate fluid. Care should be taken to ensure that the contact area between the head and the low friction thrust bearing is not exposed to the electrolyte solution. The modular interface of the prostheses or coupon samples also may be enclosed in an elastomeric sleeve, which contains the electrolyte. The materials used for such isolation must be nonreactive and capable of retaining the fluid environment, (that is, prevent



NOTE 1—For Method I, the fluid is contained within the sleeve. For Method II, the device should be submerged in an electrolyte while the contact area between the top of the head and the loading apparatus is not exposed to the fluid. A counter electrode is placed in the same bath.

FIG. 1 Sketch of a Coupon Style of Test Specimen



NOTE 1—The cathode sheet surrounds, but does not make contact with the device being tested. For Procedure A, the counter electrode is not utilized, and is substituted with a luggin probe and calomel electrode.

FIG. 2 Suggested Set-Up for Method II Procedure B, Measurements of Fretting Corrosion Currents of a Complete THR

leakage), throughout the course of testing. The volume of the chamber shall be between 5 and 100 mL.

NOTE 1—The use of small fluid volumes with the sleeve containment method may not produce as much fretting corrosion as full prosthesis exposure, due to the reduced surface area of the cathodic metal exposed.

6.5 *Environmental Chamber, Method II*—The chamber shall be filled with electrolyte so as to submerge the modular interface. An elastomeric seal is used to isolate the contact area between the head and the load application surface. Similar seals should be employed for coupon sample testing. For coupons orientated shown in Fig. 1, the chamber fill level shall be kept below the articulation between the head and the loading apparatus.

6.6 *Counter and Reference Electrodes, Method II*—A counter electrode is included in the external circuit of Method II to act as a cathode for measurement of corrosion currents. A reference electrode is employed for measurement of the corrosion potential of the specimen.

6.6.1 *Method II, Procedure A*—The counter electrode and saturated calomel electrode (SCE) shall be employed in accordance with Test Methods G5 and G61.

6.6.2 *Method II, Procedure B*—The counter electrode is used to simulate the surface area of the femoral stem. It should be made of the same alloy as the stem material being tested. A surface area at least equal to the stem and any porous coating should be employed. An area of 400 cm² is recommended. The counter electrode should not be in contact with the test specimen, but rather is connected to it via the zero resistance ammeter.

6.7 *Potential and Current Measuring Equipment, Method II, Procedure A*—The potential shall be measured by a high impedance voltmeter. This could either be a free standing electrometer with an impedance $>10^{10} \Omega$, or the electrometer in a potentiostat in accordance with Test Methods G5 and G61.