



**SLOVENSKI STANDARD**  
**SIST EN 2240-051:2011**  
**01-november-2011**

---

**Aeronavtika - Žarnice - 051. del: Žarnica, kod 1163 - Standard za izdelek**

Aerospace series - Lamps, incandescent - Part 051: Lamp, code 1163 - Product standard

Luft- und Raumfahrt - Glühlampen - Teil 051: Lampe, Kode 1163 - Produktnorm

Série aérospatiale - Lampes à incandescence - Partie 051 : Lampe, code 1163 - Norme de produit

**STANDARD PREVIEW**  
**(standards.iteh.ai)**

**Ta slovenski standard je istoveten z: EN 2240-051:2011**

SIST EN 2240-051:2011  
<https://standards.iteh.ai/catalog/standards/sist/9aa4dc07-09dc-4689-93e7-93f12d9f18be/sist-en-2240-051-2011>

---

**ICS:**

49.060	Letalska in vesoljska električna oprema in sistemi	Aerospace electric equipment and systems
--------	--	--

**SIST EN 2240-051:2011**

**en,de**

**iTeh STANDARD PREVIEW**  
**(standards.iteh.ai)**

[SIST EN 2240-051:2011](#)

<https://standards.iteh.ai/catalog/standards/sist/9aa4dc07-09dc-4689-93e7-93f12d9f18be/sist-en-2240-051-2011>

EUROPEAN STANDARD

**EN 2240-051**

NORME EUROPÉENNE

EUROPÄISCHE NORM

February 2011

ICS 49.060

English Version

**Aerospace series - Lamps, incandescent - Part 051: Lamp, code  
1163 - Product standard**Série aérospatiale - Lampes à incandescence - Partie 051 :  
Lampe, code 1163 - Norme de produitLuft- und Raumfahrt - Glühlampen - Teil 051: Lampe, Kode  
1163 - Produktnorm

This European Standard was approved by CEN on 27 November 2010.

CEN members are bound to comply with the CEN/CENELEC Internal Regulations which stipulate the conditions for giving this European Standard the status of a national standard without any alteration. Up-to-date lists and bibliographical references concerning such national standards may be obtained on application to the CEN-CENELEC Management Centre or to any CEN member.

This European Standard exists in three official versions (English, French, German). A version in any other language made by translation under the responsibility of a CEN member into its own language and notified to the CEN-CENELEC Management Centre has the same status as the official versions.

CEN members are the national standards bodies of Austria, Belgium, Bulgaria, Croatia, Cyprus, Czech Republic, Denmark, Estonia, Finland, France, Germany, Greece, Hungary, Iceland, Ireland, Italy, Latvia, Lithuania, Luxembourg, Malta, Netherlands, Norway, Poland, Portugal, Romania, Slovakia, Slovenia, Spain, Sweden, Switzerland and United Kingdom.

[SIST EN 2240-051:2011](https://standards.iteh.ai/catalog/standards/sist/9aa4dc07-09dc-4689-93e7-93f12d9f18be/sist-en-2240-051-2011)

<https://standards.iteh.ai/catalog/standards/sist/9aa4dc07-09dc-4689-93e7-93f12d9f18be/sist-en-2240-051-2011>

EUROPEAN COMMITTEE FOR STANDARDIZATION  
COMITÉ EUROPÉEN DE NORMALISATION  
EUROPÄISCHES KOMITEE FÜR NORMUNG**Management Centre: Avenue Marnix 17, B-1000 Brussels**

**Contents**

Page

Foreword.....	3
1 Scope .....	4
2 Normative references .....	4
3 Required characteristics.....	5
4 Designation .....	6
5 Marking .....	6
6 Technical specification .....	6

**iTeh STANDARD PREVIEW**  
**(standards.iteh.ai)**

[SIST EN 2240-051:2011](https://standards.iteh.ai/catalog/standards/sist/9aa4dc07-09dc-4689-93e7-93f12d9f18be/sist-en-2240-051-2011)

<https://standards.iteh.ai/catalog/standards/sist/9aa4dc07-09dc-4689-93e7-93f12d9f18be/sist-en-2240-051-2011>

## Foreword

This document (EN 2240-051:2011) has been prepared by the Aerospace and Defence Industries Association of Europe - Standardization (ASD-STAN).

After enquiries and votes carried out in accordance with the rules of this Association, this Standard has received the approval of the National Associations and the Official Services of the member countries of ASD, prior to its presentation to CEN.

This European Standard shall be given the status of a national standard, either by publication of an identical text or by endorsement, at the latest by August 2011, and conflicting national standards shall be withdrawn at the latest by August 2011.

Attention is drawn to the possibility that some of the elements of this document may be the subject of patent rights. CEN [and/or CENELEC] shall not be held responsible for identifying any or all such patent rights.

According to the CEN/CENELEC Internal Regulations, the national standards organizations of the following countries are bound to implement this European Standard: Austria, Belgium, Bulgaria, Croatia, Cyprus, Czech Republic, Denmark, Estonia, Finland, France, Germany, Greece, Hungary, Iceland, Ireland, Italy, Latvia, Lithuania, Luxembourg, Malta, Netherlands, Norway, Poland, Portugal, Romania, Slovakia, Slovenia, Spain, Sweden, Switzerland and the United Kingdom.

**ITEH STANDARD PREVIEW**  
**(standards.iteh.ai)**

[SIST EN 2240-051:2011](https://standards.iteh.ai/catalog/standards/sist/9aa4dc07-09dc-4689-93e7-93f12d9f18be/sist-en-2240-051-2011)

<https://standards.iteh.ai/catalog/standards/sist/9aa4dc07-09dc-4689-93e7-93f12d9f18be/sist-en-2240-051-2011>

**EN 2240-051:2011 (E)****1 Scope**

This European Standard specifies the required characteristics for lamp, code 1163, for aerospace applications.

It shall be used together with EN 2756.

**2 Normative references**

The following referenced documents are indispensable for the application of this document. For dated references, only the edition cited applies. For undated references, the latest edition of the referenced document (including any amendments) applies.

EN 2240-001, *Aerospace series — Lamps, incandescent — Part 001: Technical specification*

EN 2240-002, *Aerospace series — Lamps, incandescent — Part 002: Main characteristics*

EN 2241, *Aerospace series — Lamp caps — Dimensions*

EN 2756, *Aerospace series — Lamps, incandescent — Test methods*

**iTeh STANDARD PREVIEW**  
**(standards.iteh.ai)**

[SIST EN 2240-051:2011](https://standards.iteh.ai/catalog/standards/sist/9aa4dc07-09dc-4689-93e7-93f12d9f18be/sist-en-2240-051-2011)

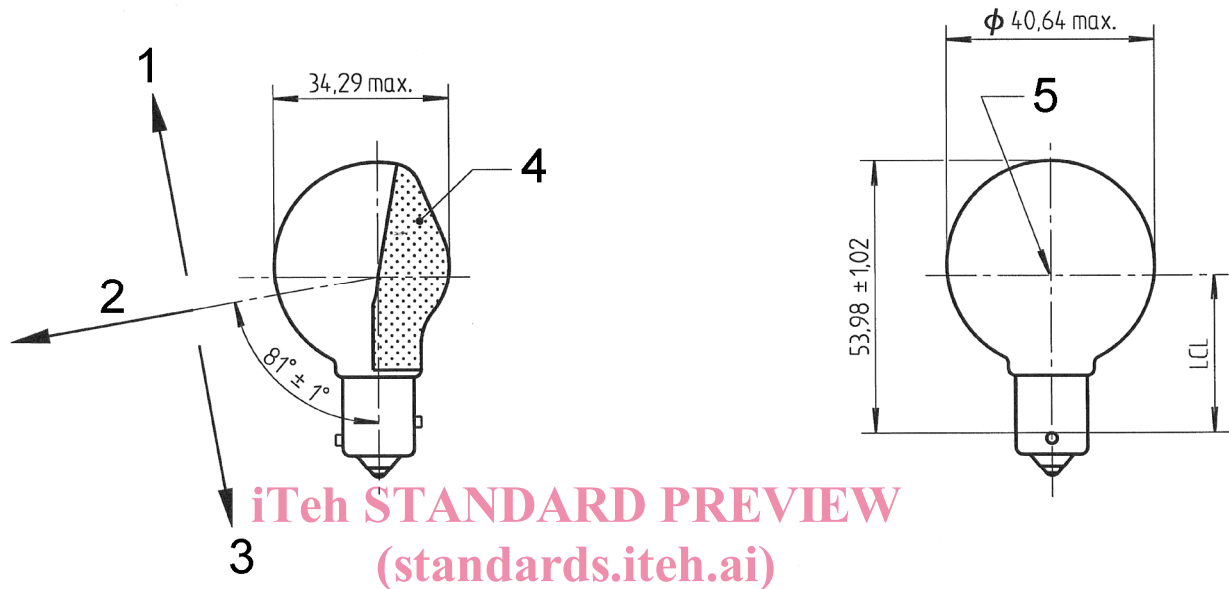
<https://standards.iteh.ai/catalog/standards/sist/9aa4dc07-09dc-4689-93e7-93f12d9f18be/sist-en-2240-051-2011>

### 3 Required characteristics

#### 3.1 Dimensions and mass

See Figure 1 and Table 1.

Dimensions are given in millimetres.



#### Key

- 1 Outboard
- 2 Flight axis
- 3 Inboard

SIST EN 2240-051:2011  
<https://standards.iteh.ai/catalog/standards/sist/9a44c07-09dc-4689-93e7-93f12d9f18be/sist-en-2240-051-2011>

**Figure 1**

**Table 1**

Bulb appearance		Silvered
Nominal voltage	V	6,2
Nominal current	A	6,45
Nominal power	W	40
Luminous intensity	cd	See Table 2
Colour temperature	K	2 900
Life	Static with d.c.	h 300
	Dynamic with d.c.	h 250
	Static with a.c.	h 400
Reduced voltage	V	–
Luminous flux at reduced voltage	lm	–
Form of filament		C - 6
Light Centre Length (LCL)		31,75 ± 1
Mass (for 1 000)	kg	12

**EN 2240-051:2011 (E)****3.2 Other characteristics**

See Table 1 and Table 2.

**Table 2**

	Light distribution					
	In horizontal plane containing flight axis			In vertical plane containing flight axis Above and below flight axis		
Angle of distribution	from 4° inboard to 30° outboard	from 30° outboard to 50° outboard	from 50° outboard to 100° outboard	from 0° to 20°	from 20° to 40°	from 40° to 85°
Luminous intensity	300 cd min.	150 cd min.	50 cd min.	300 cd min.	60 cd min.	20 cd min.

**3.3 Form of filament**

See EN 2240-002.

**3.4 Cap**

BAY15s/19: see EN 2241.

**iTeh STANDARD PREVIEW**  
(standards.iteh.ai)

**4 Designation**

EXAMPLE

[SIST EN 2240-051:2011](https://standards.iteh.ai/catalog/standards/sist/9aa4dc07-09dc-4689-93e7-93f7d9f8be/sist-en-2240-051-2011)  
<https://standards.iteh.ai/catalog/standards/sist/9aa4dc07-09dc-4689-93e7-93f7d9f8be/sist-en-2240-051-2011>

Description block	Identity block
LAMP, INCANDESCENT	EN2240-1163

Number of the basic standard \_\_\_\_\_

Code (see EN 2240-002) \_\_\_\_\_

NOTE If necessary, the code I9005 should be placed between the description block and the identity block.

**5 Marking**

Unless there is not enough space, the lamp and its packaging shall be marked with the international code number such as indicated in EN 2240-002.

**6 Technical specification**

See EN 2240-001.